

1.3 Megapixel Infrared 20x Zoom PTZ Dome

Model: VSIP1MPPTZIR



Ideal for large surveillance areas, this speed dome offers more than just rapid response PTZ functionality, featuring recording at the edge and up to 100m infrared range.

Camera Features

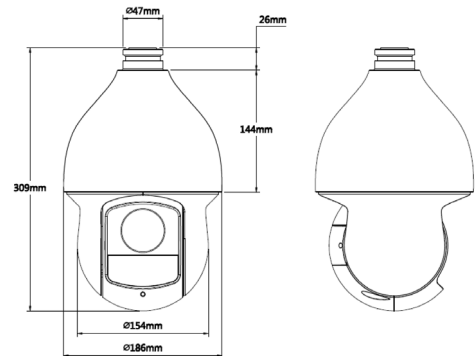
- Stream up to 1.3 megapixel (1280 x 960) at 25fps
- 4.7 ~ 94.0mm 20x zoom lens with 54.1 ~ 3.2° viewing angles
- Day/night (auto ICR) with 100m maximum infrared range
- Backlight/highlight compensation with digital WDR
- MicroSD card slot for at-the-edge recording, up to 64GB
- Endless 360° panning with -15 ~ 90° tilt adjust; auto-flip 180°
- Configure PTZ patterns, tours, auto-panning/scanning
- Audio and alarm interface input/outputs
- IP66 weather resistant housing for external use
- ONVIF, PSIA and CGI compliance

Compatible Accessories

Accessories sold separately, adapters may be required.



Model		VSIP1MPPTZIR
General		
Camera Style	Weather Resistant PTZ Dome	
Image Sensor	1/3" 1.3 Megapixel Progressive Scan CMOS	
Effective Pixels	1280 (H) x 960 (V)	
Signal Noise Ratio	> 55dB	
Camera		
Lens	4.7 ~ 94mm Motorised Lens (20x Optical Zoom)	
Angle of View	54° (wide) ~ 3° (tele)	
Electronic Shutter	Auto / Manual (1/1 ~ 1/30000s)	
Minimum Illumination	0.05 Lux at F1.4 (Colour) / 0.005 Lux at F1.4 (B&W)	
Day/Night	Auto (ICR) / Colour / B&W	
White Balance	Auto / ATW / Indoor / Outdoor / Manual	
Noise Reduction	2D / 3D Ultra Digital Noise Reduction	
Gain Control	Auto / Manual	
Backlight Compensation	BLC / HLC / DWDR	
Audio Input	1 ch. Input / 1ch. Output	
Audio Compression	G.711a / G.711u / PCM	
Alarm Interface	2 ch. input / 1 ch. output	
Network Interface	RJ45 (10/100 Base-T)	
Memory Slot	MicroSD slot up to 64GB	
Bit Rate	H.264: 448K ~ 8192Kbps	
ONVIF Conformance	ONVIF, PSIA, CGI Compliant	
Smart Functions	N/A	
Video		
Video Compression	H.264 / MJPEG	
Resolution	Configurable from 1.3MP (1280 x 960) to CIF (352 x 288)	
Frame Rate	Main	1.3MP and lower (1 ~ 25fps)
	Sub	D1 and lower (1 ~ 25fps)
	Third	N/A
Video Output	N/A	
PTZ		
Pan / Tilt Range	Pan: 0 ~ 360° (endless) / Tilt: -15 ~ 90° / Auto-flip 180°	
Preset Speed	Pan: 400°/s; Tilt: 300°/s	
Manual Speed	Pan: 0.1 ~ 300°/s; Tilt: 0.1 ~ 200°/s	
PTZ Mode	5 Pattern, 8 Tour, Auto Pan, Auto Scan	
Presets	Up to 300	
Speed Setup	Human oriented speed & focal length adaptation	
Start-up Action	Auto-restore to previous PTZ/lens status	
Environment		
Ingress Protection	IP66	
Vandal Resistant	N/A	
Maximum Infrared Range	80m (12VDC) / 100m (24VAC)	
Power Input	12VDC / 24VAC / PoE+ (802.3at)	
Power Consumption	< 23W	
Dimensions	Ø186 x 309mm	
Weight	3.5kg	
Operating Environment	-30° to 60°C / RH90% (max)	
Product Dimensions		



Your local VIP Vision™ professional: