

Triple Clamp Pole Mount Camera Bracket

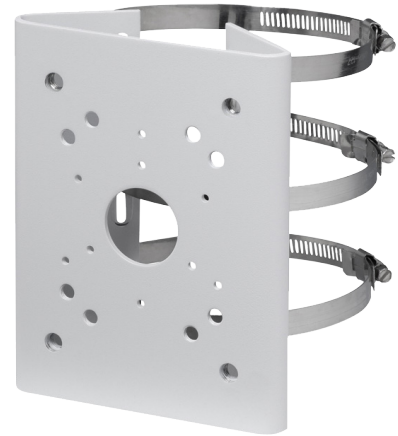
Model: VSBKTA150

Technical Specifications

Heavy duty coated SECC pole mount bracket for large surveillance cameras with three clamps.

Model	VSBKTA150
Materials	SECC
Dimensions	130 x 170 x 45mm
Pipe Thread	N/A
Operating Conditions	-40° ~ 60°C / 90% RH (max)
Load Bearing Capacity	10.00kg
Weather Resistance	N/A
Weight	1.00kg

Product specifications and bracket compatibility are subject to change.



Bracket Compatibility

This bracket is compatible with the following cameras from VIP Vision and/or Securview Victory Series.



VIP Vision™ IP Surveillance Cameras

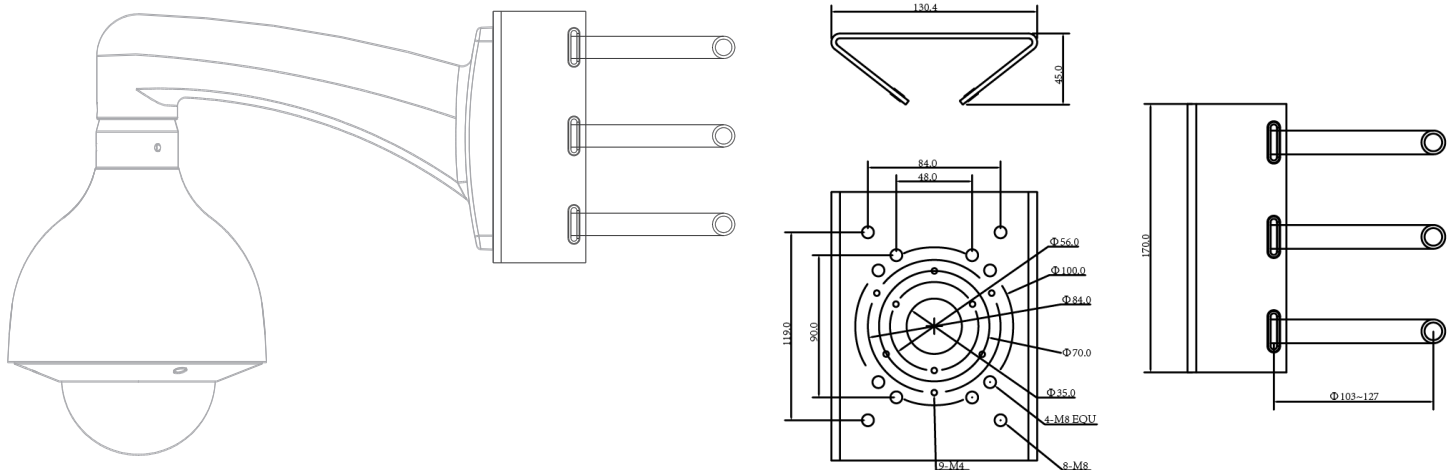
Directly compatible with VSIP3/5MPFBIRM/V2. Compatible with VSIP1/3MPPTZIR via included wall mount brackets.



Securview Victory Series™ HD Over Coax Cameras

No compatible models.

Product Diagrams



Your professional CCTV surveillance dealer: