

220mm Extender for Ceiling Mount Bracket

Model: VSBKTA112

Technical Specifications

Powder coated aluminium extender for ceiling mount brackets for surveillance cameras.

Model	VSBKTA112
Materials	Aluminium
Dimensions	Ø53 x 220mm
Pipe Thread	1½" PF
Operating Conditions	-40° ~ 60°C / 90% RH (max)
Load Bearing Capacity	N/A
Weather Resistance	N/A
Weight	0.50kg

Product specifications and bracket compatibility are subject to change.



Bracket Compatibility

This bracket is compatible with the following cameras from VIP Vision and/or Securview Victory Series.



VIP Vision™ IP Surveillance Cameras

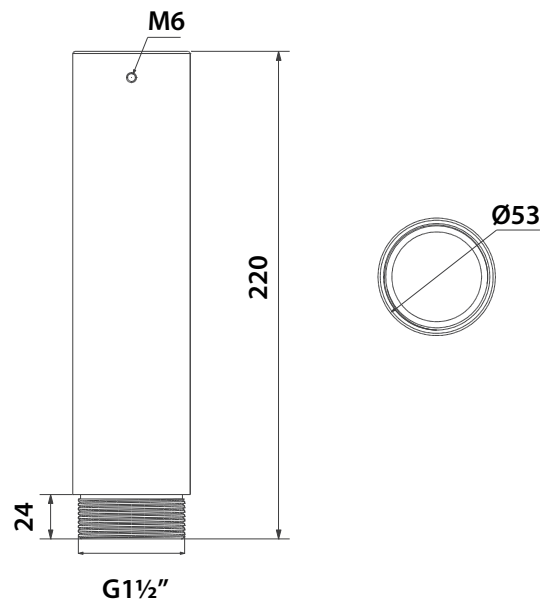
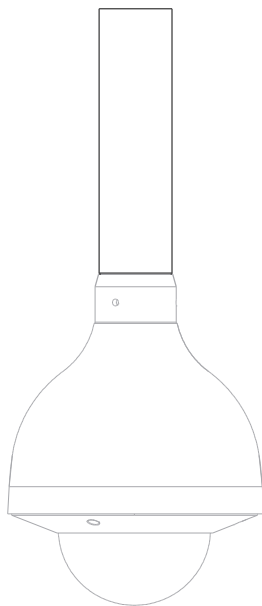
Extender compatible only with VSBKTB300C.



Securview Victory Series™ HD Over Coax Cameras

Extender compatible only with VSBKTB300C.

Product Diagrams



Your professional CCTV surveillance dealer: