

# Adapter/Junction Box for Surveillance Cameras

Model: VSBKTA130

## Technical Specifications

Aluminium adapter/junction box used as a spacer or as connector for corner & pole mounts.

|                              |                            |
|------------------------------|----------------------------|
| <b>Model</b>                 | <b>VSBKTA130</b>           |
| <b>Materials</b>             | Aluminium / SECC           |
| <b>Dimensions</b>            | Ø138 x 42mm                |
| <b>Pipe Thread</b>           | N/A                        |
| <b>Operating Conditions</b>  | -40° ~ 60°C / 90% RH (max) |
| <b>Load Bearing Capacity</b> | 3.00kg                     |
| <b>Weather Resistance</b>    | N/A                        |
| <b>Weight</b>                | 0.38kg                     |

Product specifications and bracket compatibility are subject to change.



## Bracket Compatibility

This bracket is compatible with the following cameras from VIP Vision and/or Securview Victory Series.



### VIP Vision™ IP Surveillance Cameras

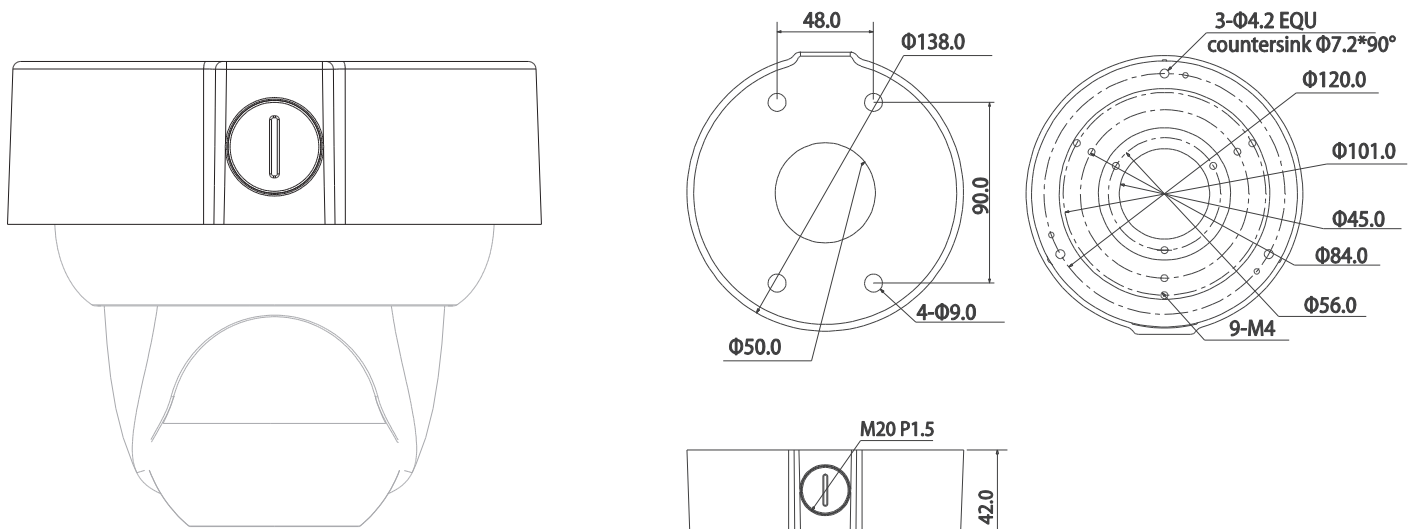
As junction box or as adapter for corner & pole mount brackets.  
Compatible models: VSIP1/3MPDIRV2, VSIP1/3MPVDMINIIRC, VSIP1/3MPFBIR/MINIIRV2, VSIP3/5MPFBIR/MV2.



### Securview Victory Series™ HD Over Coax Cameras

As junction box or as adapter for corner & pole mount brackets.  
Compatible models: VSCV11/2MPFBIRV2, VSCV11/2MPDIRV2.

## Product Diagrams



Your professional CCTV surveillance dealer: