



## LA SERIES

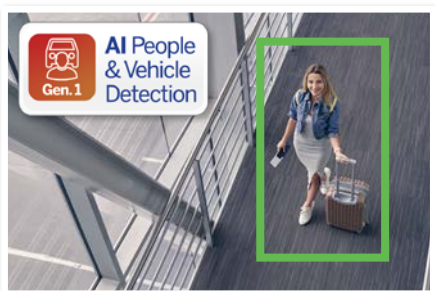
# AI Protection for Home & Business

Network surveillance kits with AI cameras, available in 4 and 8 channels

The Watchguard™ LA Series surveillance kits are high performing CCTV systems, with AI human & vehicle detection, ideal for homes and small businesses. These CCTV kits includes a built-in PoE NVR and weather rated AI turret dome cameras, capable of recording 24/7 day & night at 6.0 megapixels, triple that of Full-HD 1080p image resolution.

## SERIES HIGHLIGHTS

- 4 or 8 channel NVR kits with HDD and 4 cameras
- Records up to 6.0MP (3072 x 2048 pixels) at 20fps
- Up to 30m infrared range; true day/night (auto ICR)
- IP67 weather rated, full-metal camera housing
- 2TB Seagate SkyHawk HDD for weeks of recording
- AI human/vehicle detection up to 6m/9m (2.8mm lens)
- Built-in Power over Ethernet (PoE) for easy installation
- Native Ultra HD live view on monitors via HDMI



AI Human & Vehicle Detection



Built In Power Over Ethernet



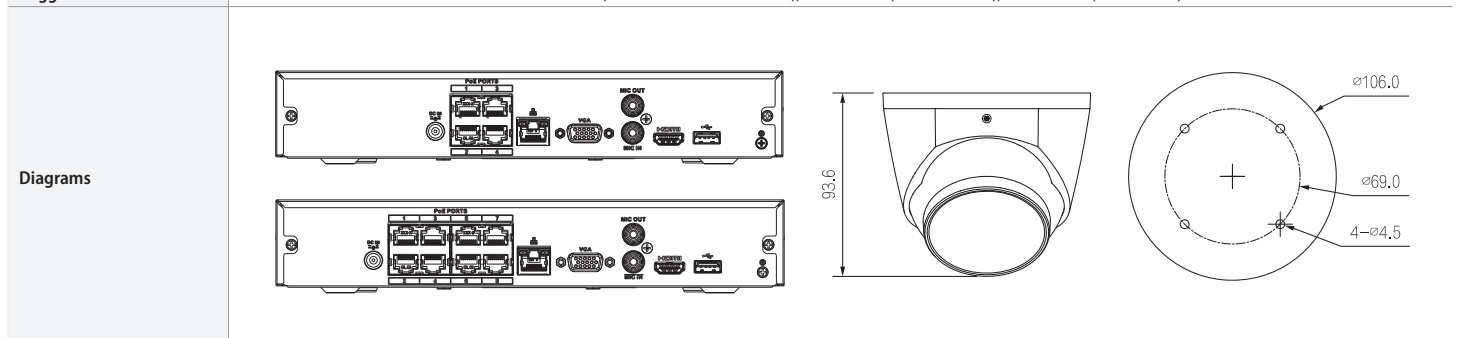
Remote View From Your Device

## SERIES SPECIFICATIONS

The Watchguard™ LA Series offers 4 and 8 channel AI network surveillance packages, purpose-built for rapid installation and impressive results. Choose from two comprehensive, ready to install packages.



NVR Models	NVR-L41	NVR-L81
Kit Configuration	4 Channel 4-Port PoE NVR with 2TB SkyHawk HDD	8 Channel 8-Port PoE NVR with 2TB SkyHawk HDD
Video Input	4 Channel	8 Channel
Video Output	1 x HDMI (Up to 3840 x 2160), 1 x VGA (Up to 1920 x 1080)	
Recording Resolution	Configurable from 8.0MP (3840 x 2160) to CIF (352 x 288)	
Decoding Capacity	4 Channels at 4.0MP (2688 x 1520)	8 Channels at 2.0MP / 1080p (1920 x 1080)
Video Compression	H.265+ / H.265 / H.264+ / H.264	
Internal HDD	1 x SATA III port, up to 20TB HDD supported (environment dependent)	
AI Functionality	<b>Supports AI Camera Functions Only</b> (incl. Human/Vehicle Detection, Face Detection, Face Recognition, People Counting, Heat Map)	
Interface	2 x USB (1 front, 1 rear), 1 x 100M Network Port, 1 x Audio I/O (RCA)	2 x USB (1 front, 1 rear), 1 x 1000M Network Port, 1 x Audio I/O (RCA)
Power Supply	53VDC 1.22A, 36W Max PoE Output, <10W Power Output (no HDD)	53VDC 1.81A, 72W Max PoE Output, <10W Power Output (no HDD)
Weight & Dimensions	0.87kg (Net), 260 x 233 x 48mm (WxDxH)	0.92kg (Net), 260 x 233 x 48mm (WxDxH)
Remote View	iOS (iPhone, iPad) / Android devices	
Camera Model	VSIPL-6DIRG-I	
Kit Configuration	4 x 6.0MP AI Turret Dome Cameras with Infrared	
Image Sensor & Lens	1/2.7" CMOS and 2.8mm Fixed Lens (111° Horizontal View Angle)	
ROM/RAM	128MB / 256MB	
Minimum Illumination	F1.6 Max Aperture, 0.007lx@F1.6 (Colour), 0.0007lx@F1.6 (B&W)	
Video Resolution	<b>Main:</b> 6.0MP (3072 x 2048) at 1~20fps, 4.0MP (2688 x 1520) at 1~25fps / <b>Sub:</b> 704 x 576 at 1~25fps	
Video Compression	H.265+ / H.265 / H.264+ / H.264 (Smart Codec supported)	
Infrared Distance	Up to 30m, single LED illuminator	
Housing	Configurable from 8.0MP (3840 x 2160) to CIF (352 x 288)	
AI Functionality	AI Human/Vehicle Detection (via Smart Motion Detection & IVS Tripwire/Intrusion rules), Up to 6m Person / 9m vehicle detection distance (2.8mm lens, daytime)	
Interface	Built-in Microphone, MicroSD slot (up to 256GB), PoE/Data Network Port	
Image Control	BLC, HLC, True WDR (120dB), White Balance	
Power Supply	12VDC Input or PoE (802.3af), Max Power Consumption <5W	
Housing	IP67 Weather Rated Full Metal Enclosure	
Suggested Products	Junction Box (VSBKTA130E / VSBKTA139), Wall Mount (VSBKTB204W), Pole Mount (VSBKTB152E)	



Your local Watchguard™ IP surveillance professional: