

Adapter/Junction Box for Surveillance Cameras

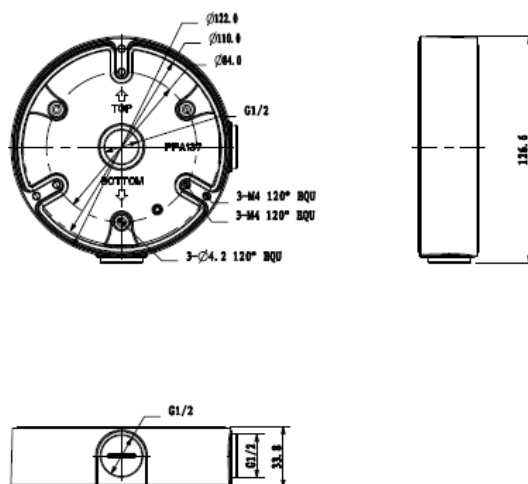
Model: VSBKTA137

Aluminium adapter/junction box used as a spacer or as connector for corner & pole mounts.

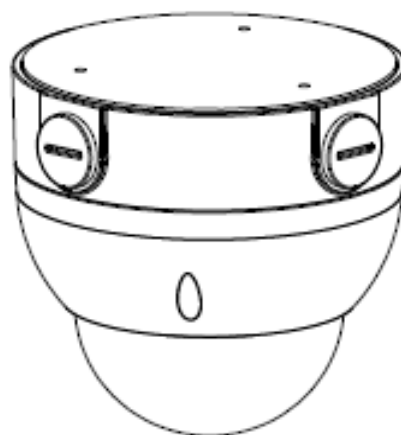
Model	VSBKTA137
Materials	Aluminum
Dimensions	Ø122 x 34mm
Pipe Thread	M20 (G1 1/2")
Operating Conditions	-40° ~ 60°C / 90% RH (max)
Load Bearing Capacity	1.00kg
Weather Resistance	Yes
Weight	0.18kg

Bracket Compatibility

This bracket is compatible with the following cameras from VIP Vision and/or Securview Victory Series.



Additional camera brackets, adapters, junction boxes or connectors may be required for camera compatibility. Please see full bracket compatibility reference for more detail.



Your professional CCTV surveillance dealer: