

Right Angle Wall Mount Camera Bracket

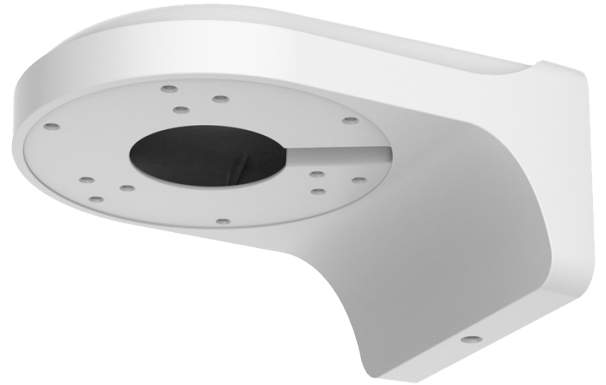
Model: VSBKTB200W

Technical Specifications

Compact right angle wall mount bracket. Not completely weather-sealed. Recommended for indoor use only.

Model	VSBKTB200W
Materials	Aluminium / ABS
Dimensions	160 x 120 x 74mm
Pipe Thread	N/A
Operating Conditions	-40° ~ 60°C / 90% RH (max)
Load Bearing Capacity	1.00kg
Weather Resistance	Yes
Weight	0.35kg

Product specifications and bracket compatibility are subject to change.



Bracket Compatibility

This bracket is compatible with the following cameras from VIP Vision and/or Securview Victory Series.



VIP Vision™ IP Surveillance Cameras

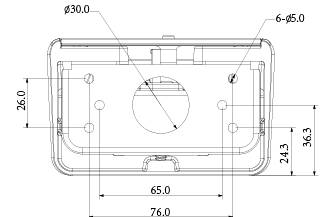
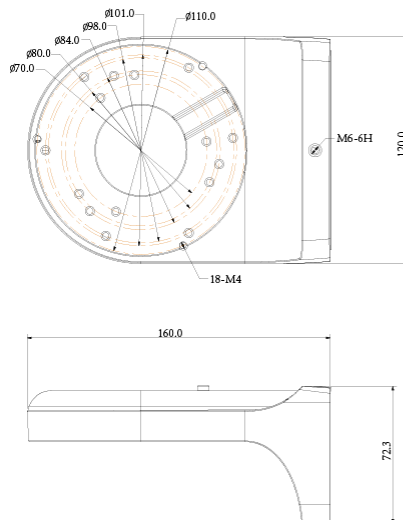
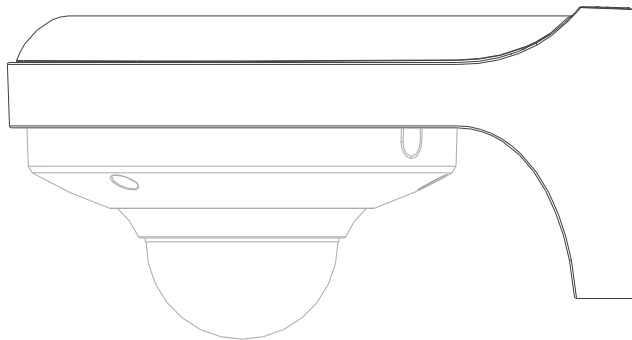
VSIP1/3MPDIR/V2, VSIP1/3MPVDMINIIRC, VSIP3MPVDMINIIR, VSIP3MPVDMINI3.6, VSIP1MPVDIRM, VSIP3MPVDIRM2.8-12.



Securview Victory Series™ HD Over Coax Cameras

VSCV11/2MPVDIRM, VSCV11/2MPVDIR, VSCV11/2MPDIR/V2.

Product Diagrams



Your professional CCTV surveillance dealer: