

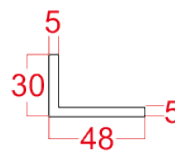
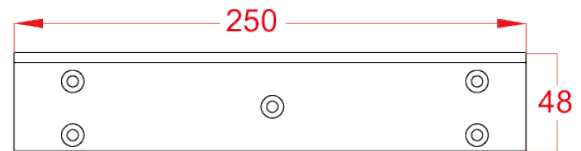
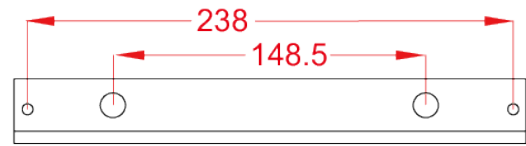
L-Z BRACKETS - MAGLOC-LZ100



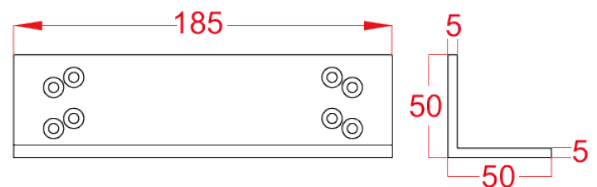
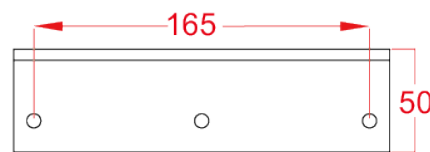
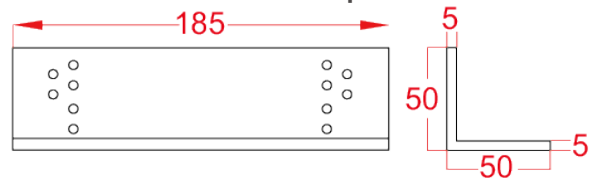
MAGLOC-LZ100



L-Brackets for lock body



Z-Brackets for armature plate



▼ ORDERING INFORMATION

EXAMPLE :

- MAGLOC-LZ100

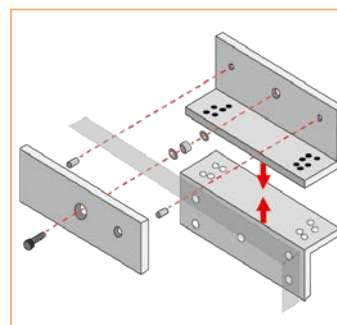
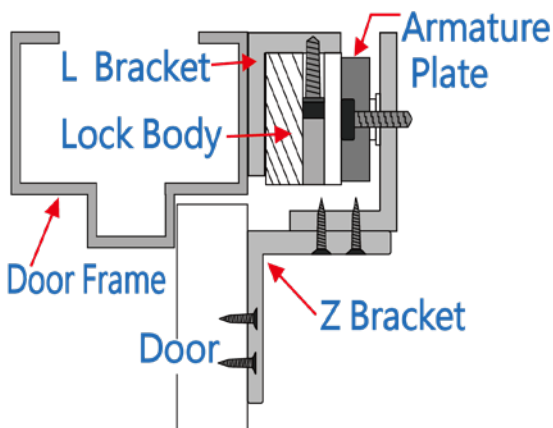
▼ SPECIFICATION

- Material : Aluminum
- Finish : Anodized Finish

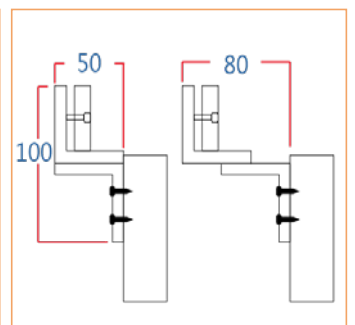
▼ FEATURES

- Easy to locate the armature plate and the magnet
- Collocation with electromagnetic locks to fit with customers' installation environments
- Applicable for in-swing door

▼ INSTALLATION



• Installation of L - Z Brackets



• Adjustment installation of L-Z Brackets