

Right Angle Wall Mount Camera Bracket

Model: VSBKTB201W

Technical Specifications

Heavy duty, powder coated aluminium right angle wall mount bracket for surveillance cameras.

Model: VSBKTB201W	
Materials	Aluminium
Dimensions	250 x 160 x 155mm
Pipe Thread	N/A
Operating Conditions	-40° ~ 60°C / 90% RH (max)
Load Bearing Capacity	2.0kg
Weight	0.65kg



Product specifications and bracket compatibility are subject to change.

Bracket Compatibility

This bracket is compatible with the following cameras from VIP Vision and/or Securview Victory Series.

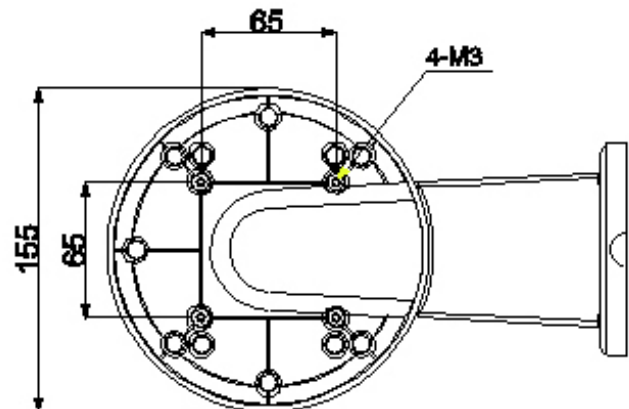
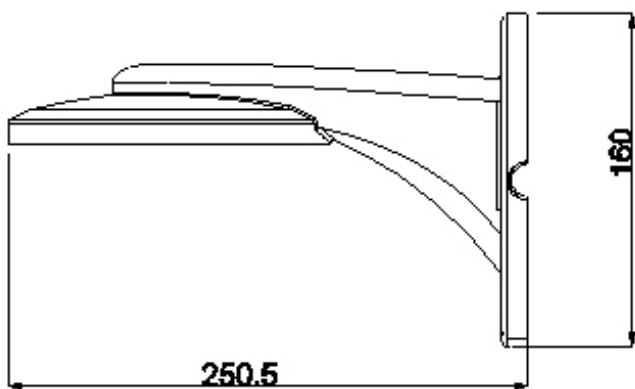


VIP Vision™ IP Surveillance Cameras
VSIP3MPVDIR (version 1 only).



Securview Victory Series™ HD Over Coax Cameras
No compatible models.

Product Diagram



Your professional CCTV surveillance dealer: