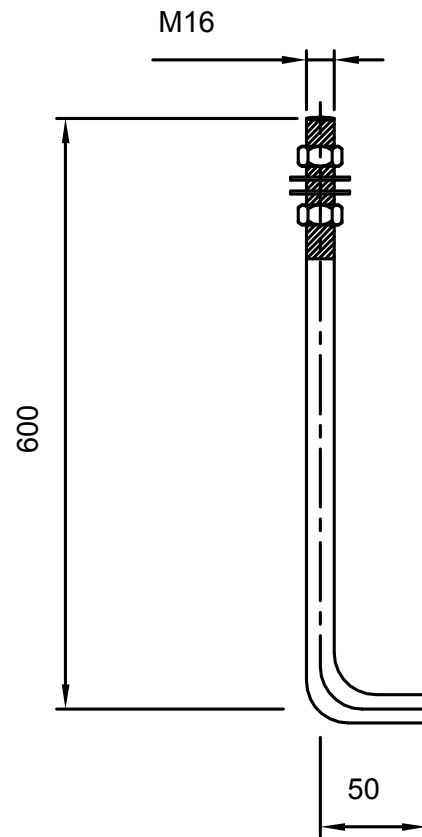
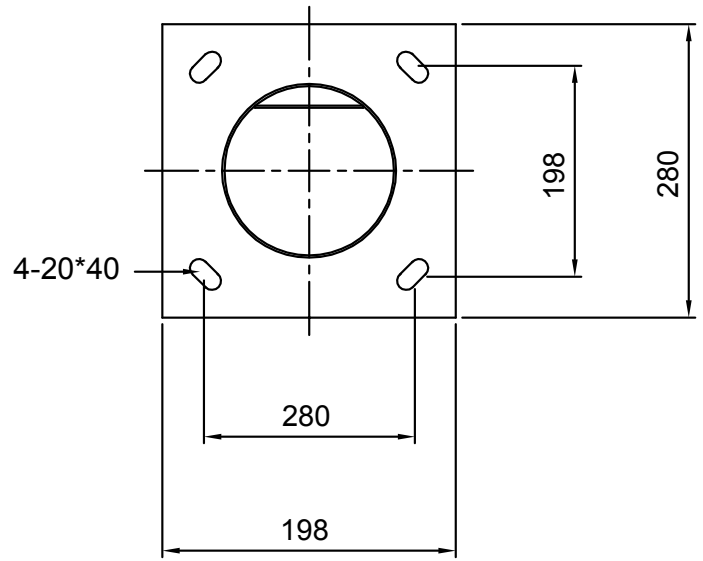


**BASE PLATE**



**NOTES:**

1. ALL DIMENSIONS ARE IN MM.
2. HOT DIP GALVANIZING FINISH TO BS-729 / ISO:1461.