



Vehicle video evidence.

AI Traffic Series: Motorised Lens 2.0MP & 4.0MP bullet camera with AI-enhanced ANPR

Specially designed for number plate enhancement, Traffic AI Series number plate cameras are designed to obtain video evidence with vehicle identification in controlled environments with challenging lighting conditions. Enhanced with AI, this series has superior plate recognition compared to earlier ANPR models and additional smart features.

- Stream up to 4.0MP (2688 x 1520) at 25fps
- 10 ~ 50mm motorised lens (41~ 9°, DC auto iris)
- Automatic number-plate recognition (ANPR)
- AI-enhanced plate capture and vehicle detection
- Edge enhancement for number plate detail & legibility
- Supports shutter speed windowing; set min/max speed
- Capture vehicles details going up to 60km
- Identify details including vehicle model, colour, series, logo, vehicles without number plates & more
- IP67 weather & vandal resistant metal housing



Automatic Number Plate Recognition



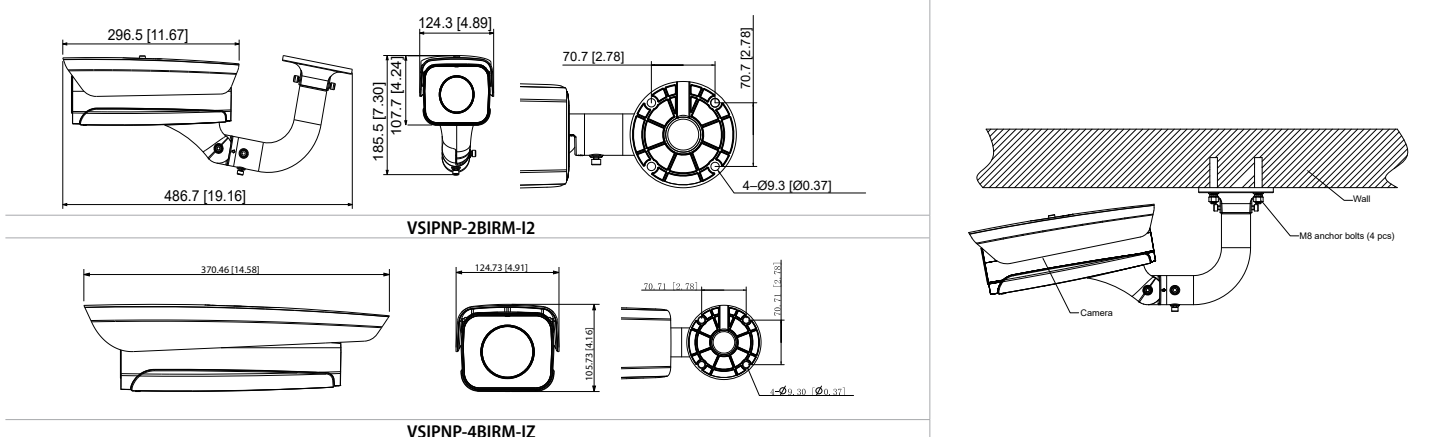
Detailed OSD Configuration



Vehicle Data Structuring with AI

Specifications		2.0MP Number Plate Bullet + AI Enhanced ANPR	2.0MP Number Plate Bullet + AI Enhanced ANPR	
Ordering Information		VSIPNP-2BIRM-I2	VSIPNP-4BIRM-I2	
Camera	Image Sensor	1/2.8" 2.0MP Progressive Scan CMOS	1/1.8" 4.0MP Progressive Scan CMOS	
	Effective Pixels	1920 (H) x 1080 (V)	2688 (H) x 1520 (V)	
	RAM / ROM		N/A	
	Min Illumination	0.002 Lux/F1.3 (Color), 0 Lux/F1.3 (IR on)	0.002 Lux/F1.3 (Color), 0 Lux/F1.3 (IR on)	
	S/N Ratio		N/A	
Lens	Infrared System	6 x Infrared LED, 12m range, Auto/manual on/off control	6 x Infrared LED, 30m range, Auto/manual on/off control	
	Lens / Iris	3.2 ~ 10.5mm Motorised Varifocal Lens with Auto Iris	10 ~ 50mm Motorised Varifocal Lens with Auto Iris	
	Field of View	Horizontal: 108°~30°, Vertical: 56°~17°, Diagonal: 131°~35°	Horizontal: 41°~9°, Vertical: 23°~5°, Diagonal: 47°~11°	
Focus		Auto Focus		
Video	Resolution	1080p (1920 x 1080) to D1 (704 x 576)	4.0MP (2688 x 1520) to CIF (352 x 288, 352 x 240)	
	Frame Rate	Main	1080p (1 ~ 25fps)	4.0MP (1 ~ 25fps)
		Sub	720p (1 ~ 25fps)	720p (1 ~ 25fps)
		Third		N/A
	Video Compression	H.265 / H.264M / H.264H / H.264B / MJPEG	H.264B / H.264M / H.264H / H.265 / MJPEG	
	Bit Rate	H.264/H.265: 32 ~ 32768Kbps / MJPEG: 512 ~ 65536Kbps	H.264B: 32 Kbps~32768 Kbps / MJPEG: 512 Kbps~65536 Kbps	
	Bit Rate Control	Constant bit rate (CBR) / Variable bit rate (VBR)		
	Day/Night	Auto (ICR) / Colour / B&W		
	Lighting Compensation	WDR (96dB)		
	White Balance	Auto / Manual		
Gain Control	Auto / Manual			
Noise Reduction	3D DNR			
Picture Control	N/A			
IVS	Intelligent Functions	Number Plate Edge Enhancement, Number Plate Recognition, Video Detection, I/O Coil, Snapshot, OSD (Time, Location, Number Plate, Lane No.), Barrier Control (1ch Relay Out), Vehicle Data Structuring (Speed, Colour, Type etc.)		
	Vehicle Recognition	Vehicle Type, Speed, Logo, Series, Color, Number Plate, Size, Features of Driver and Front-seat Passenger, Vehicles without Plate. Vehicle recognition rate ≥95%		
	Detection Range / Rate	Capture Range: 3~6m / Lane Width: 3~4m / Detection Rate: ≥99%	Capture Range: 8~30m / Lane Width: 6~7m / Detection Rate: ≥99%	
Max. Detection Speed	30km/h	60km/h		
Network	Ethernet	RJ-45 (100/1000 Base-T)		
	Streaming Method	Unicast / Multicast		
	Max. User Access	20 Users		
	Video Interface	N/A		
Interface	Audio Interface	1 Input / 1 Output		
	Alarm Interface	3 Input / 3 Output		
	Auxiliary Input/Output	2 x RS485 / 1 x RS232 / 1 x Analog Output		
	Edge Storage	FTP / Micro SD Card (supports max. 128GB)		
	Interoperability	N/A		
Environmental	Power Supply	12VDC / 24VAC / PoE+ (802.3at)		
	Power Consumption	<20W		
	Operating Conditions	-30° ~ +65° C / Less than 90% RH		
	Ingress Protection	IP67		
	Vandal Resistance	N/A		
	Housing	Metal & plastic, Installed with bracket (Ø14 lens mount)	Metal & plastic, Installed with bracket	
	Pan/Tilt/Rotation	N/A		
Dimensions	487 x 124 x 186mm (with bracket)	515.2 x 124.7 x 183.2mm (with bracket)		
Net Weight	1.9kg			

Application



Your local VIP Vision™ IP solutions professional: