

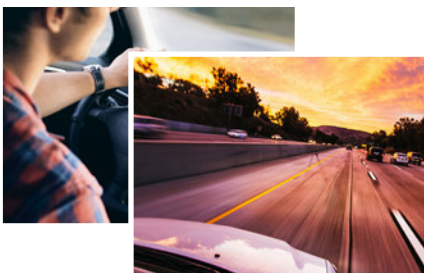


Road and cabin coverage.

Mobile Series: Full HD 1080p HDCVI dual-lens mobile dash camera

Designed for windshield mounting, this dual lens vehicle camera simultaneously records Full HD evidence inside and outside the vehicle. Equipped with a built-in microphone and features a durable shock resistant housing.

- Stream 2.0MP / Full HD 1080p (1920 x 1080) at 25fps
- Innovative dual-lens design records 2 images at once
- HDCVI / AHD / TVI / Analog switchable
- Smart in-vehicle infrared illumination up to 3m
- Features built-in microphone for audio evidence
- Robust aviation style connector cables
- Slimline design with shock resistant housing
- Easy installation to the inside of the windshield



Simultaneous Driver/Road Recording

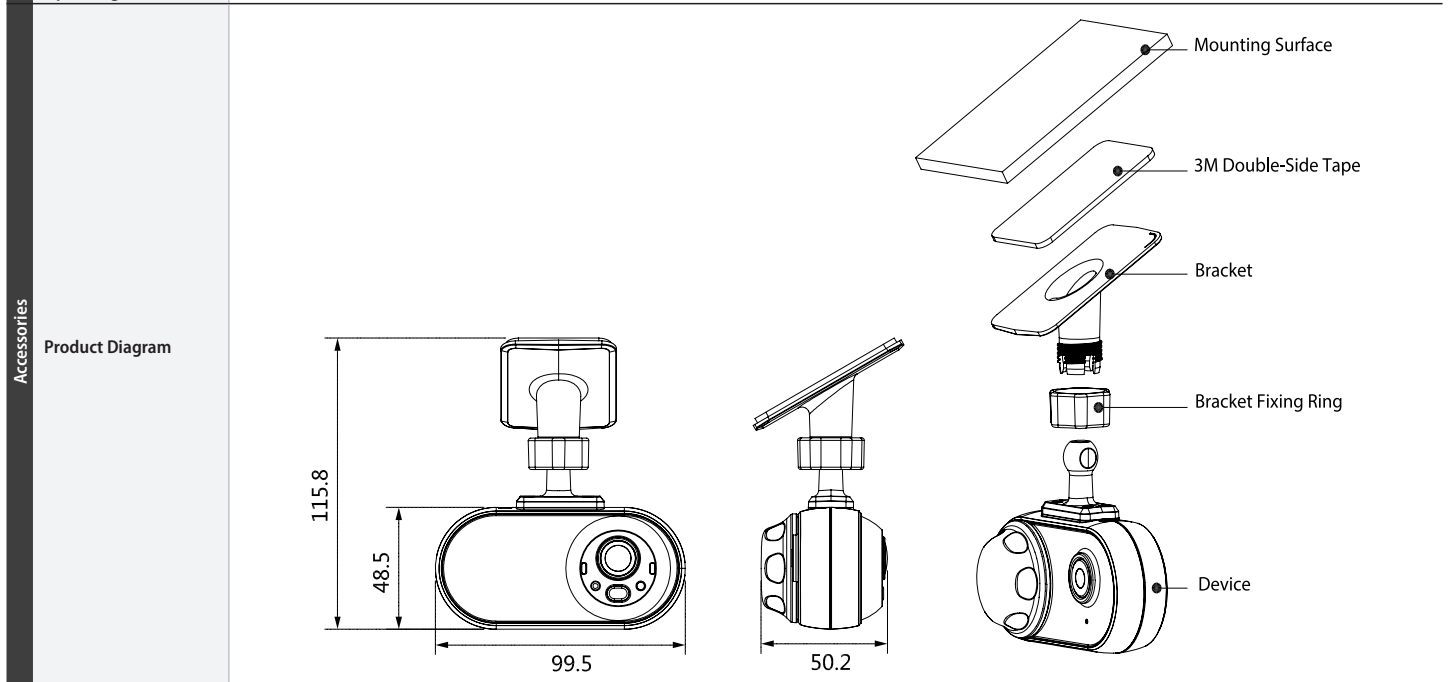


Smart In-Vehicle Infrared up to 3m



Built-in Audio Recording

Model		VSCVIM-2TT
Camera Style		Mobile Dual Lens Camera
Image Sensor		1/2.7" 2.0 Megapixel CMOS
Effective Pixels		1920 (H) x 1080 (V)
Signal Noise Ratio		> 65dB
Lens		Front: 2.8mm F2.0 Fixed Lens / Rear: 2.1mm F2.0 Fixed Lens
Angle of View		Front: 109° (H), 58° (V), 127° (D) / Rear: 132° (H), 69° (V), 164° (D)
Focus		Fixed Focus / 0.5m Min. Focus Distance
Minimum Illumination		0.02 Lux at F2.0 (Colour) / 0 Lux IR Active
Electronic Shutter		1/25 ~ 1/100,000s
Day/Night		Front: Color / Rear: Auto (IRC)
Infrared Range		Front: 3m Infrared / Rear: N/A
White Balance		Auto / Manual
Noise Reduction		2D
Gain Control		Auto
Lighting Compensation		BLC / HLC / Digital WDR
Resolution		1080p (1920 x 1080)
Frame Rate		25fps (1080p and lower)
Transmission Distance		3m / 6m / 12m / 18m heavy duty cables available
DORI	DORI Distance	Detect: Front: 43m / Rear: 36m
		Observe: Front: 18m / Rear: 14m
		Recognise: Front: 9m / Rear: 7m
		Identify: Front: 4m / Rear: 3m
Audio Input		Built-in microphone
Alarm Interface		N/A
Video Output		1 x HDCVI / AHD / TVI / Composite video output (switchable via OSD or VSSELECT101) (Yellow: front / Black: rear)
OSD Menu		Support
Ingress Protection		N/A
Vandal Resistant		N/A
Housing		Plastic
Power Input		12VDC ±30%
Power Consumption		<1.9W (12VDC, IR on)
Dimensions		116 x 100 x 50mm
Weight		0.17kg
Operating Environment		-30° to 60°C / RH95% (max)



Your local Securview™ HDCVI solutions professional: