

LCD/LED Plasma Wall B racket Instruction Manual

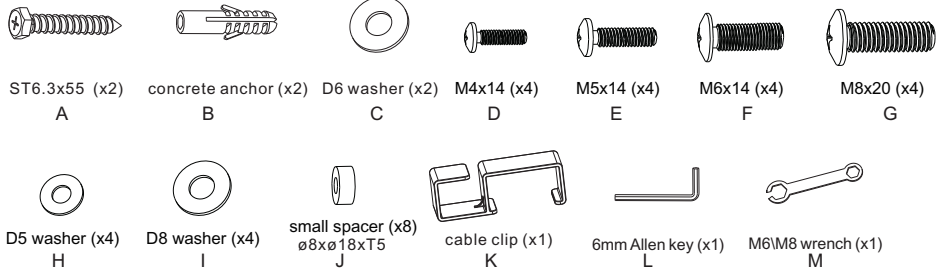
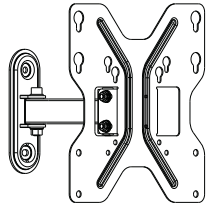
Model no.:LCDBKT-A30TS2

VESA:200X200

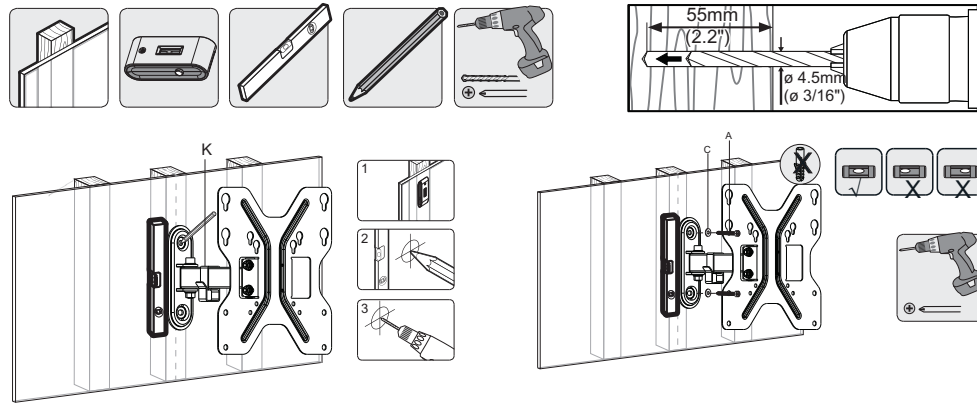
Screen size:17"-42"(most)

Max loading weight:30kgs(66lbs)

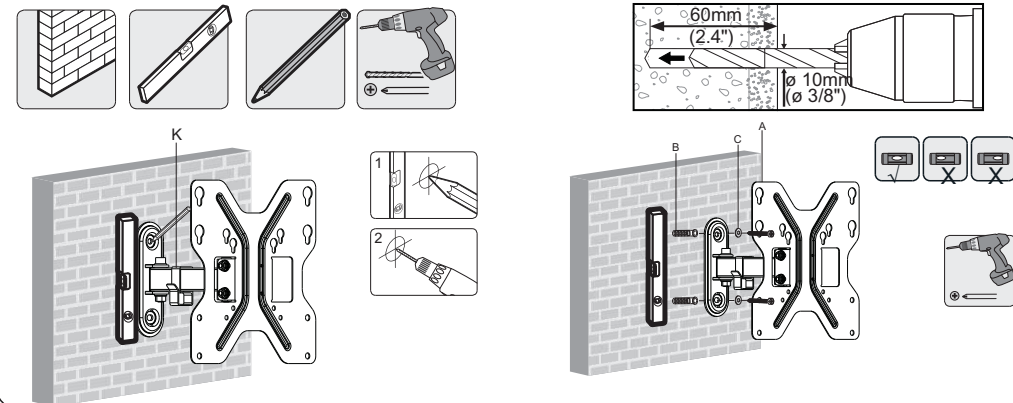
Distance to wall:68-190mm



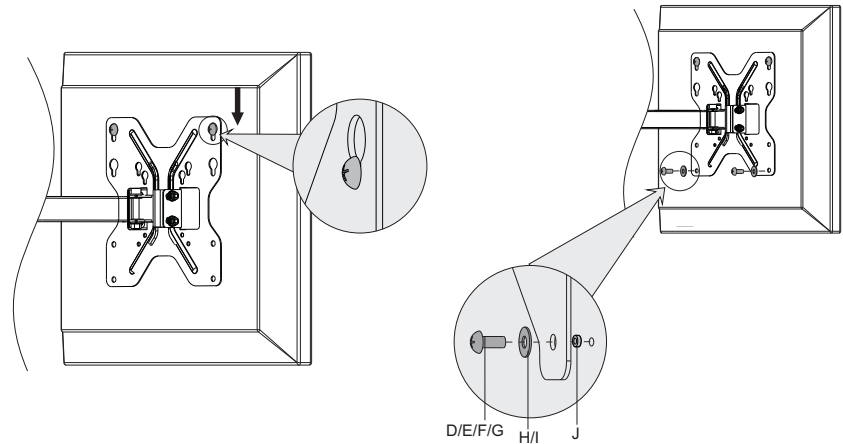
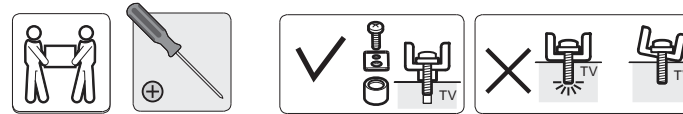
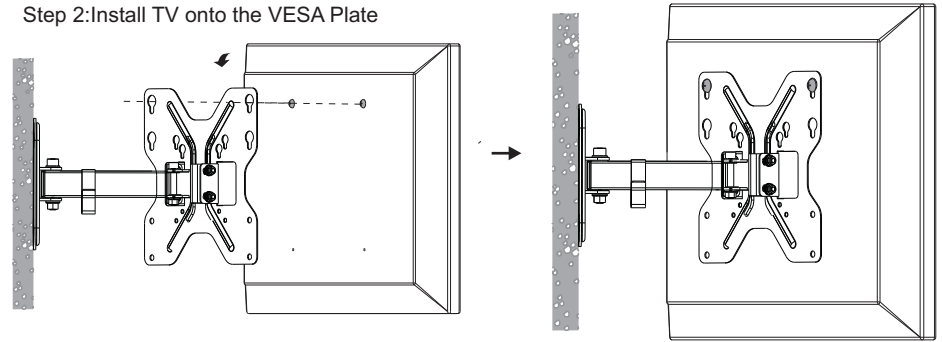
Step-1(a):For Wood Stud Installation



Step-1(b):For Solid Brick and Concrete installation



Step 2:Install TV onto the VESA Plate



Step 3:Adjust and enjoy

