

COMPANY UP&DOWN DOWNLIGHT IN-GROUND BRICKLIGHT FLOODLIGHT BOLLARD BULKHEAD GARDEN URBAN CLASSIC URBAN MODERN POST LAMPS REFERENCES

PINA - PINELA/ RANGE

BULKHEAD BOLLARD



Bollard range in modern style, made in shockproof resin material, UV rays stabilized, rust and corrosion-free. Poles available in two different sizes. Modular system for single or double luminaries installation. To be combined with GERMANA and GIUSEPPE floodlight range (pag. 144 - 152). Insulation class II, protection rating IP66.

Gamma di bollard in stile moderno, realizzata in resina antiurto, stabilizzata ai raggi UV, inattaccabile da ruggine e corrosione. Palo disponibile in due diverse misure. Sistema modulare per permettere l'installazione singola o doppia dei corpi illuminanti. Da combinarsi con la gamma di apparecchi GERMANA e GIUSEPPE (pag. 144 - 152). Classe di isolamento II, grado di protezione IP66.



2N1.613.C2K

CCT SETTABLE

2700 K 3000 K 4000 K 6500 K

SDCM < 6

	IECEE CB SCHEME	UV TREATED	DOUBLE INSULATION	PUBLIC	RESIDENTIAL
RECYCLABLE	ANTI-SHOCK	TEMPERATURE +90° -60°	POST		





POLES



POST made in shockproof resin material, UV rays stabilized, rust and corrosion-free. Moulded colours in paste, no maintenance or painting required. Post and base are made of one piece only without joints to withstand the most strong stress. Provided with screws for ground fixation.

PALO realizzato in resina antiurto, stabilizzato ai raggi UV, inattaccabile da ruggine e corrosione. Colore stampato in pasta, non necessita di verniciatura. Palo e basamento sono fabbricati in un unico pezzo senza giunzioni per resistere alle più forti sollecitazioni. Provvisto di viti per il fissaggio a terra.

PINA - PINELA POST



Dimensions
Height: 800 mm
Width: 240 mm
Depth: 240 mm

MINIPINELA POST



Dimensions
Height: 500 mm
Width: 240 mm
Depth: 240 mm

Moulded colours:

Black White

Grey

Diffuser PMMA:

Opal

LUMINARIES INSTALLATION



IP66

MODULAR SYSTEM for single or double luminaries installation.

SISTEMA MODULARE per permettere l'installazione singola o doppia dei corpi illuminanti.

SUITABLE LUMINARIES FOR POST INSTALLATION



GERMANA
2N1.000

See page 144 for full details about **GERMANA** floodlight.

Informazioni complete sull'apparecchio **GERMANA** a pag. 144



GIUSEPPE
4P1.000
4P2.000

See page 152 for full details about **GIUSEPPE** floodlight.

Informazioni complete sull'apparecchio **GIUSEPPE** a pag. 152

AVAILABLE LAMPS

GX53 LED			*ADD. SUFFIX
2x 3W 6W	700 Lm	6500 K	.G2K
		4000 K	
		3000 K	
2x 7W 14W	1600 Lm	6500 K	.C2K
		4000 K	
		3000 K	
2x 10W 14W	2400 Lm	6500 K	.D2K
		4000 K	
		3000 K	
E27			
E27 (CFL-LED)	max 160 mm		.P27

LED LAMPS



Technical details on page 552.

AVAILABLE LAMPS

GX53 LED			*ADD. SUFFIX
7 W	800 Lm	6500 K	.A1K
		4000 K	
		2700 K	
11 W	1300 Lm	6500 K	.B1K
		4000 K	
		2700 K	
18 W	2000 Lm	6500 K	.E1K
		4000 K	
		2700 K	

AVAILABLE LAMPS

4X GX53 LED			*ADD. SUFFIX
4x 7W 28W	3200 Lm	6500 K	.C4K
		4000 K	
		3000 K	
4x 10W 40W	4800 Lm	6500 K	.D4K
		4000 K	
		3000 K	
2x E27			
2xE27 (CFL-LED)	max 160 mm		.P27

PINA - PINELA RANGE

BULKHEAD BOLLARD



2N1.613.010.D2K

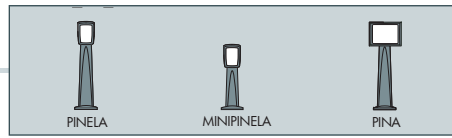


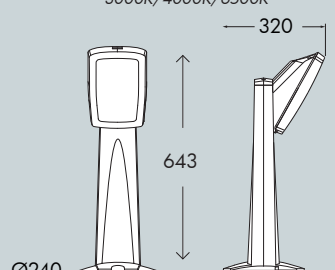
2N1.613.020.D2K

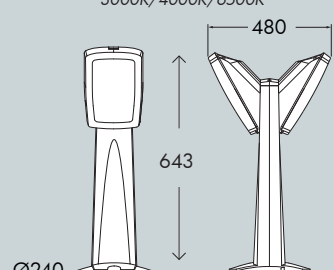


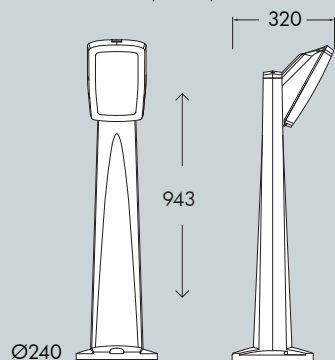
4P1.613.010.D4K

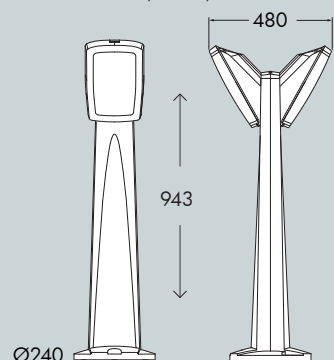


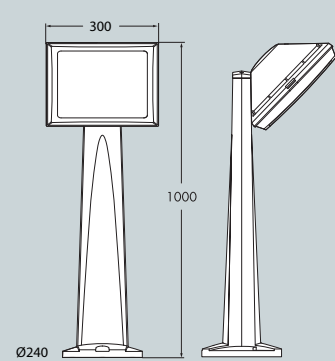


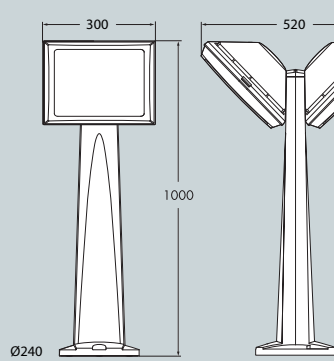
MINIPINELA 1L	
6W	2N1.612.010.G2K
14W	2N1.612.010.C2K
20W	2N1.612.010.D2K
2 CCT SETTABLE GX53 LED LAMPS INCLUDED 3000K/4000K/6500K	
	
Pcs 1 Kg 3,5 mc 0,06	
E27 lampholder	2N1.612.010.P27
E27 with sensor	2N1.612.010.PS7

MINIPINELA 2L	
2x6W	2N1.612.020.G2K
2x14W	2N1.612.020.C2K
2x20W	2N1.612.020.D2K
2 CCT SETTABLE GX53 LED LAMPS INCLUDED 3000K/4000K/6500K	
	
Pcs 1 Kg 4 mc 0,06	
E27 lampholder	2N1.612.020.P27
E27 with sensor	2N1.612.020.PS7

PINELA 1L	
6W	2N1.613.010.G2K
14W	2N1.613.010.C2K
20W	2N1.613.010.D2K
2 CCT SETTABLE GX53 LED LAMPS INCLUDED 3000K/4000K/6500K	
	
Pcs 1 Kg 4 mc 0,097	
E27 lampholder	2N1.613.010.P27
E27 with sensor	2N1.613.010.PS7

PINELA 2L	
2x6W	2N1.613.020.G2K
2x14W	2N1.613.020.C2K
2x20W	2N1.613.020.D2K
2 CCT SETTABLE GX53 LED LAMPS INCLUDED 3000K/4000K/6500K	
	
Pcs 1 Kg 5 mc 0,097	
E27 lampholder	2N1.613.020.P27
E27 with sensor	2N1.613.020.PS7

PINA 1L	
7W	4P1.613.010.A1K
11W	4P1.613.010.B1K
18W	4P1.613.010.E1K
28W	4P2.613.010.C4K
40W	4P2.613.010.D4K
CCT SETTABLE GX53 LED LAMP INCLUDED	
	
Pcs 1 Kg 4,5 mc 0,097	
2xE27 lampholder	4P2.613.010.E28
2xE27 with sensor	4P2.613.010.ES8

PINA 2L	
2x 7W	4P1.613.020.A1R
2x 11W	4P1.613.020.B1R
2x 18W	4P1.613.020.E1R
2x 28W	4P2.613.020.C4R
2x 40W	4P2.613.020.D4R
CCT SETTABLE GX53 LED LAMP INCLUDED	
	
Pcs 1 Kg 7 mc 0,097	
2xE27 lampholder	4P2.613.020.E28
2xE27 with sensor	4P2.613.020.ES8