



# Professional IP Surveillance

## Product Reference Guide



Crucial evidence. Always.™



**VIP**  
vision



We believe in delivering systems that function seamlessly with your business operations, to truly grant peace of mind.

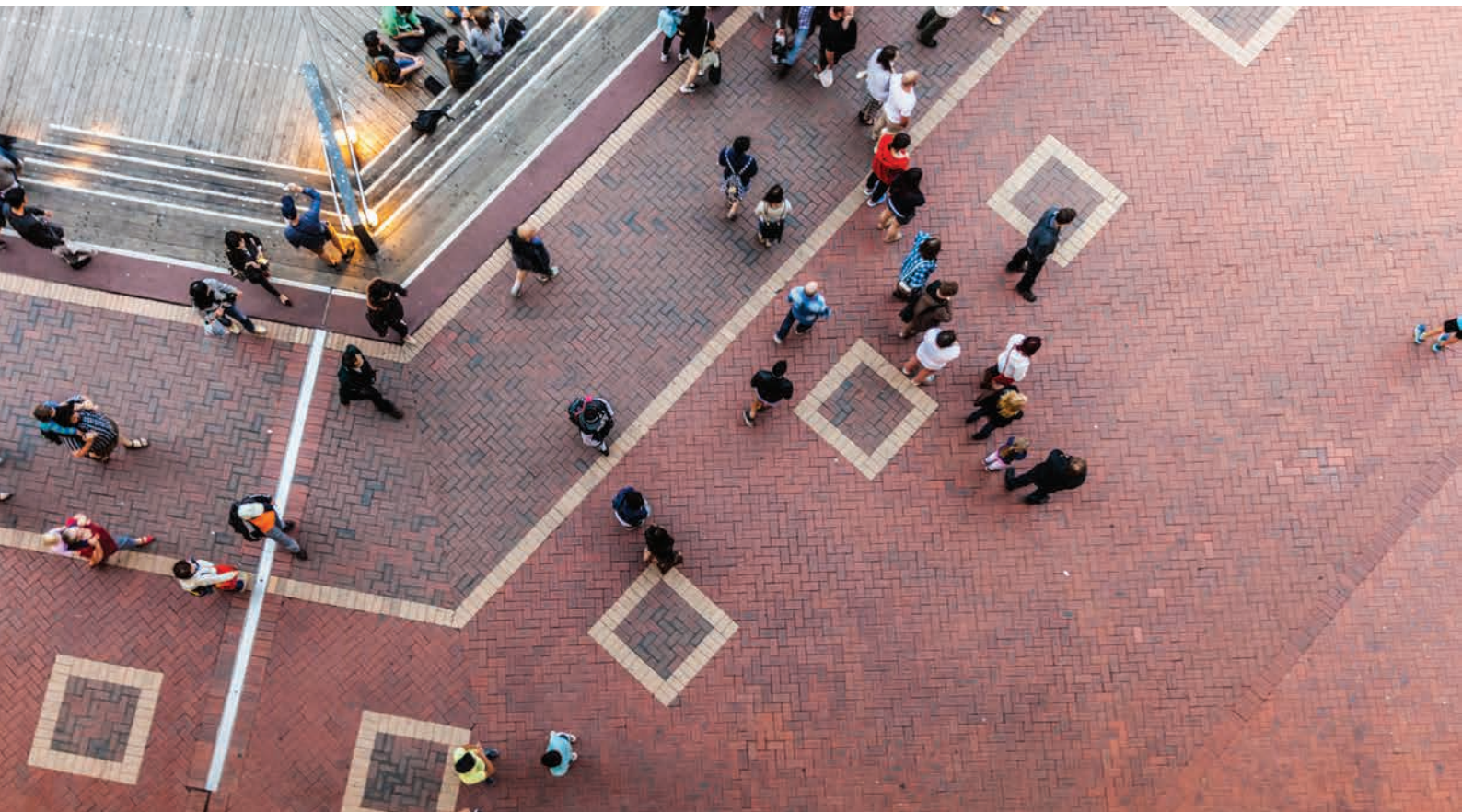
VIP Vision is the premier IP surveillance solution for enterprise and commercial applications, delivering powerful, scalable IP CCTV systems, with an emphasis on functionality, ease of use and ease of installation across the range.

VIP Vision is backed by over 8,000 professionals in research and development at the forefront of advanced surveillance and IP intercom technologies. Their constant pursuit of innovation delivers cutting edge products with high quality, performance and reliability.

The new VIP Vision AI Series revolutionises the way you use surveillance, utilising advanced face recognition and person & vehicle detection to achieve reliable real-time alerts and streamlined evidence searching never before capable in IP surveillance systems.

Stream up to Ultra HD with 8.0 megapixel recording using the latest range of VIP Vision AI IP surveillance cameras. Adaptable to any task, the AI range offers a wide selection of bullet and dome cameras, as well as application specific models such as PTZ, fisheye and dual lens cameras.

Rest assured knowing you have usable video evidence when it matters most with VIP Vision IP surveillance.



# Contents | VIP Vision™ Product Solution Guide



6

**Ultimate Series NVRs**  
Excellent performance and unparalleled record, backup & storage functionality.



12

**Professional Series NVRs**  
Uncompromising Ultra HD surveillance with ease of install and user-friendly features.



18

**AI NVRs**  
Smart recorders with the latest in AI face recognition & detection technology.



22

**Mobile Series NVRs**  
Network recorders purpose built for vehicle surveillance with GPS, 4G & WiFi.



26

**Professional Series Cameras**  
Motorised lens cameras from 4.0MP to 8.0MP (Ultra HD/4K) for standard CCTV coverage.



34

**Professional AI Series Cameras**  
Fixed & motorised AI cameras capable of person/vehicle identification.



50

**Ultimate AI Series Cameras**  
Motorised AI cameras with face recognition, person/vehicle identification & people counting.



58

**Specialist Series IP Cameras**  
PTZ, 360° fisheye, 180° panoramic & pinhole cameras to transform your CCTV experience.



70

**Specialist AI Series Cameras**  
Deterrence, PTZ, 360° fisheye & dual-lens cameras with powerful AI functionality.



90

**Remote View Clients**  
Desktop and mobile remote view clients so you can stay connected around the clock.



92

**Accessories**  
A variety of peripherals & accessories for IP surveillance systems.



106

**Feature Glossary**  
Common IP surveillance terms used within this product reference guide.



# Ultimate Series Network Video Recorders

## Series Overview

Designed for high performance & high capacity, Ultimate Series NVRs are the premier surveillance solution for enterprise applications.

Purpose-built for large enterprise installations, Ultimate Series NVRs from VIP Vision™ deliver excellent performance, offering unparalleled recording, backup and storage functionality with power and HDD redundancy, for the most demanding CCTV applications.

## Model Reference

SKU	Description
NVR32ULTNPV2	32 Channel NVR (384Mbps, 8 HDD bays)
NVR64ULT8S	64 Channel NVR (384Mbps, 8 HDD bays)
NVR64ULTNPV2	64 Channel NVR (384Mbps, 16 HDD bays)
NVR128ULTNPV2	128 Channel NVR (384Mbps, 16 HDD bays)



### Record up to 12.0MP

Capture footage at beyond Ultra HD with up to 4000 x 3000 resolution.



### Weeks of stored footage

Store weeks of recorded footage with HDD capacity up to 160TB.



### High bandwidth capacity

Transmit data at up to 384Mbps for UHD decoding across multiple channels.



### Enterprise CCTV systems

High capacity systems for enterprise applications in 32, 64 & 128 channels.



### Multiple backup options

Save & backup footage on a local area network or external USB device



### Complete system integration

Features inputs/outputs for alarms, audio, RS232, RS485, eSATA & more.

## Series Highlights

### High-performance processing with Intel® Core™ Processors

The Ultimate Series features the most powerful recorders VIP Vision has to offer, able to record and decode Ultra HD footage from a large numbers channels at the same time.

- High power Intel® Dual™ & Quad™ Core processors
- Cater to jobs of any size with up to 128 channels
- Up to 384Mbps max. incoming bandwidth
- 1000Mbps Base-X ports for optical fibre interface



### Ultimate video analytics with intelligent video surveillance functions

The Ultimate Series handles most camera feature that VIP Vision cameras have to offer (*excluding AI*).

- Advanced IVS including people counting, heat map, tripwire, face detection & more
- Point of sale integration for retail stores



### The best in data performance with RAID data storage configurations

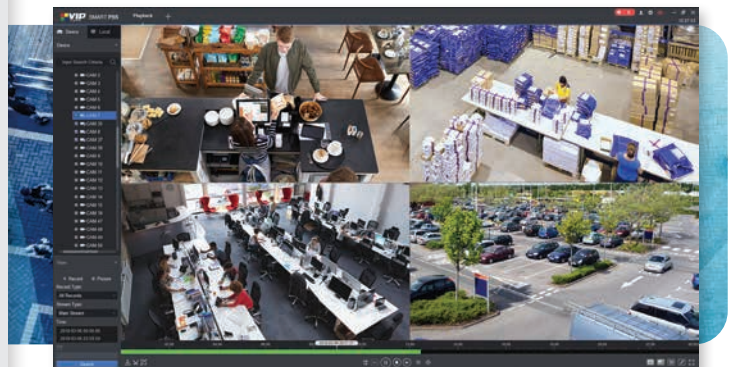
Achieve greater reliability and performance with the RAID system, processing data from two or more hard drives at once with redundancy.

- Up to 160TB of HDD storage with H.265 high efficiency video coding technology
- Hot-swap and hot-spare w/ mini-SAS port

### Protect your valuable evidence with system redundancy & backup options

Ultimate Series NVRs feature a variety of systems to protect footage from short-term failures & backup older saved footage.

- USB, network, eSATA & SATA burner backup
- Automatic Network Replenishment (ANR) - NVR retrieves footage from cameras' microSD automatically in the case a of network outage





# Enterprise performance.

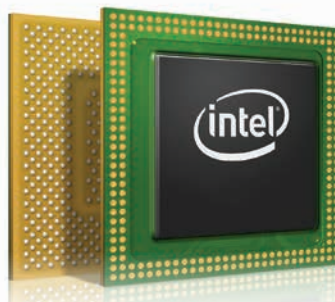
## Ultimate Series: Network video recorders available in 64 and 128 channels

Purpose built for large installations, Ultimate Series network video recorders deliver excellent performance and unparalleled record, backup & storage functionality for the most demanding of surveillance applications.

- Record beyond Ultra HD up to 12.0MP (4000 x 3000)
- 384Mbps incoming bandwidth with H.265 support
- 10TB HDD support for up to 160TB footage storage
- 7" HD LCD on-recorder display with 4 channel split
- RAID HDD optimisation; supports global hot-spare
- High performance Intel® quad core processors
- Native Ultra HD live view on 4K monitors via HDMI
- Live view, playback & record via your phone/tablet
- Video analytics including people counting, face detection, tripwire, intrusion, heat map & more



Expand up to 128 IP Cameras





High Performance CPUs

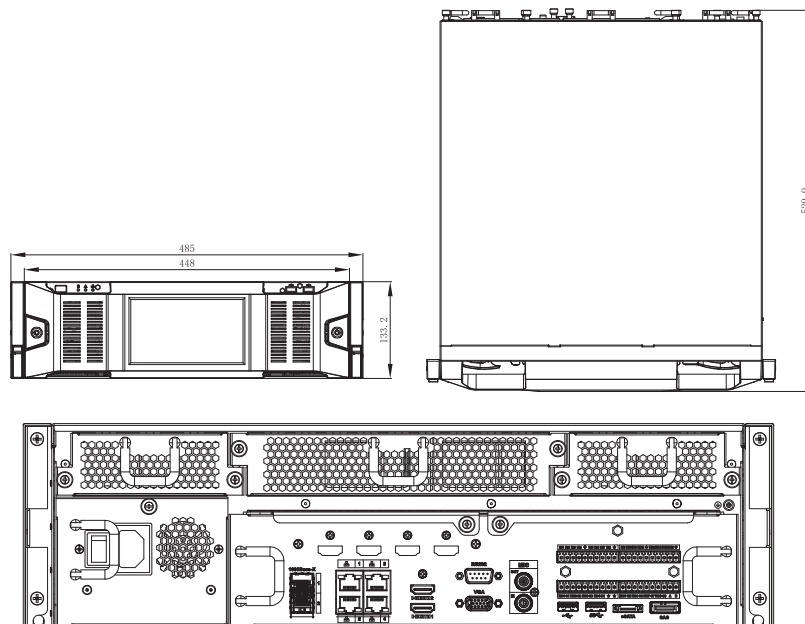


Powerful Storage & Backup



Specifications		64 Channel NVR	128 Channel NVR
Model	Product Image		
	Ordering Information	NVR64ULTNPV2	NVR128ULTNPV2
General	Main Processor	Intel® Quad Core Processors	
	Operating System	Embedded Linux	
	Video Input	64 channels	128 channels
	Two-way Talk	1 channel input, 1 channel output, RCA	
Display	Interoperability	ONVIF 2.4, CGI conformant	
	Video Output	2 x HDMI, 1 x VGA	
	Display Resolution	Configurable from 3840 x 2160 to 1024 x 768	
	Display Split	1/4/8/9/16/25/36/64, Extra display: 1/4/8/9/16	1/4/8/9/16/25/36/64, Extra display: 1/4/8/9/16
Recording	OSD	Camera title, Time, Video loss, Camera lock, Motion detection, Recording	
	Recording Resolution	Configurable from 12.0MP (4000 x 3000) to CIF (352 x 288)	
	Incoming Bandwidth	384Mbps	
	Decoding Capacity	16 channels: 1080p (30fps)	
	Video Compression	H.265 / H.264 / MJPEG	
	Bit Rate	16kbps ~ 20Mbps per channel	
Features	Record Modes	Manual / Schedule (Regular [Continuous], Motion Detection, Alarm) / Stop	
	Record Interval	1~120 min (default: 60 min) / Pre-record: 1~30s / Post-record: 10~300s	
	Alarm Input / Output	16 channels input / 8 channels relay output (N.O./N.C)	
	Trigger Events	Recording, PTZ, Tour, Alarm, Video Push, Email, FTP, Snapshot, Buzzer, Screenshot	
	Video Detection	Motion Detection, Motion Zones: 396 (22 x 18), Video Loss & Tampering	
	Playback Sync	128Mbps (RAID 5 mode) / 64Mbps (single HDD mode)	
Network	Search Modes	Time/Date, Alarm, Motion Detection, Exact Search (to the second), Smart Search	
	Backup Modes	USB Device / Network / eSATA Device / Internal SATA burner	
	Ethernet	4 x RJ-45 (10/100/1000Mbps), Load Balancing or Independent	
	Power over Ethernet	N/A	
	Network Functions	HTTP, TCP/IP, IPv4/IPv6, UPNP, RTSP, UDP, SMTP, NTP, DHCP, DNS, IP Filter, PPPOE, DDNS, FTP, Alarm Server, IP Search, P2P	
	Optical Interface	2 x 1000Mbps Fibre Interface	
Storage	Max. User Access	128 users	
	Remote View	iOS (iPhone, iPad) / Android devices	
	Internal HDD	16 x SATA ports up to 10TB, max. 160TB HDD capacity	
	HDD Modes	Single disk, RAID 0/1/5/10 (Global hot-spare support)	
Environment	USB Interface	4 ports: 1x USB3.0 / 3x USB2.0	
	Auxiliary Inputs	1 x RS232 / 1 x RS485 / 1 x eSATA / 1 x Mini SAS	
	Power Supply	100 ~ 240VAC, 50 ~ 60Hz (Power Redundancy Available)	
	Power Consumption	< 51W (without HDD)	
Operating Environment	-10 ~ 55°C / 10 ~ 90%RH / 86 ~ 106kpa		
Dimensions / Rack Units	530 x 485 x 133mm / 3U		
Weight	18.10kg (without HDD)		

## Application





# Impressive functionality.

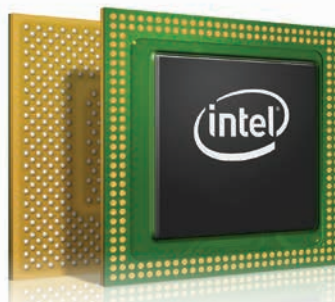
## Ultimate Series: Network video recorders available in 32 and 64 channels

Purpose built for large installations, Ultimate Series network video recorders deliver excellent performance and unparalleled record, backup & storage functionality for the most demanding of surveillance applications.

- Record beyond Ultra HD up to 12.0MP (4000 x 3000)
- 384Mbps incoming bandwidth with H.265 support
- High performance Intel® dual/quad core processors
- 10TB HDD support for up to 80TB footage storage
- RAID HDD optimisation; support global hot-spare
- Native Ultra HD live view on 4K monitors via HDMI
- Smart tracking and intelligent video analytics
- Live view, playback & record via your phone/tablet
- Video analytics including people counting, face detection, tripwire, intrusion, heat map & more





Expand up to 64 IP Cameras



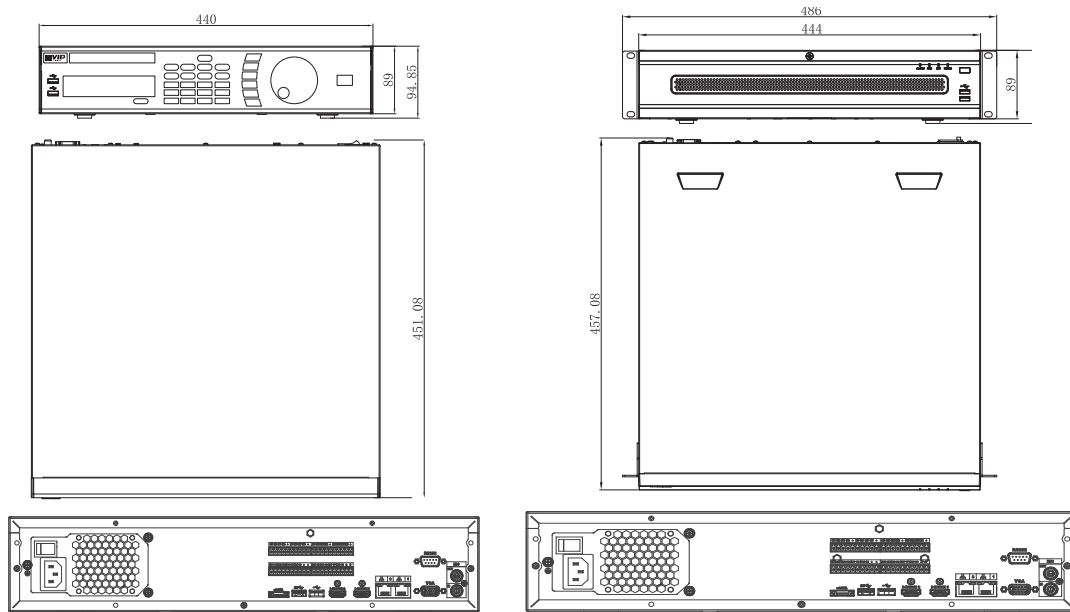
High Performance CPUs



Powerful Storage & Backup

Specifications	32 Channel NVR	64 Channel NVR
<b>Model</b>		
<b>Product Image</b>		
<b>Ordering Information</b>	NVR32ULTNPV2	NVR64ULT8S
<b>Main Processor</b>	Intel® Dual Core Processors	Intel® Quad Core Processors
<b>Operating System</b>	Embedded Linux	
<b>Video Input</b>	32 channels	64 channels
<b>Two-way Talk</b>	1 channel input, 1 channel output, RCA	
<b>Interoperability</b>	ONVIF 2.4, CGI conformant	
<b>Video Output</b>	2 x HDMI, 1 x VGA	
<b>Display Resolution</b>	Configurable from 3840 x 2160 to 1024 x 768	
<b>Display Split</b>	1/4/8/9/16/25/36, Extra display: 1/4/8/9/16	
<b>OSD</b>	Camera title, Time, Video loss, Camera lock, Motion detection, Recording	
<b>Recording Resolution</b>	Configurable from 12.0MP (4000 x 3000) to CIF (352 x 288)	
<b>Incoming Bandwidth</b>	384Mbps	
<b>Decoding Capacity</b>	16 channels: 1080p (30fps)	
<b>Video Compression</b>	H.265 / H.264 / MJPEG	
<b>Bit Rate</b>	16kbps ~ 20Mbps per channel	
<b>Record Modes</b>	Manual / Schedule (Regular [Continuous], Motion Detection, Alarm) / Stop	
<b>Record Interval</b>	1~120 min (default: 60 min) / Pre-record: 1~30s / Post-record: 10~300s	
<b>Alarm Input / Output</b>	16 channels input / 8 channels relay output (N.O/N.C)	
<b>Trigger Events</b>	Recording, PTZ, Tour, Alarm, Video Push, Email, FTP, Snapshot, Buzzer, Screenshot	
<b>Video Detection</b>	Motion Detection, Motion Zones: 396 (22 x 18), Video Loss & Tampering	
<b>Playback Sync</b>	128Mbps (RAID 5 mode) / 64Mbps (single HDD mode)	
<b>Search Modes</b>	Time/Date, Alarm, Motion Detection, Exact Search (to the second), Smart Search	
<b>Backup Modes</b>	USB Device / Network / eSATA Device / Internal SATA burner	
<b>Ethernet</b>	2 x RJ-45 port (10/100/1000Mbps)	
<b>Power over Ethernet</b>	N/A	
<b>Network Functions</b>	HTTP, TCP/IP, IPv4/IPv6, UPNP, RTSP, UDP, SMTP, NTP, DHCP, DNS, IP Filter, PPOE, DDNS, FTP, Alarm Server, IP Search, P2P	
<b>Optical Interface</b>	N/A	
<b>Max. User Access</b>	128 users	
<b>Remote View</b>	iOS (iPhone, iPad) / Android devices	
<b>Internal HDD</b>	8 x SATA ports up to 10TB, max. 80TB HDD capacity	
<b>HDD Modes</b>	Single disk, RAID 0/1/5/10 (Global hot-spare support)	
<b>USB Interface</b>	4 ports: 2x USB3.0 / 2x USB2.0	
<b>Auxiliary Inputs</b>	1 x RS232 / 1 x RS485 / 1 x eSATA	
<b>Power Supply</b>	100 ~ 240VAC, 50 ~ 60Hz	
<b>Power Consumption</b>	< 20W (without HDD)	
<b>Operating Environment</b>	-10 ~ 55°C / 10 ~ 90%RH / 86 ~ 106kpa	
<b>Dimensions / Rack Units</b>	451 x 440 x 95mm / 2U	
<b>Weight</b>	9.00kg (without HDD)	

## Application





# Professional Series Network Video Recorders

## Series Overview

Perfect for small-medium enterprise, Professional Series NVRs offer uncompromising Ultra HD broadcast-quality surveillance with user-friendly features such as built-in Power over Ethernet and rapid remote view configuration via QR code.

Connect distant cameras easily with Extended Power over Ethernet, along with standard PoE and no-PoE recorder models.

## Model Reference

SKU	Description
NVR4PRO4	4 Channel NVR (128Mbps, 4 x PoE)
NVR8PRO7	8 Channel NVR (320Mbps, 8 x ePoE)
NVR16PRO7	16 Channel NVR (320Mbps, 8 x PoE, 8 x ePoE)
NVR24PRO6	24 Channel NVR (320Mbps, 24 x PoE)
NVR32PRO16P3	32 Channel NVR (320Mbps, 8 x PoE, 8 x ePoE)
NVR16PRO6NP	16 Channel NVR (320Mbps, No PoE)
NVR32PRONP2	16 Channel NVR (320Mbps, No PoE)



### Record up to 12.0MP

Capture footage beyond Ultra HD with up to 4000 x 3000 resolution.



### Weeks of stored footage

Store weeks of recorded footage with HDD capacity up to 40TB.



### Extended Power over Ethernet

Utilise PoE over a long distance, with a maximum range of 800m.



### Scalable CCTV systems

Connect any camera across the network, in 4, 8, 16 and 32 channel systems.



### Multiple backup options

Save & backup footage on a local area network or external USB device.



### Multiple display outputs

Display HD video output via HDMI & VGA.

## Series Highlights

### User-friendly management with GUI for live viewing, playback, config & more

The powerful VIP Vision user interface gives the user complete control of their surveillance system, with split screen live view for operations management & smart searching to easily find important moments.

- Split screen display up to 32 cameras at once
- Simultaneous HDMI and VGA video output
- Remote motorised/PTZ camera zoom adjustment



### Remote view in a flash with QR code smartphone setup

Connect your Professional Series NVR to your smartphone in an instant with easy setup via QR code.

- Simply scan to connect your phone
- Live view, playback, PTZ & more
- iOS & Android devices supported



### Long distance installs made easy with Extended Power over Ethernet (ePoE)

Setting up IP surveillance systems across large areas is easier than ever with ePoE, allowing for power and data over Ethernet cable at up to 800m.

- Transmit power & data at a maximum distance of 800m (13W, 10Mbps) / 300m (25.5W, 100Mbps)
- Standard PoE, ePoE & non-PoE recorders available

### Secure your video evidence with multiple footage backup options

With USB and network backup support across the range, as well as eSATA & internal SATA burners for select models, you can always make sure that evidence doesn't get lost.

- Export footage video evidence onto USB device
- eSATA storage support for external HDD backup
- Connect to local network for automated backups





# Serious jobs made simple.

Professional Series: PoE NVRs available in 4, 8, 16, 24 and 32 channels

VIP Vision™ Professional Series NVRs offer Ultra HD broadcast-quality image performance with built-in Power over Ethernet for fast installations, plus ePoE for select models to make long-distance camera installs simpler than ever.

- Record beyond Ultra HD up to 12.0MP (4000 x 3000)
- Up to 320Mbps incoming bandwidth, H.265+ support
- 10TB HDD support for up to 40TB footage storage
- Built-in PoE switches for easy install across the range
- ePoE ports for PoE at up to 800m (8/16/32CH only)
- H.265 high efficiency video compression technology
- Native Ultra HD live view on 4K monitors via HDMI
- Live view, playback & record via your phone/tablet
- Remote view in seconds with setup via QR code
- Backup footage via network, USB or SATA devices








Ultra HD Recording & Live View



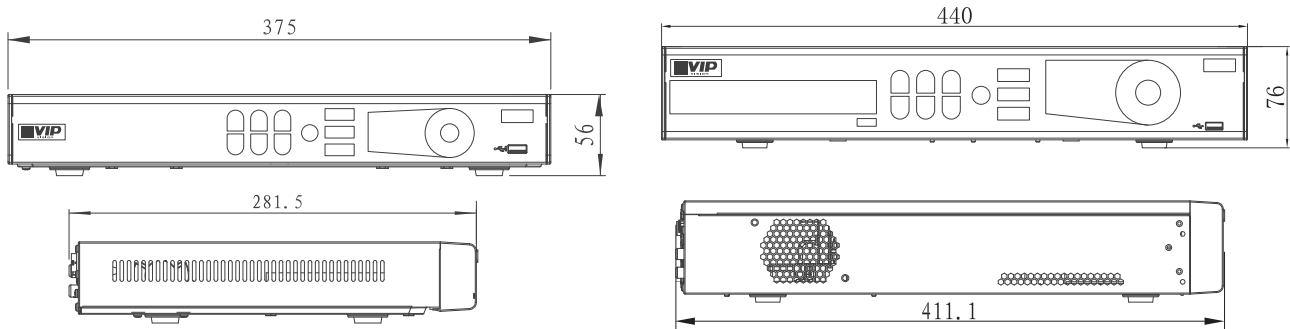
Extended PoE (ePoE) up to 800m



Comprehensive Remote View

Specifications	4 Channel PoE NVR	8 Channel ePoE NVR	16 Channel ePoE NVR	24 Channel PoE NVR	32 Channel ePoE NVR
<b>Model</b>					
<b>Ordering Information</b>	NVR4PRO4: 4 Channel (4 x PoE)	NVR8PRO7: 8 Channel (8 x ePoE)	NVR16PRO7: 16 Channel (8 x ePoE, 8 x PoE)	NVR24PRO6: 24 Channel (24 x PoE)	NVR32PRO16P3: 32 Channel (8 x PoE, 8 x ePoE)
<b>Main Processor</b>	Quad-core embedded processor				
<b>Operating System</b>	Embedded Linux				
<b>Video Input</b>	4 channels	8 channels	16 channels	24 channels	32 channels
<b>Two-way Talk</b>	1 channel input, 1 channel output, RCA	1 channel input, 1 channel output, RCA	1 channel input, 2 channel output, RCA	1 channel input, 1 channel output, RCA	1 channel input, 2 channel output, RCA
<b>Interoperability</b>	ONVIF (Profile S), CGI, SDK, RTSP	ONVIF 2.4, SDK, CGI	ONVIF 2.4, SDK, CGI	ONVIF 2.4, SDK, CGI	ONVIF 2.4, SDK, CGI
<b>Video Output</b>	1 x HDMI, 1 x VGA	1 x HDMI, 1 x VGA	2 x HDMI, 2 x VGA	2 x HDMI, 1 x VGA	2 x HDMI, 2 x VGA
<b>Display Resolution</b>	Configurable from 3840 x 2160 to 1024 x 768				
<b>Display Split</b>	1/4	1/4/8/9	1/4/8/9/16	1/4/8/9/16/25	1/4/8/9/16/25/36
<b>OSD</b>	Camera title, Time, Video loss, Camera lock, Motion detection, Recording				
<b>Recording Resolution</b>	Configurable from 8.0MP (3840 x 2160) to CIF (352 x 288)		Configurable from 12.0MP (4000 x 3000) to CIF (352 x 288)		
<b>Incoming Bandwidth</b>	128Mbps	320Mbps	320Mbps	320Mbps	320Mbps
<b>Decoding Capacity</b>	2 channel: 8.0MP (30fps) / 8 channel: 1080p (30fps)	4 channel: 8.0MP (30fps) / 16 channel: 1080p (30fps)	4 channel: 8.0MP (30fps) / 16 channel: 1080p (30fps)	N/A	4 channel: 8.0MP (30fps) / 16 channel: 1080p (30fps)
<b>Video Compression</b>	H.265+ / H.265 / H.264+ / H.264	H.265+ / H.265 / H.264+ / H.264	H.265+ / H.265 / H.264+ / H.264 / MJPEG	H.265+ / H.265 / H.264+ / H.264 / MJPEG	H.265+ / H.265 / H.264+ / H.264 / MJPEG
<b>Bit Rate</b>	16kbps ~ 20Mbps per channel				
<b>Record Modes</b>	Manual / Schedule (Regular [Continuous], Motion Detection, Alarm) / Stop				
<b>Record Interval</b>	1~120 min (default: 60 min) / Pre-record: 1~30s / Post-record: 10~300s				
<b>Alarm Input / Output</b>	4 channels input / 2 channels relay output (N.O./N.C)		16 channels input / 6 channels relay output (N.O./N.C)		
<b>Trigger Events</b>	Recording, PTZ, Tour, Alarm, Video Push, Email, FTP, Snapshot, Buzzer, Screenslips				
<b>Video Detection</b>	Motion Detection, Motion Zones: 396 (22 x 18), Video Loss & Tampering				
<b>Playback Sync</b>	1/4	1/4/9	1/4/9/16	1/4/9/16	1/4/9/16
<b>Search Modes</b>	Time/Date, Alarm, Motion Detection, Exact Search (to the second), Smart Search				
<b>Backup Modes</b>	USB Device / Network		USB Device / Network / eSATA Device		
<b>Ethernet</b>	1 x RJ-45 port (10/100/1000Mbps)				
<b>Power over Ethernet</b>	4 ports (IEEE802.3at/af)	8 ports (IEEE802.3at/af) ePoE & EoC support (All ports)	16 ports (IEEE802.3at/af) ePoE & EoC support (Ports 1-8)	24 ports (IEEE802.3at/af)	16 ports (IEEE802.3at/af) ePoE & EoC support (Ports 1-8)
<b>ePoE Range</b>	N/A	300m (100Mbps, 25.5W) 800m (10Mbps, 13W)	300m (100Mbps, 25.5W) 800m (10Mbps, 13W)	N/A	300m (100Mbps, 25.5W) 800m (10Mbps, 13W)
<b>Network Functions</b>	HTTP, HTTPS, TCP/IP, IPv4/IPv6, UPnP, SNMP, RTSP, UDP, SMTP, NTP, DHCP, DNS, IP Filter, PPPoE, DDNS, FTP, Alarm Server, IP Search, P2P				
<b>Optical Interface</b>	N/A				
<b>Max. User Access</b>	128 users				
<b>Remote View</b>	iOS (iPhone, iPad) / Android devices				
<b>Internal HDD</b>	2 x SATA ports up to 10TB, max. 20TB HDD capacity		4 x SATA ports up to 10TB, max. 40TB HDD capacity		
<b>HDD Modes</b>	Single (no RAID compatibility)				
<b>USB Interface</b>	2 ports: Rear USB3.0 / Front USB2.0		3 ports: Rear USB3.0 / Front USB2.0		
<b>Auxiliary Inputs</b>	1 x RS232 / 1 x RS485		1 x RS232 / 1 x RS485 / 1 x eSATA		
<b>Power Supply</b>	48VDC / 2A		100 ~ 240VAC, 50 ~ 60Hz		
<b>Power Consumption</b>	< 10W (without HDD) / PoE: 25.5W per port, 36W total		< 17.5W (without HDD) / PoE: 25.5W per port, 150W total		
<b>Operating Environment</b>	-10 ~ 55°C / 10 ~ 90%RH / 86 ~ 106kpa				
<b>Dimensions / Rack Units</b>	375 x 275 x 52mm / 1U	375 x 327 x 53mm / 1U	440 x 411 x 76mm / 1.5U		
<b>Weight</b>	1.58kg (without HDD)	4.00kg (without HDD)	4.65kg (without HDD)		
	Above: NVR4PRO3		Above: NVR16PRO7		

## Application





# Large scale surveillance.

Professional Series: Non-PoE NVRs available in 16 and 32 channels

VIP Vision™ Professional Series network video recorders offer Ultra HD broadcast-quality image performance at up to 32 channels, making them ideal for building large systems with cameras connected via external switches.

- Record beyond Ultra HD up to 12.0MP (4000 x 3000)
- Up to 320Mbps incoming bandwidth; H.265 support
- 10TB HDD support for up to 40TB footage storage
- Remote view in seconds with setup via QR code
- H.265 high efficiency video compression technology
- Native Ultra HD live view on 4K monitors via HDMI
- Backup footage via network, USB or SATA devices
- Live view, playback & record via your phone/tablet



**4K**  
ULTRA HD

Ultra HD Recording & Live View





External Network Installations

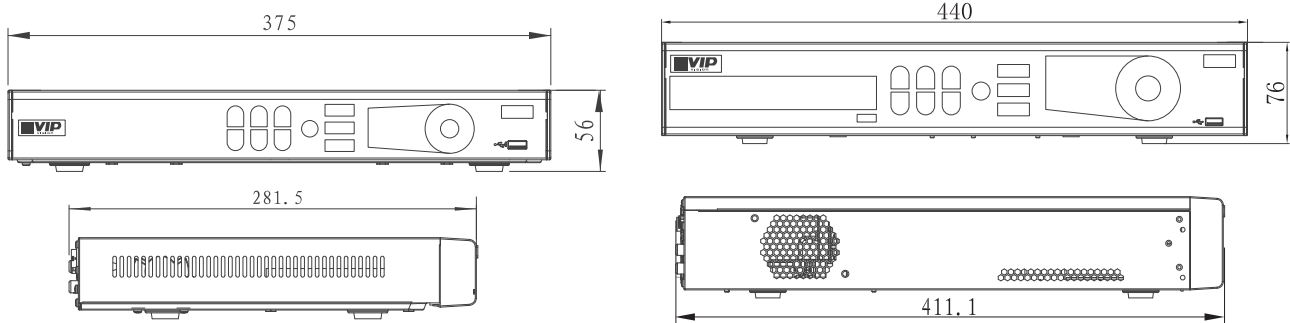


Comprehensive Remote View



Specifications		16 Channel NVR	32 Channel NVR
Model	Product Image		
	Ordering Information	<b>NVR16PRO6NP: 16 Channel</b>	<b>NVR32PRONP2: 32 Channel</b>
General	Main Processor	Quad-core embedded processor	
	Operating System	Embedded Linux	
	Video Input	16 channels	32 channels
	Two-way Talk	1 channel input, 1 channel output, RCA	2 channel input, 2 channel output, RCA
Display	Interoperability	ONVIF 2.4, SDK, CGI conformant	
	Video Output	1 x HDMI, 1 x VGA	2 x HDMI, 2 x VGA
	Display Resolution	Configurable from 3840 x 2160 to 1024 x 768	
	Display Split	1/4/8/9/16	1/4/8/9/16/25/36
Recording	OSD	Camera title, Time, Video loss, Camera lock, Motion detection, Recording	
	Recording Resolution	Configurable from 12.0MP (4000 x 3000) to CIF (352 x 288)	
	Incoming Bandwidth	320Mbps	
	Decoding Capacity	4 channel: 8.0MP (30fps) / 16 channel: 1080p (30fps)	
	Video Compression	H.265+ / H.265 / H.264+ / H.264 / MJPEG	
	Bit Rate	16kbps ~ 20Mbps per channel	
	Record Modes	Manual / Schedule (Regular [Continuous], Motion Detection, Alarm) / Stop	
Features	Record Interval	1~120 min (default: 60 min) / Pre-record: 1~30s / Post-record: 10~300s	
	Alarm Input / Output	4 channels input / 2 channels relay output (N.O/N.C)	16 channels input / 6 channels relay output (N.O/N.C)
	Trigger Events	Recording, PTZ, Tour, Alarm, Video Push, Email, FTP, Snapshot, Buzzer, Screentips	
	Video Detection	Motion Detection, Motion Zones: 396 (22 x 18), Video Loss & Tampering	
	Playback Sync	1/4/9/16	
Network	Search Modes	Time/Date, Alarm, Motion Detection, Exact Search (to the second), Smart Search	
	Backup Modes	USB Device / Network	USB Device / Network / eSATA Device / Internal SATA burner
	Ethernet	1 x RJ-45 port (10/100/1000Mbps)	2 x RJ-45 port (10/100/1000Mbps), Independant or Joint Working
	Power over Ethernet	N/A	
	Network Functions	HTTP, HTTPS, TCP/IP, IPv4/IPv6, UPnP, SNMP, RTSP, UDP, SMTP, NTP, DHCP, DNS, IP Filter, PPPoE, DDNS, FTP, Alarm Server, IP Search, Easy4IP	
	Optical Interface	N/A	
	Max. User Access	128 users	
Storage	Remote View	iOS (iPhone, iPad) / Android devices	
	Internal HDD	2 x SATA ports up to 10TB, max. 20TB HDD capacity	4 x SATA ports up to 10TB, max. 40TB HDD capacity
	HDD Modes	Single (no RAID compatibility)	
	USB Interface	3 ports: 2 x Rear USB3.0 / 1 x Front USB2.0	
Environment	Auxiliary Inputs	1 x RS232 / 1 x RS485	1 x RS232 / 1 x RS485 / 1 x eSATA
	Power Supply	12VDC / 4A	100 ~ 240VAC, 50 ~ 60Hz
	Power Consumption	<9.5W (without HDD)	<16.7W (without HDD)
	Operating Environment	-10 ~ 55°C / 10 ~ 90%RH / 86 ~ 106kpa	
	Dimensions / Rack Units	375 x 282 x 52mm / 1U	440 x 411 x 76mm / 1.5U
Weight	1.6kg (without HDD)	4.30kg (without HDD)	

## Application





# Professional AI Series Network Video Recorders

## Series Overview

Transform the surveillance experience and achieve more with Professional AI Series NVRs. This powerful new AI technology used in these recorders enables cutting edge security features, including reliable face detection, face recognition, person/vehicle identification and accurate people counting.

Increase security and efficiency in business operations with advanced features, including fast footage searching by face, real time alerts for traffic thresholds & blacklisted faces and metadata statistics.

## Model Reference

SKU	Description
NVR16PRO-I	16 Channel AI NVR (320Mbps, 16 x PoE, 8 x ePoE)
NVR32PRO16P-I	32 Channel AI NVR (320Mbps, 8 x ePoE, 8 x PoE)



### Record up to 16.0MP

Capture footage beyond Ultra HD with up to 4920 x 3264 resolution.



### Weeks of stored footage

Store weeks of recorded footage with HDD capacity up to 56TB.



### Extended Power over Ethernet

Utilise PoE over a long distance, with a maximum range of 800m.



### Scalable CCTV systems

Connect any camera across the network, with 16 and 32 channel systems.



### Multiple backup options

Save & backup footage on a local area network or external USB device.



### Face detection & recognition

Reliably identify faces for face capture and recognises from reference image.

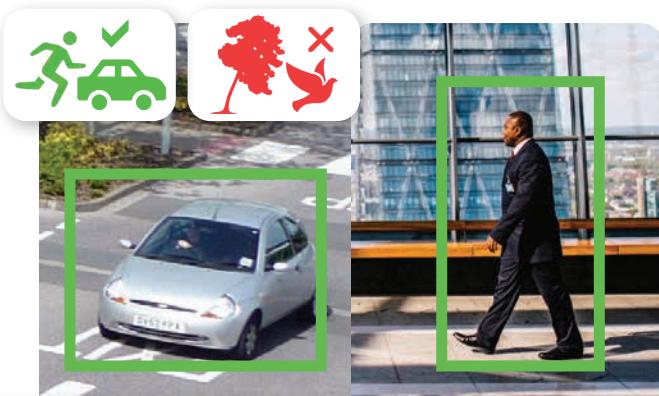
## Series Highlights



### Surveillance systems made smarter with Face/Vehicle Detection and Recognition

Create surveillance systems more powerful than ever before with AI technology. With advanced machine learning technology, the system can recognise people by comparing to the face database, accurately identify people & vehicles, and much more.

- **Face Recognition:** Identify & alert in real time, with up to 4 channels of video stream facial recognition.
- **Person tracking:** Track and search for people via face capturing. Track people across channels & use image search to find people via VIP Vision™ DSS.
- **Change the way you search:** Quickly search by face with face detection snapshots, or by person with face recognition.
- **Intelligent access control:** Identify strangers and VIPs and create whitelists/blacklists to control entry.
- **Business intelligence:** Generate statistical report analysis, based on facial features (eg. age, gender & expression) to gather data and improve the user's business.



### Accurate person & vehicle detection with Perimeter Protection & Smart Motion Detection

Pro AI Series NVRs can distinguish people, vehicle and other moving objects in real time, with alarm settings that can be configured to respond to any desired trigger.

- Filter false alarms and motion detection alerts with the AI detection of vehicles and people up to 16 channels
- Use Smart Motion Detection with any VIP Vision IP Camera
- Monitor areas and limit access using intelligent video rules to alert you to unauthorised people or vehicles
- Receive people and vehicle notifications to your devices
- Faster footage searching with motion event highlights



### Fast playback searching with footage browsing via snapshot

Instead of manually searching through footage to find a moment involving a specific person, the user can directly jump to the time stamp by clicking the person's portrait in the Face Detect menu.

- **Face Search:** Browse face snapshots and select to play a video clip from when the face was detected
- **High Clarity:** Only saves clear snapshots, discarding blurry or dark images

# AI

ARTIFICIAL INTELLIGENCE

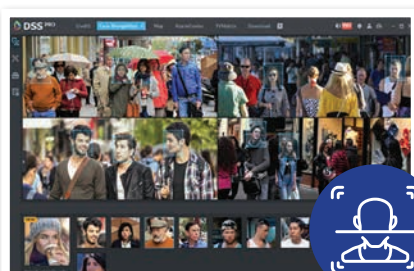


# AI-enhanced surveillance.

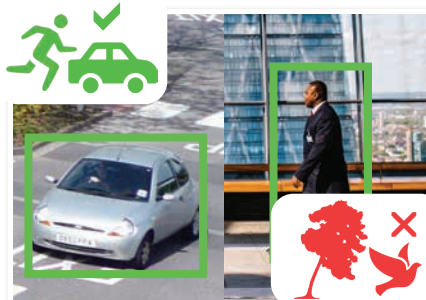
## Professional AI Series: Intelligent PoE AI NVRs in 16 and 32 channels

The VIP Vision™ Professional AI Series offers advanced technologies to transform the way surveillance works for you. Monitor your operations with greater efficiency, security & reliability using intelligent face recognition, people/vehicle identification & more. Identify strangers & VIPs, create blacklists, search footage playback and receive intelligent alerts to your devices for highly reliable security notifications.

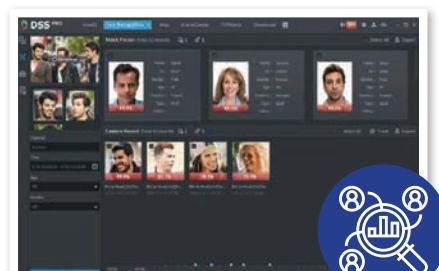
- Record beyond Ultra HD up to 16.0MP (4920 x 3264)
- Up to 320Mbps incoming bandwidth, H.265+ support
- HDD support for up to 56TB footage storage
- Built in PoE switches, ePoE & EoC support for ports 1-8
- Native Ultra HD live view on 4K monitors via HDMI
- Perimeter protection with up to 10 IVS rules per channel for accurate vehicle and people detection
- Identify people for security & business intelligence with up to 16 channels of face recognition (with Ult. AI cameras)
- Receive face recognition & perimeter alerts on device(s)





AI Powered Facial Recognition



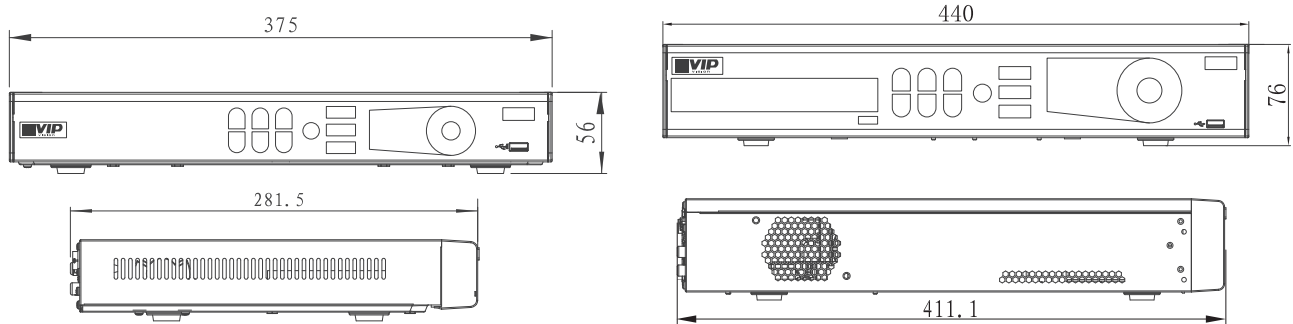
Smart Person & Vehicle Detection



Intelligent Footage Searching

Specifications	16 Channel AI NVR	32 Channel AI NVR
Product Image		
Ordering Information	<b>NVR16PRO-I</b>	<b>NVR32PRO16P-I</b>
Main Processor / OS	Multi-core embedded processor, embedded LINUX OS	
Video Input	16 Channels	32 Channels
Two-way Talk	1 Channel Input, 1 Channel Output, RCA	
Interoperability	ONVIF 2.4, SDK, CGI	
Video Output	1 x HDMI, 1 x VGA	2 x HDMI, 1 x VGA
Display Resolution	Configurable from 3840 x 2160 to 1024 x 768	
Display Split	1/4/8/9/16	1st screen - 1/4/8/9/16/25/36, 2nd screen - 1/4/8/9/16
OSD	Camera title, Time, Video loss, Camera lock, Motion detection, Recording	
Recording Resolution	Configurable from: 16.0MP (4920 x 3264) to D1 (704 x 480)	
Incoming Bandwidth	320Mbps (160Mbps when AI function is enabled)	
Decoding Capacity	4 channel: 8.0MP (30fps) / 16 channel: 1080p (30fps)	
Video Compression	H.265+ / H.265 / H.264+ / H.264 / MJPEG	
Record Modes	Manual, Schedule (Continuous, MD (Motion Detection), Alarm, IVS)	
Record Interval	1~120 min (default: 60 min) / Pre-record: 1~30s / Post-record: 10~300s	
Performance	Approx. 16 channels face recognition with Ultimate AI cameras / Approx. 4 channels face recognition with Professional AI & standard cameras <i>(Performance varies depending on camera and resolution)</i>	
Stranger Mode	Detect strangers face (not in database)	
AI Search	Up to 8 target face images at the same time	
Database Management	Up to 20 face databases with 100,000 face images in total. Name, gender, birthday, nationality, address, ID information can be added to each face picture	
Database Application	Each database can be applied to video channels independently	
Trigger Events	Buzzer, Voice Prompts, Email, snapshot, Recording, Alarm Out, PTZ activation, etc.	
Performance	16 Channels, 10 IVS rules for each Channel	
AI Search	Search by target classification (Human, Vehicle)	
Object Classification	Human / vehicle secondary recognition for tripwire and intrusion	
Face	Gender, age, glasses, beard, mask	
Vehicle	Vehicle colour, vehicle model, vehicle logo, plate colour, vehicle decorations, call, seatbelt	
Human Body	Tops style, tops colour, bottom style, bottom colour, hat , bag	
Non-motor Vehicle	Type, colour, people, number	
AI Search	Support search target video by metadata	
Alarm Input / Output	4 channel alarm inputs / 2 channel relay output	16 channel alarm inputs / 6 channel relay outputs
Trigger Events	Alarm Out, Video Push, Email, Recording, PTZ, Tour, Snapshot, Voice Prompt , Buzzer & Screen Tips	
Video Detection	Motion Detection, MD Zones: 396 (22 x 18), Video Loss, Tampering & Scene Change	
Playback Sync	1/4/9/16	
Search Modes	Time / Date, Alarm, MD & Exact Search (to the second)	
Backup Modes	USB Device / Network	USB Device / Network / eSATA Device
Ethernet	1 RJ45 Ports (10/100/1000Mbps)	
Power over Ethernet	16 Ports (IEE802.3af/at), 1-8 Ports Support ePoE & EoC	
ePoE Range	300m (100Mbps, 25.5W), 800m (10Mbps, 13W)	
Network Functions	HTTP, HTTPS, TCP/IP, IPv4/IPv6, UPnP, SNMP, RTSP, UDP, SMTP, NTP, DHCP, DNS, IP Filter, PPoE, DDNS, FTP, Alarm server, IP Search (supports VIP Vision cameras/NVRs), P2P	
Max. User Access	128 users	
Remote View	IOS (iPhone,iPad), Android Devices	
Internal HDD	2 x SATA III Ports up to 8TB, max. 16TB HDD capacity	4 x SATA III Ports up to 14TB, max. 56TB HDD capacity
HDD Modes	N/A	
USB Interface	2 x USB Ports (1 x Rear USB 3.0, 1 x Front USB 2.0)	3 x USB Ports (2 x Rear USB 3.0, 1 x Front USB 2.0)
Auxiliary Inputs	1 x RS232, 1 x RS485	
Power Supply	Single, 100V~240VAC, 40~60Hz	
Power Consumption	<16.5W (without HD)/ PoE: Max 25.5W for single port, 130W total	<21.1W (without HDD) / PoE: 25.5W per port, 150W total
Operating Environment	-10°C ~ +55°C / 0 ~ 90%RH / 86 ~ 106kpa	
Dimensions / Rack Units	375mm x 327mm x 53mm, 1U	440mm x 411mm x 76mm / 1.5U
Weight	2.70kg (without HDD)	5.00kg (without HDD)

## Application





# Mobile Series Network Video Recorders

## Series Overview

Mobile Series NVRs offer purpose built vehicle surveillance for fleet vehicles across a wide variety of applications. They are ideal in freight & logistics, public transportation, law enforcement, taxi & rideshare services, and more.

Record precision GPS data, remote view via 4G/ WiFi, and integrate almost any of the VIP Vision camera range in vehicles with Mobile Series NVRs.

## Model Reference

SKU	Description
MNVR-GPS4	4 Channel Mobile NVR (GPS)
MNVR-GPS4GW	4 Channel Mobile NVR (GPS, 4G & WiFi)
MNVR-GPS8GW	8 Channel Mobile NVR (GPS, 4G & WiFi)



### Record up to Full HD 1080p

Mobile footage captured in full HD resolution 1920 x 1080



### Robust chassis & HDD caddy

2 DIN mobile-ready chassis with 2 x 2.5" SATA slots and SD card slots



### Mobile Power over Ethernet

Ease of installation and minimal cable runs with PoE mobile NVRs



### Utilise the VIP Vision range

Pick from the large VIP Vision camera range to best suit your vehicle



### Multiple backup options

Backup direct to USB drive; via HDD caddy using a PC; or via WiFi



### Display to in-vehicle monitors

Common video output options via HDMI and VGA for in-vehicle CCTV display

## Series Highlights

### Purpose built mobile surveillance with robust construction and vibration dampening

Ensure reliable surveillance operation & storage with Mobile Series NVRs. Each feature a robust chassis for continued performance in challenging environments encountered by your vehicle.

- Tough extruded aluminium, 2 DIN size chassis
- Vibration dampening HDD mount for reliability
- Lockable HDD caddy, prevents footage theft



### 24/7 vehicle GPS tracking with high precision GPS module

Each Mobile Series NVR features a built-in GPS module so you can include important GPS data as part of your video records.

- Search playback footage by timestamp & location using Google Maps® overlay
- Support video evidence with GPS data



### Integrate CCTV into your vehicle with Power over Ethernet and multiple I/O support

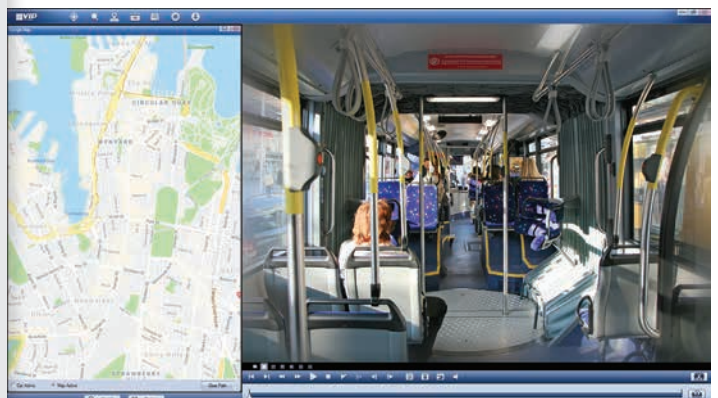
Power & connect VIP Vision IP cameras to your NVR quickly with built in PoE. Expand your monitoring to include vehicle systems with CAN bus support & more.

- 4 port & 8 port Power over Ethernet mobile NVRs
- CAN bus, RS232, RS485, g-sensor, alarm input, relay output for integration to fuel sensor, alarm, etc.

### Connect remotely to your vehicle with optional 4G and WiFi connectivity modules

Manage larger fleets remotely with 4G and WiFi connectivity. Monitor cabin & cargo, confirm driver locations, identify delays, & perform time critical applications all in real-time.

- Live view and playback vehicle footage via 4G mobile Internet and WiFi
- Backup via WiFi when returned to base



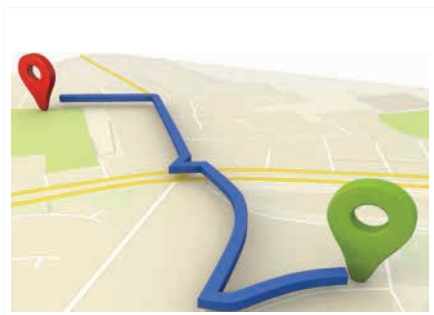


# Full HD vehicle surveillance.

## Mobile NVR Series: PoE NVRs with GPS & optional 4G / WiFi, in 4 & 8 channels

Mobile Series NVRs offer Full HD recording, GPS overlay and Power over Ethernet in a robust metal chassis. They are ideal for large vehicle surveillance and are available with optional 4G and WiFi for remote viewing capabilities.

- Records up to Full HD 1080p (1920 x 1080)
- Combines video footage with GPS tracking overlay
- Lockable HDD & SIM slot for secure footage retrieval
- 2.5" SATA bays for HDD, SD storage up to 128GB
- Built-in Power over Ethernet (PoE) ports
- Robust housing; vibration-dampening construction
- Double DIN standard size for all models
- Backup via external USB device or local network
- Available in 4G & WiFi model to allow mobile remote viewing from anywhere (*SIM not included*)



**High Precision GPS Tracking**





**Built-in Power over Ethernet**

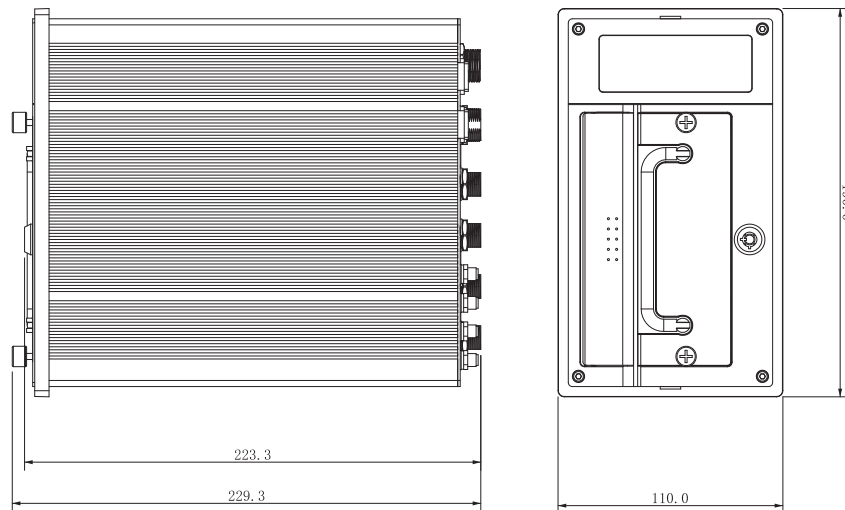


**Robust Chassis & Lockable HDD Tray**



Specifications		4 Channel Mobile NVR	8 Channel Mobile NVR
Model	Product Image		
	Ordering Information	<b>MNVR-GPS:</b> 4 Channel, Includes GPS <b>MNVR-GPS4GW:</b> 4 Channel, Includes GPS, 4G & WiFi	<b>MNVR-GPS8GW:</b> 8 Channel, Includes GPS, 4G & WiFi
General	Main Processor	Embedded Processor	
	Operating System	Embedded Linux	
	Video Input	4 channels	8 channels
Display	Two-way Talk	1 channel input, 1 channel output (aviation connector), RCA	
	Interoperability	ONVIF 2.3 conformant	
	Video Output	1 x HDMI, 1 x VGA, 2 x TV	1 x VGA
Recording	Display Resolution	Configurable from 1920 x 1080 to 1024 x 768	
	Display Split	1/4	
	OSD	Camera title, Time, Video loss, Camera lock, Motion detection	
Features	Recording Resolution	Configurable from 1080p (1920 x 1080) to D1 (704 x 576)	
	Recording Rate	200Mbps	
	Video Compression	H.264	
Network	Bit Rate	H.264: 48 ~ 8192Kbps	
	Record Modes	Manual / Schedule (Regular [Continuous], MD, Alarm) / Stop	
	Record Interval	1~120 min (default: 60 min) / Pre-record: 1~30s / Post-record: 10~300s	
Storage	Alarm Input / Output	8 channels input / 2 channels relay output	
	Trigger Events	Recording, PTZ, Tour, Alarm, Video Push, Email, FTP, Buzzer	
	Video Detection	Motion Detection, Motion Zones: 396 (22 x 18), Video Loss & Tampering	
Environment	Playback Sync	1/4	
	Search Modes	Time/Date, Alarm, By Motion, Exact search, Smart search	
	Backup Modes	USB Device / eSATA Device / Network	
Application	Ethernet	1 x RJ-45 port (10/100/1000M)	
	Power over Ethernet	4 ports (IEEE802.3af)	8 ports (IEEE802.3af/at)
	Network Functions	HTTP, IPv4, TCP/IP, RTSP, UDP, SMTP, NTP, DHCP, DNS, DDNS, FTP, IP Filter	
Application	GPS Functions	Built-in high precision GPS module / Overlay: car number, time, position, speed	
	Max. User Access	128 users	
	Remote View	iOS (iPhone, iPad); Android devices, Windows Phone (Requires optional 3G/4G module)	
Application	Internal HDD	2 x 2.5" SATA ports, up to 8TB / 1 x SD card slot, up to 128GB	
	HDD Modes	Single (no RAID compatibility)	
	USB Interface	3 ports: 2 x USB3.0 (front), 1 x USB2.0 (rear)	
Application	Auxiliary Inputs	1 x RS232 / 1 x RS485	
	Power Supply	6 ~ 36VDC	
	Power Consumption	< 15W (without HDD)	
Application	Operating Environment	-30 ~ +60°C / 0~90%RH	
	Dimensions / Rack Units	190 x 229 x 110mm / 2 DIN	
	Weight	3.0kg (without HDD)	

## Application





# Professional Series Motorised IP Cameras

## Series Overview

Enjoy the versatility of motorised lens surveillance with the Professional Series, available in bullet, dome & turret models.

The range features modern, desirable camera features to ensure high quality evidence in all standard surveillance applications.

## Model Reference

SKU	Description
VSIPP-4BIRMG	4.0MP Motorised Bullet
VSIPP-8BIRMG	8.0MP Motorised Bullet
VSIPP-4DIRMD	4.0MP Motorised Dome
VSIPP-8DIRMD	8.0MP Motorised Dome
VSIPP-4DIRMG	4.0MP Motorised Turret
VSIPP-8DIRMG	8.0MP Motorised Turret



### Stream up to Ultra HD

Capture footage at 4K / Ultra HD with up to 3840 x 2160 resolution.



### Clear Footage at All Hours

With low light colour, True WDR & auto white balance.



### Extended Power over Ethernet

Utilise PoE over a long distance, with a maximum range of 800m.



### Intelligent Video Systems

Impressive CCTV features with Tripwire, Intrusion, Face/Motion Detect & more.



### Recording at the Edge

Record at the edge & add reliability with microSD storage up to 128GB.



### High Efficient Video Coding

Advanced H.265 encoding saves up to 50% on bandwidth and storage.

## Series Highlights

### The all-purpose CCTV solution range with motorised bullets, domes & turrets up to 4K

Achieve more with motorised varifocal cameras, featuring remote zoom & focus configuration as standard.

- Stream up to 4K / Ultra HD 8.0MP at 15fps
- Motorised varifocal for remote setting of zoom/focus
- Audio input/output and alarm input/output
- Low light colour footage at lighting as low as 0.008lx



### Capture clear video evidence with True WDR & lighting compensation

Professional Series motorised cameras feature several auto image adjustment technologies, ensuring clear footage in almost any installation setting.

- True WDR (120dB), 3D digital noise reduction, back/highlight compensation across the range
- Impressive low light colour image performance



### Edge recording & backup with microSD storage cameras

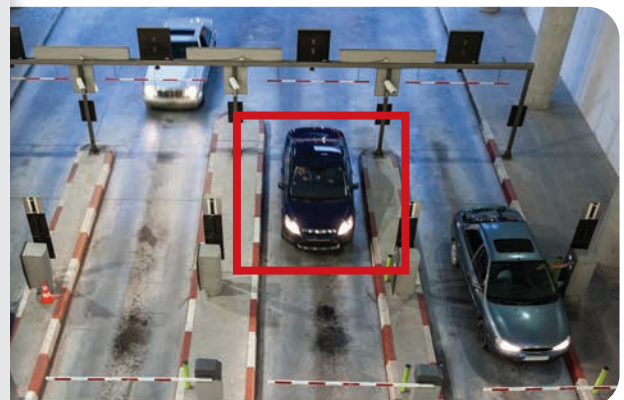
Professional Series cameras support microSD storage for improved CCTV reliability or for recording without an NVR.

- Support for microSD cards up to 128GB
- Automatic network replenishment (ANR) after NVR connection loss

### Get the most out of surveillance with intelligent video surveillance features

Professional Series cameras feature intelligent video functions to enable smarter surveillance notifications, footage playback and remote view.

- Set motion detection for easy playback of footage
- Mask sensitive areas & configure regions of interest
- Receive alarm alerts from virtual tripwires, area intrusion, missing objects, face detection & more





# Stellar 4K image quality.

Professional Series: Motorised lens bullets available in 4.0MP & 8.0MP

Each motorised camera in the Professional Series can be remotely configured for a wide or narrow field of view, allowing for hassle-free installations and adjustments should surveillance requirements or the environment change.

- Stream up to Ultra HD 8.0MP (3840 x 2160) at 15fps
- H.265 encoding for efficient storage & streaming
- Long 60m infrared range; true day/night (auto ICR)
- MicroSD slot for recording at the edge up to 128GB
- Tripwire and intrusion intelligent video analytics
- Easy field of view adjustment with motorised lens
- Back/highlight compensation & true WDR (120dB)
- 3D digital noise reduction & auto white balance
- IP67 weather rated housing for outdoor use
- Audio input/output and alarm input/output





Stream up to 4K Ultra HD Quality



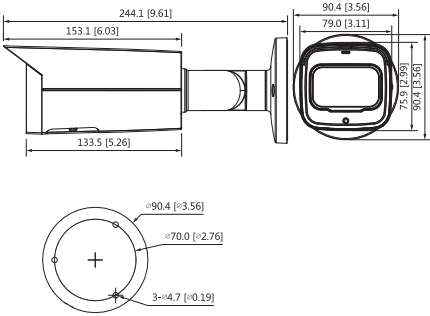
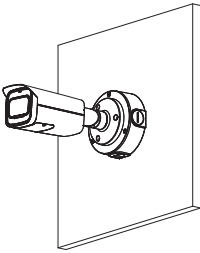
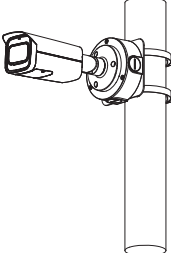
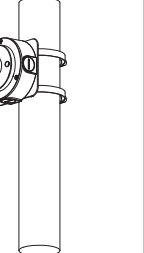
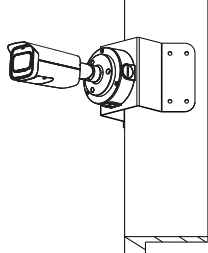
IP67 Weather Resistance



Intelligent Video Functions

Specifications		4.0MP Motorised Bullet	8.0MP Motorised Bullet	
Model	Product Image			
	Ordering Information	<b>VSIPP-4BIRMG</b>	<b>VSIPP-8BIRMG</b>	
Camera	Image Sensor	1/3" 4.0MP Progressive Scan CMOS	1/2.7" 8.0MP Progressive Scan CMOS	
	Effective Pixels	2688 (H) x 1520 (V)	3840 (H) x 2160 (V)	
	RAM / ROM	128MB / 128MB	512MB / 128MB	
	Min Illumination	0.008 Lux/F1.5 (Color)		
Lens	S/N Ratio	> 45dB	> 50dB	
	Infrared System	4 x Infrared LED, 60m range, Auto/manual on/off control		
	Lens / Iris	2.7 ~ 13.5mm F1.5 Motorised Varifocal Lens with Fixed Iris		
	Field of View	Horizontal: 104°~27°, Vertical: 55°~15° (5x Optical Zoom)	Horizontal: 113°~31°, Vertical: 58°~17° (5x Optical Zoom)	
DORI	Focus	Auto Focus / 0.8m Min. Focus Distance		
	Detect (25px/m)	64m (wide) / 220m (tele)	85m (wide) / 280m (tele)	
	Observe (63px/m)	26m (wide) / 88m (tele)	34m (wide) / 112m (tele)	
	Recognise (125px/m)	13m (wide) / 44m (tele)	17m (wide) / 56m (tele)	
	Identify (250px/m)	6m (wide) / 22m (tele)	8m (wide) / 28m (tele)	
Video	Resolution	4.0MP (2688 x 1520) to CIF (352 x 288)	8.0MP (3840 x 2160) to CIF (352 x 288)	
	Frame Rate	Main	4.0MP (1 ~ 20fps) / 3.0MP (1 ~ 25fps)	8.0MP (1 ~ 15fps) / 2.0MP (1 ~ 25fps)
		Sub	D1 (1 ~ 25fps)	
		Third	N/A	
	Video Compression	H.265+ / H.265 / H.264+ / H.264		
	Bit Rate	H.265: 12 ~ 6144Kbps / H.264: 32 ~ 6144Kbps	H.265: 12 ~ 8192Kbps / H.264: 32 ~ 8192Kbps	
	Bit Rate Control	Constant bit rate (CBR) / Variable bit rate (VBR)		
	Day/Night	Auto (ICR) / Color / B&W		
	Lighting Compensation	BLC / HLC / WDR (120dB)		
	White Balance	Auto / Natural / Street Lamp / Outdoor / Manual		
Gain Control	Auto / Manual			
Noise Reduction	3D DNR			
Picture Control	Mirror / Flip (0°, 90°, 180°, 270°) (VSIP8MPFBIRMD: Resolution must be at 4.0MP or lower for corridor mode)			
IVS	Intelligent Functions	Motion Detection (4 zones), Region of Interest (4 zones), Privacy Masking (4 zones), Smart Infrared, Tripwire, Intrusion		
	Ethernet	RJ-45 (10/100Base-T)		
	Protocol	IPv4; IPv6; HTTP; HTTPS; TCP; UDP; ARP; RTP; RTSP; RTCP; RTMP; SMTP; FTP; SFTP; DHCP; DNS; DDNS; QoS; UPnP; NTP; Multicast; ICMP; IGMP; NFS; PPPoE; 802.1x; Bonjour		
	Streaming Method	Unicast / Multicast		
Interface	Max. User Access	10 Users / 20 Users		
	Video Interface	N/A		
	Audio Interface	1 input (RCA Port) / 1 output (RCA Port) / Audio Compression - G.711a; G.711Mu; G726; AAC		
	Alarm Interface	1 channel in: 5mA 5VDC / 1 channel out: 300mA 12VDC		
	RS485	N/A		
	Edge Storage	MicroSD Card (up to 256GB) / NAS / FTP / SFTP / Local PC		
	Interoperability	ONVIF (Profile S/Profile G/Profile T) / P2P / CGI / Milestone / Genetec		
Environmental	Power Supply	12VDC / PoE (802.3af)		
	Power Consumption	<9.6W	<9.9W	
	Operating Conditions	-30° ~ +60° C / ≤95% RH		
	Ingress Protection	IP67		
	Vandal Resistance	N/A		
	Housing	Metal		
	Pan/Tilt/Rotation	Pan: 0° ~ 360°; Tilt: 0° ~ 90°; Rotation: 0° ~ 360°		
	Dimensions	Ø90mm x 244mm		
Net Weight	0.90kg			

## Application

						
	VSBKTA130E	VSBKTA122	VSBKTA130E + VSBKTA152E	VSBKTA122 + VSBKTA15E	VSBKTA130E + VSBKTA151	VSBKTA122 + VSBKTA151



# Every application sorted.

## Professional Series: Motorised lens domes available in 4.0MP & 8.0MP

The versatile dome camera that can fit any application. Each dome in this series features an array of tools to perform in just about any environment, with a vandal & weather rated housing, infrared, remote zoom control & more.

- Stream up to Ultra HD 8.0MP (3840 x 2160) at 15fps
- H.265 encoding for efficient storage & streaming
- Up to 40m infrared range; true day/night (auto ICR)
- Tripwire and intrusion intelligent video analytics
- Excellent low light colour performance
- Easy field of view adjustment with motorised lens
- Back/highlight compensation & true WDR (120dB)
- MicroSD slot for recording at the edge up to 256GB
- IP67/IK10 weather/vandal rated dome housing
- Audio input/output and alarm input/output



Stream up to 4K Ultra HD Quality





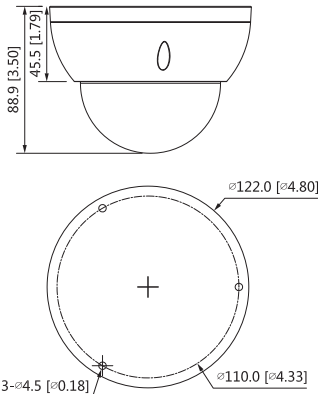
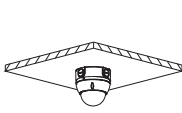

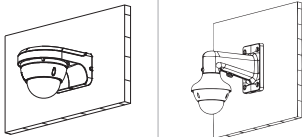
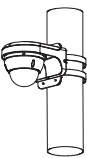
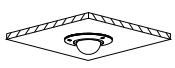
Weather & Vandal Resistance



Intelligent Video Functions

# Professional Series Motorised Domes | Series Specifications

Specifications		4.0MP Motorised Dome	8.0MP Motorised Dome	
Model	Product Image			
	Ordering Information	<b>VSIPP-4DIRMD</b>	<b>VSIPP-8DIRMD</b>	
Camera	Image Sensor	1/3" 4.0MP Progressive Scan CMOS	1/2.7" 8.0MP Progressive Scan CMOS	
	Effective Pixels	2688 (H) x 1520 (V)	3840 (H) x 2160 (V)	
	RAM / ROM	128MB / 128MB	256MB / 128MB	
	Min Illumination	0.008 Lux/F1.5 (Color)		
Lens	Infrared System	2 x Infrared LED, 40m range, Auto/manual on/off control		
	Lens / Iris	2.7 ~ 13.5mm F1.5 Motorised Varifocal Lens with Fixed Iris		
DORI	Field of View	Horizontal: 104~27°, Vertical: 55°~15° (5x Optical Zoom)	Horizontal: 113~31°, Vertical: 58°~17°	
	Focus	Auto Focus / 0.8m Min. Focus Distance		
Video	Detect (25px/m)	64m (wide) / 220m (tele)	85.3m (wide) / 280m (tele)	
	Observe (63px/m)	26m (wide) / 88m (tele)	34.1m (wide) / 112m (tele)	
	Recognise (125px/m)	13m (wide) / 44m (tele)	17m (wide) / 56m (tele)	
	Identify (250px/m)	6m (wide) / 22m (tele)	8.5m (wide) / 28m (tele)	
Interface	Resolution	4.0MP (2688 x 1520) to CIF (352 x 288)	8.0MP (3840 x 2160) to CIF (352 x 288)	
	Frame Rate	Main	4.0MP (1 ~ 20fps) / 2.0MP (1 ~ 25fps)	8.0MP (1 ~ 15fps) / 4.0MP (1 ~ 25fps)
		Sub	D1 (1 ~ 25fps)	
		Third	N/A	
	Video Compression	H.265+ / H.265 / H.264+ / H.264 / H.264B / MJPEG		
	Bit Rate	H.265: 12 ~ 6144Kbps / H.264: 32 ~ 6144Kbps		
	Bite Rate Control	Constant bit rate (CBR) / Variable bit rate (VBR)		
	Day/Night	Auto (ICR) / Color / B&W		
	Lighting Compensation	BLC / HLC / WDR (120dB)		
	White Balance	Auto / Natural / Street Lamp / Outdoor / Manual / Regional Custom		
Gain Control	Auto / Manual			
IVS	Noise Reduction	3D DNR		
	Picture Control	Mirror / Flip (0°, 90°, 180°, 270°) (Resolution must be at 4.0MP or lower for corridor mode)		
Network	Intelligent Functions	Motion Detection (4 zones), Region of Interest (4 zones), Privacy Masking (4 zones), Smart Infrared, Tripwire, Intrusion		
	Ethernet	RJ-45 (10/100Base-T)		
	Protocol	IPv4; IPv6; HTTP; HTTPS; TCP; UDP; ARP; RTP; RTSP; RTCP; RTMP; SMTP; FTP; SFTP; DHCP; DNS; DDNS; QoS; UPnP; NTP; Multicast; ICMP; IGMP; NFS; PPPoE; 802.1x; Bonjour		
	Streaming Method	Unicast / Multicast		
Environmental	Max. User Access	20 Users		
	Video Interface	N/A		
	Audio Interface	1 input (RCA Port) / 1 output (RCA Port) / Audio Compression - G.711a; G.711mu; G.726; AAC		
	Alarm Interface	1 channel in: 5mA 5VDC / 1 channel out: 300mA 12VDC		
	RS485	N/A		
	Edge Storage	MicroSD Card (up to 256GB) / NAS / FTP / SFTP		
Environmental	Interoperability	ONVIF (Profile S / Profile G / profile T) / P2P / CGI / Milestone / Genetec		
	Power Supply	12VDC / PoE (802.3af)		
	Power Consumption	<6.5W	<7.4W	
	Operating Conditions	-30° ~ +60° C / ≤95% RH		
	Ingress Protection	IP67		
	Vandal Resistance	IK10		
	Housing	Metal		
	Pan/Tilt/Rotation	Pan: 0° ~ 355° ; Tilt: 0° ~ 75° ; Rotation: 0° ~ 355°		
	Dimensions	Ø122mm x 89mm		
	Net Weight	0.47kg		

Application					
	 Junction Box VSBKTA137      VSBKTA123		 Weather Shield VSBKTA137 + VSBKTA200W	 Wall Mount VSBKTB203W      VSBKTA106 + VSBKTB305W	
	 Pole Mount VSBKTA106 + VSBKTB305W + VSBKTA150      VSBKTA137 + VSBKTA152E      VSBKTB203W + VSBKTA152E			 Ceiling Mount VSBKTA123 + VSBKTA152E      VSBKTB200C      VSBKTA106 + VSBKTB220C (+ VSBKTA117 extension)	



# Superb image clarity.

Professional Series: Motorised lens turrets available in 4.0MP & 8.0MP

Experience 4K Ultra HD quality surveillance with the Professional series turrets. Enjoy clear images in up to 4K Ultra HD with a flat lens cover to prevent distortion, plus the convenience of motorised lens for remote zoom adjustments.

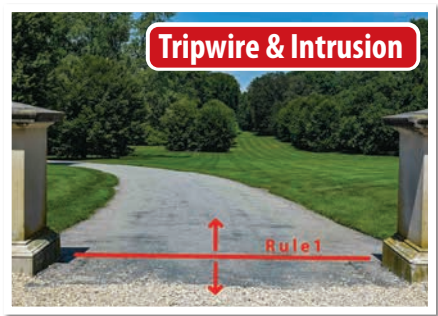
- Stream up to 8.0MP (3840 x 2160) at 15fps
- H.265 encoding for efficient storage & streaming
- Up to 40m infrared range; true day/night (auto ICR)
- MicroSD slot for recording at the edge up to 256GB
- Tripwire and intrusion intelligent video analytics
- Easy field of view adjustment with motorised lens
- Back/highlight compensation & true WDR (120dB)
- 3D digital noise reduction & auto white balance
- IP67 weather rated full metal turret dome housing
- Impressive low light colour performance at 0.008lx



Stream up to 4K Ultra HD Quality





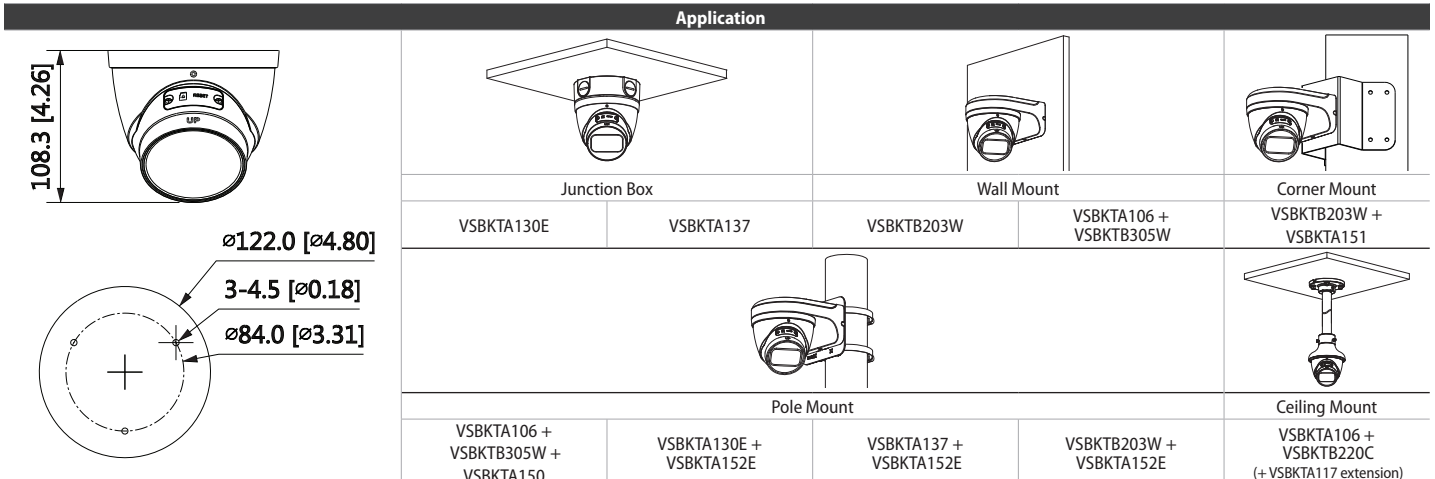
IP67 Weather Resistance



Intelligent Video Functions



Specifications		4.0MP Motorised Turret	8.0MP Motorised Turret
Model	Product Image		
	Ordering Information	<b>VSIPP-4DIRMG</b>	<b>VSIPP-8DIRMG</b>
Camera	Image Sensor	1/3" 4.0MP Progressive Scan CMOS	1/2.7" 8.0MP Progressive Scan CMOS
	Effective Pixels	2688 (H) x 1520 (V)	3840 (H) x 2160 (V)
	RAM / ROM	128MB / 128MB	256MB / 128MB
	Min Illumination	0.008 Lux/F1.5 (Color), 0 Lux/F1.5 (IR on)	
	S/N Ratio	N/A	
	Infrared System	2 x Infrared LED, 40m range, Auto/manual on/off control	
Lens	Lens / Iris	2.7 ~ 13.5mm F1.5 Motorised Varifocal Lens with Fixed Iris	
	Field of View	Horizontal: 104~27°, Vertical: 55°~15°	Horizontal: 113~31°, Vertical: 58°~17°
	Focus	Auto Focus / 0.8m Min. Focus Distance	
DORI	Detect (25px/m)	64m (wide) / 220m (tele)	85.3m (wide) / 280m (tele)
	Observe (63px/m)	25.6m (wide) / 88m (tele)	34.1m (wide) / 112m (tele)
	Recognise (125px/m)	12.8m (wide) / 44m (tele)	17m (wide) / 56m (tele)
	Identify (250px/m)	6.4m (wide) / 22m (tele)	8.5m (wide) / 28m (tele)
	Resolution	4.0MP (2688 x 1520) to CIF (352 x 288)	8.0MP (3840 x 2160) to CIF (352 x 288)
Video	Frame Rate	Main	4.0MP (1 ~ 20fps)
		Sub	D1 (1 ~ 25fps)
		Third	N/A
	Video Compression	H.265+ / H.265 / H.264+ / H.264 / H.264B / MJPEG	
	Bit Rate	H.265: 12 ~ 6144Kbps / H.264: 32 ~ 6144Kbps	H.265: 12 ~ 8192Kbps / H.264: 32 ~ 8192Kbps
	Bite Rate Control	Constant bit rate (CBR) / Variable bit rate (VBR)	
	Day/Night	Auto (ICR) / Color / B&W	
	Lighting Compensation	BLC / HLC / WDR (120dB)	
	White Balance	Auto / Natural / Street Lamp / Outdoor / Manual / Regional Custom	
	Gain Control	Auto / Manual	
	Noise Reduction	3D DNR	
	Picture Control	Mirror / Flip (0°, 90°, 180°, 270°) (Resolution must be at 4.0MP or lower for corridor mode)	
IVS	Intelligent Functions	Tripwire, Intrusion, Motion Detection (4 zones), Region of Interest (4 zones), Privacy Masking (4 zones), Smart Infrared	
	Network	RJ-45 (10/100Base-T)	
Interface	Protocol	Pv4; IPv6; HTTP; HTTPS; TCP; UDP; ARP; RTP; RTSP; RTCP; RTMP; SMTP; FTP; SFTP; DHCP; DNS; DDNS; QoS; UPnP; NTP; Multicast; ICMP; IGMP; NFS; PPPoE; 802.1x; Bonjour	
	Streaming Method	Unicast / Multicast	
	Max. User Access	20 Users	
	Video Interface	N/A	
	Audio Interface	N/A	
	Alarm Interface	N/A	
	RS485	N/A	
	Edge Storage	MicroSD Card (up to 256GB) / FTP / SFTP / NAS	
	Interoperability	ONVIF (Profile S / Profile G / Profile T) / P2P / CGI / Milestone / Genetec	
Environmental	Power Supply	12VDC / PoE (802.3af)	
	Power Consumption	<6.4W	<7.6W
	Operating Conditions	-30° ~ +60° C / Less than 95% RH	
	Ingress Protection	IP67	
	Vandal Resistance	N/A	
	Housing	Metal	
	Pan/Tilt/Rotation	Pan: 0° ~ 360° ; Tilt: 0° ~ 78° ; Rotation: 0° ~ 360°	
	Dimensions	Ø122mm x 108.3mm	
	Net Weight	0.69kg	





# Professional AI Series

## Motorised & Fixed AI IP Cameras

### Series Overview

The Professional AI Series of fixed & motorised cameras features People & Vehicle Detection, allowing for accurate outdoors motion detection even when used with a standard NVR.

### Model Reference

SKU	Description
VSIPP-4BIRG-I	Professional 4.0MP Fixed AI Bullet
VSIPP-8BIRG-I	Professional 8.0MP Fixed AI Bullet
VSIPP-4DIRD-I	Professional 4.0MP Fixed AI Dome
VSIPP-8DIRD-I	Professional 8.0MP Fixed AI Dome
VSIPP-4DIRG-I	Professional 4.0MP Fixed AI Turret
VSIPP-6DIRG-I	Professional 6.0MP Fixed AI Turret
VSIPP-6DIRG-IB	Professional 6.0MP Fixed AI Turret (Black)
VSIPP-8DIRG-I	Professional 8.0MP Fixed AI Turret
VSIPP-4DIRF-I	Professional 4.0MP Fixed AI Wedge Dome
VSIPP-4BIRMG-I	Professional 4.0MP Motorised AI Bullet
VSIPP-8BIRMG-I	Professional 8.0MP Motorised AI Bullet
VSIPP-4DIRMD-I	Professional 4.0MP Motorised AI Dome
VSIPP-8DIRMD-I	Professional 8.0MP Motorised AI Dome
VSIPP-4DIRMG-I	Professional 4.0MP Motorised AI Turret
VSIPP-8DIRMG-I	Professional 8.0MP Motorised AI Turret



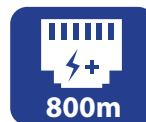
#### Stream up to Ultra HD

Capture footage at 4K / Ultra HD with up to 3840 x 2160 resolution.



#### Clear Footage at All Hours

With low light colour performance, True WDR & auto white balance.



#### Extended Power over Ethernet

Utilise PoE over a long distance, with a maximum range of 800m.



#### Intelligent Video Systems Plus

Go beyond standard IVS functions with People Counting, Heat Mapping & more.



#### Smart Motion Detection

Smart motion detection that identifies vehicles & people to prevent false alarms.



#### AI Face Recognition

Ultimate AI cameras process face data to extend AI NVR face recognition functions.

## Series Highlights

### AI CCTV solutions for any system

with fixed & motorised bullets, domes & turrets up to 4K

Available in fixed and motorised lens models in bullet, dome and turret style housings, the extensive Professional AI camera range perfectly fits into any surveillance site.

- Cameras available in 4.0MP, 6.0MP & 8.0MP models
- Fixed lens models for impressive results at lower cost
- Motorised varifocal lens for remote zoom/focus setting
- Low light colour footage at lighting as low as 0.005lx
- IK10 vandal resistant housing (*domes only*)

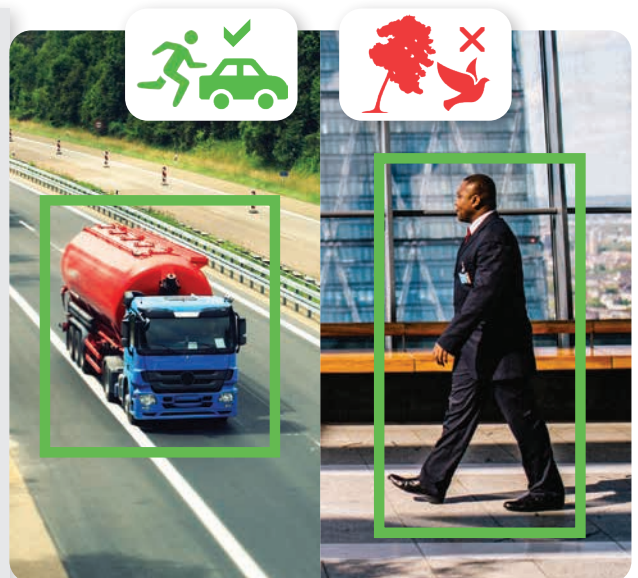


### Accurate person & vehicle detection

with Perimeter Protection & Smart Motion Detection

Pro AI Series Cameras can distinguish people, vehicle and other moving objects in real time, with alarm settings that can be figured to respond to any desired trigger.

- Filter false alarms and motion detection alerts with the AI detection of vehicles and people up to 16 channels
- Use Smart Motion Detection with any VIP Vision Camera
- Monitor areas and limit access using intelligent video rules to alert you to unauthorised people or vehicles
- Receive people and vehicle notifications to your devices
- Faster footage searching with motion event highlights



### Use AI features with standard NVRs

with Professional AI Series cameras

Pro AI Cameras are the most cost-effective way of adding intelligent AI surveillance features to a system, with People & Vehicle Identification working regardless of NVR model.

- Use Perimeter Protection / Smart Motion Detection without the need for an AI NVR
- AI NVR still required for AI Face Recognition & People Counting features





# Identify people & vehicles.

## Professional AI Series: Fixed AI bullet cameras in 4.0MP & 8.0MP

The Professional AI Series identifies people & vehicles using machine learning, to reduce false motion detection alerts and provide meaningful video event notifications in real-time. When used in conjunction with a VIP Vision NVR, person and vehicle events can be isolated in footage playback to improve surveillance efficiency.

- Stream up to 8.0MP (3840 x 2160) at 20fps
- H.265 encoding for efficient storage & streaming
- Up to 50m infrared range; true day/night (auto ICR)
- Back/highlight compensation & true WDR (120dB)
- MicroSD slot for recording at the edge up to 256GB
- Intelligent AI detection to identify people & vehicles
- Smart Motion Detection (SMD+) & Perimeter Protection to prevent false alarms, using VIP Vision NVRs
- 3D digital noise reduction & auto white balance
- IP67 weather rated housing for outdoor use





Record at 4K Ultra HD Resolution

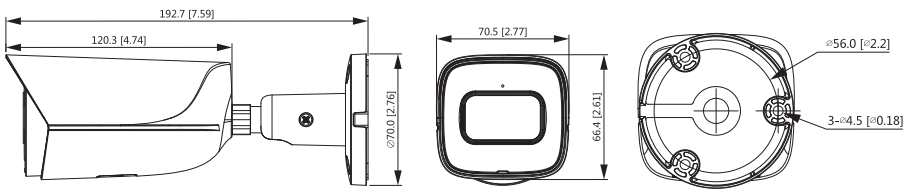


Smart Person & Vehicle Detection



Superb Low Light Performance

Specifications		4.0MP Fixed AI Bullet	8.0MP Fixed AI Bullet
Model	Product Image		
	Ordering Information	<b>VSIPP-4BIRG-I</b>	<b>VSIPP-8BIRG-I</b>
Camera	Image Sensor	1/3" 4.0MP Progressive Scan CMOS	1/2.8" 8.0MP Progressive Scan CMOS
	Effective Pixels	2688 (H) x 1520 (V)	3840 (H) x 2160 (V)
	RAM / ROM	512MB / 128MB	
	Min Illumination	0.005 Lux/F1.6 (Color)	0.007 Lux/F1.4 (Color)
	S/N Ratio	> 56dB	
	Infrared System	1 x Infrared LED, 50m range, Auto/manual on/off control	1 x Infrared LED, 30m range, Auto/manual on/off control
Lens	Lens / Iris	2.8mm F1.6 Fixed Lens	
	Field of View	Horizontal: 103°, Vertical: 55°	Horizontal: 108°, Vertical: 58°
	Focus	Fixed / 0.9m Min. Focus	
DORI	Detect (25px/m)	56m	85m
	Observe (63px/m)	22m	34m
	Recognise (125px/m)	11m	17m
	Identify (250px/m)	6m	9m
	Resolution	4.0MP (2688 x 1520) to CIF (352 x 288)	8.0MP (3840 x 2160) to CIF (352 x 288)
Video	Frame Rate	Main	4.0MP (1 ~ 25fps)
		Sub	D1 (1 ~ 25fps)
		Third	720p (1 ~ 25fps)
	Video Compression	H.265+ / H.265 / H.264+ / H.264 / H.264B / MJPEG	
	Bit Rate	H.265: 3 ~ 8192Kbps / H.264: 3 ~ 8192Kbps	
	Bit Rate Control	Constant bit rate (CBR) / Variable bit rate (VBR)	
	Day/Night	Auto (ICR) / Color / B&W	
	Lighting Compensation	BLC / HLC / WDR (120dB)	
	White Balance	Auto / Natural / Street Lamp / Outdoor / Manual / Regional Custom	
	Gain Control	Auto / Manual	
	Noise Reduction	3D DNR	
	Picture Control	Mirror / Flip (0°, 90°, 180°, 270°) (Support 90°/270° at 2.0MP resolution)	
	Video Functions	Motion Detection (4 zones), Region of Interest (4 zones), Privacy Masking (4 zones), Smart Infrared	
IVS	AI Functions	<b>Smart Motion Detection (SMD+):</b> People and vehicle detection using motion detection	
	Intelligent Search	<b>Perimeter Protection:</b> People and vehicle detection using tripwire or intrusion rules Search people or vehicle detection events (SMD+, Perimeter Protection)	
Network	Ethernet	RJ-45 (10/100Base-T)	
	Protocol	IPv4; IPv6; HTTP; HTTPS; TCP; UDP; ARP; RTP; RTSP; RTCP; RTMP; SMTP; FTP; SFTP; DHCP; DNS; DDNS; QoS; UPnP; NTP; Multicast; ICMP; IGMP; NFS; SAMBA; PPPoE; 802.1x; SNMP	
	Streaming Method	Unicast / Multicast	
	Max. User Access	20 Users	
Interface	Video Interface	N/A	
	Audio Interface	Built-in Mic / Audio Compression - G.711a; G.711Mu; G726; AAC	
	Alarm Interface	N/A	1 channel in: 5mA 3-5VDC / 1 channel out: 300mA 12VDC
	RS485	N/A	
	Edge Storage	MicroSD Card (up to 256GB) / NAS / FTP / SFTP	
	Interoperability	ONVIF / P2P / CGI / Milestone / Genetec	
	Power Supply	12VDC / PoE (802.3af)	
Environmental	Power Consumption	<5.4W	<7.9W
	Operating Conditions	-40°C ~ +60°C, ≤95% RH	
	Ingress Protection	IP67	
	Vandal Resistance	N/A	
	Housing	Metal	
	Pan/Tilt/Rotation	Pan: 0° ~ 360°, Tilt: 0° ~ 90°, Rotation: 0° ~ 360°	
	Dimensions	193mm x 71mm x 66mm	
	Net Weight	0.59kg	

Application			
	Junction Box		
	VS BKTA130E	VS BKTA134	VS BKTA12A
	Pole Mount		Corner Mount
	VS BKTA130E + VS BKTA152E	VS BKTA134 + VS BKTA152E	VS BKTA130E + VS BKTA151



# Identify people & vehicles.

## Professional AI Series: Fixed AI vandal dome cameras in 4.0MP & 8.0MP

The Professional AI Series identifies people & vehicles using machine learning, to reduce false motion detection alerts and provide meaningful video event notifications in real-time. When used in conjunction with a VIP Vision NVR, person and vehicle events can be isolated in footage playback to improve surveillance efficiency.

- Stream up to 8.0MP (3840 x 2160) at 20fps
- H.265 encoding for efficient storage & streaming
- Up to 50m infrared range; true day/night (auto ICR)
- Back/highlight compensation & true WDR (120dB)
- MicroSD slot for recording at the edge up to 256GB
- Intelligent AI detection to identify people & vehicles
- Smart Motion Detection (SMD+) & Perimeter Protection to prevent false alarms, using VIP Vision NVRs
- 3D digital noise reduction & auto white balance
- IP67 weather rated & IK10 vandal rated housing



Record at 4K Ultra HD Resolution





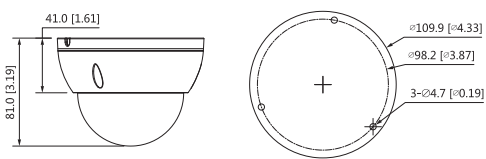
Smart Person & Vehicle Detection



Superb Low Light Performance

# Professional AI Series Fixed Vandal Domes | Series Specifications

Specifications		4.0MP Fixed AI Vandal Dome	8.0MP Fixed AI Vandal Dome	
Model	Product Image			
	Ordering Information	<b>VSIPP-4DIRD-I</b>	<b>VSIPP-8DIRD-I</b>	
Camera	Image Sensor	1/3" 4.0MP Progressive Scan CMOS	1/2.8" 8.0MP Progressive Scan CMOS	
	Effective Pixels	2688 (H) x 1520 (V)	3840 (H) x 2160 (V)	
	RAM / ROM	512MB / 128MB		
	Min Illumination	0.005 Lux/F1.6 (Color)	0.007 Lux/F1.4 (Color)	
	S/N Ratio	> 56dB		
Infrared System	3 x Infrared LED, 50m range, Auto/manual on/off control			
Lens	Lens / Iris	2.8mm F1.6 Fixed Lens	2.8mm F1.4 Fixed Lens	
	Field of View	Horizontal: 103°, Vertical: 55°	Horizontal: 108°, Vertical: 58°	
	Focus	Fixed / 0.9m Min. Focus	Fixed / 1.4m Min. Focus	
DORI	Detect (25px/m)	56m	85m	
	Observe (63px/m)	22m	34m	
	Recognise (125px/m)	11m	17m	
	Identify (250px/m)	6m	9m	
Video	Resolution	4.0MP (2688 x 1520) to CIF (352 x 288)	8.0MP (3840 x 2160) to CIF (352 x 288)	
	Frame Rate	Main	4.0MP (1 ~ 25fps)	8.0MP (1 ~ 20fps)
		Sub	D1 (1 ~ 25fps)	
		Third	720p (1 ~ 25fps)	
	Video Compression	H.265+ / H.265 / H.264+ / H.264 / H.264B / MJPEG		
	Bit Rate	H.265: 3 ~ 8192Kbps / H.264: 3 ~ 8192Kbps		
	Bit Rate Control	Constant bit rate (CBR) / Variable bit rate (VBR)		
	Day/Night	Auto (ICR) / Color / B&W		
	Lighting Compensation	BLC / HLC / WDR (120dB)		
	White Balance	Auto / Natural / Street Lamp / Outdoor / Manual / Regional Custom		
	Gain Control	Auto / Manual		
	Noise Reduction	3D DNR		
	Picture Control	Mirror / Flip (0°, 90°, 180°, 270°) (Support 90°/270° at 2.0MP resolution)		
	Video Functions	Motion Detection (4 zones), Region of Interest (4 zones), Privacy Masking (4 zones), Smart Infrared		
	AI Functions	<b>Smart Motion Detection (SMD+):</b> People and vehicle detection using motion detection <b>Perimeter Protection:</b> People and vehicle detection using tripwire or intrusion rules		
Intelligent search	Search people or vehicle detection events (SMD+, Perimeter Protection)			
Network	Ethernet	RJ-45 (10/100Base-T)		
	Protocol	IPv4; IPv6; HTTP; HTTPS; TCP; UDP; ARP; RTP; RTSP; RTCP; RTMP; SMTP; FTP; SFTP; DHCP; DNS; DDNS; QoS; UPnP; NTP; Multicast; ICMP; IGMP; NFS; SAMBA; PPPoE; 802.1x; SNMP		
	Streaming Method	Unicast / Multicast		
	Max. User Access	20 Users		
Interface	Video Interface	N/A		
	Audio Interface	1 input (RCA Port) / 1 output (RCA Port) / Audio Compression - G.711a; G.711Mu; G726; AAC		
	Alarm Interface	1 channel in: 5mA 3-5VDC / 1 channel out: 300mA 12VDC		
	RS485	N/A		
	Edge Storage	MicroSD Card (up to 256GB) / NAS / FTP / SFTP		
Interoperability	ONVIF / P2P / CGI / Milestone / Genetec			
Environmental	Power Supply	12VDC / PoE (802.3af)		
	Power Consumption	<7.3W	<7W	
	Operating Conditions	-30°C ~ +60°C, ≤95% RH		
	Ingress Protection	IP67		
	Vandal Resistance	IK10		
	Housing	Metal		
	Pan/Tilt/Rotation	Pan: 0° ~ 355°, Tilt: 0° ~ 65°, Rotation: 0° ~ 355°		
	Dimensions	Ø110mm x 81mm		
Net Weight	0.38kg			

		Application					
		Junction Box		Weather Shield	Wall Mount		Corner Mount
	VSBKTA136	VSBKTA123	VSBKTA136 + VSBKTA200W	VSBKTB203W	VSBKTA106 + VSBKTB305W	VSBKTA106 + VSBKTB305W + VSBKTA151	
	Corner Mount	Pole Mount					Ceiling Mount
	VSBKTA123 + VSBKTA151	VSBKTA136 + VSBKTA152E	VSBKTB203W + VSBKTA152E	VSBKTA123 + VSBKTA152E	VSBKTA106 + VSBKTB305W + VSBKTA150	VSBKTA106 + VSBKTB220C (+ VSBKTA117 optional extension)	



# Identify people & vehicles.

Professional AI Series: Fixed AI turret dome cameras in 4.0MP, 6.0MP & 8.0MP

The Professional AI Series identifies people & vehicles using machine learning, to reduce false motion detection alerts and provide meaningful video event notifications in real-time. When used in conjunction with a VIP Vision NVR, person and vehicle events can be isolated in footage playback to improve surveillance efficiency.

- Stream up to 8.0MP (3840 x 2160) at 20fps
- H.265 encoding for efficient storage & streaming
- Up to 50m infrared range; true day/night (auto ICR)
- Back/highlight compensation & true WDR (120dB)
- MicroSD slot for recording at the edge up to 256GB
- Intelligent AI detection to identify people & vehicles
- Smart Motion Detection (SMD+) & Perimeter Protection to prevent false alarms, using VIP Vision NVRs
- 3D digital noise reduction & auto white balance
- IP67 weather rated housing for outdoor use



Up to 4K Ultra HD Resolution







Smart Person & Vehicle Detection



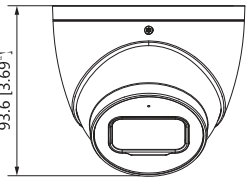
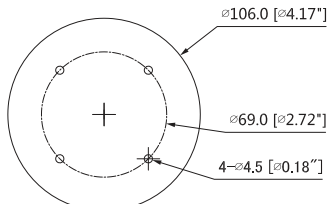
Superb Low Light Performance



# Professional AI Series Fixed Turret Domes | Series Specifications

Specifications		4.0MP Fixed AI Turret Dome	6.0MP Fixed AI Turret Dome		8.0MP Fixed AI Turret Dome	
Model	Product Image					
	Ordering Information	<b>VSIPP-4DIRG2-I</b>	<b>VSIPP-6DIRG-I: White</b>	<b>VSIPP-6DIRG-IB: Black</b>	<b>VSIPP-8DIRG-I</b>	
Camera	Image Sensor	1/3" 4.0MP Progressive Scan CMOS	1/2.7" 6.0MP Progressive Scan CMOS		1/2.8" 8.0MP Progressive Scan CMOS	
	Effective Pixels	2688 (H) x 1520 (V)	3072 (H) x 1728 (V)		3840 (H) x 2160 (V)	
	RAM / ROM		512MB / 128MB			
	Min Illumination	0.005 Lux/F1.6 (Colour)	0.005 Lux/F1.6 (Colour)		0.007 Lux/F1.4 (Color)	
	S/N Ratio		>56dB			
Infrared System	2 x Infrared LED, 50m range, Auto/manual on/off control		2 x Infrared LED, 50m range, Auto/manual on/off control		2 x Infrared LED, 30m range, Auto/manual on/off control	
Lens	Lens / Iris	2.8mm F1.6 Fixed Lens	2.8mm F1.6 Fixed Lens		2.8mm F1.4 Fixed Lens	
	Field of View	Horizontal: 103°, Vertical: 55°	Horizontal: 99°, Vertical: 53°		Horizontal: 108°, Vertical: 58°	
	Focus	Auto Focus / 0.9m Min. Focus Distance	Auto Focus / 0.9m Min. Focus Distance		Fixed / 1.4m Min. Focus Distance	
DORI	Detect (25px/m)	56m	56m		85m	
	Observe (63px/m)	22m	22m		34m	
	Recognise (125px/m)	11m	11m		17m	
	Identify (250px/m)	6m	6m		9m	
Video	Resolution	4.0MP (2688 x 1520) to CIF (352 x 288)	6.0MP (3072 x 1728) to CIF (352 x 288)		8.0MP (3840 x 2160) to CIF (352 x 288)	
	Frame Rate	Main	4.0MP (1 ~ 25fps)	6.0MP (1 ~ 20fps) / 4.0MP (1 ~ 25fps)		8.0MP (1 ~ 20fps)
		Sub		D1 (1 ~ 25fps)		
		Third	720p (1 ~ 25fps)	1080p (1 ~ 25fps)		1080p (1 ~ 25fps)
	Video Compression		H.265+ / H.265 / H.264+ / H.264 / H.264B / MJPEG			
	Bit Rate	H.265: 3 ~ 8192Kbps / H.264: 3 ~ 8192Kbps	H.265: 19 ~ 8192Kbps / H.264: 32 ~ 8192Kbps		H.265: 3 ~ 8192Kbps / H.264: 3 ~ 8192Kbps	
	Bit Rate Control		Constant bit rate (CBR) / Variable bit rate (VBR)			
	Day/Night		Auto (ICR) / Color / B&W			
	Lighting Compensation		BLC / HLC / WDR (120dB)			
	White Balance		Auto / Natural / Street Lamp / Outdoor / Manual / Regional Custom			
Gain Control		Auto / Manual				
Noise Reduction		3D DNR				
Picture Control		Mirror / Flip (0°, 90°, 180°, 270°) (Support 90°/270° with 2.0MP resolution)				
Video Functions		Motion Detection (4 zones), Region of Interest (4 zones), Privacy Masking (4 zones), Smart Infrared				
IVS	AI Functions	<b>Smart Motion Detection (SMD+):</b> People and vehicle detection using motion detection				
	Intelligent search	<b>Perimeter Protection:</b> People and vehicle detection using tripwire or intrusion rules				
	Intelligent search	Search people or vehicle detection events (SMD+, Perimeter Protection)				
Network	Ethernet	RJ-45 (10/100Base-T)				
	Protocol	IPv4; IPv6; HTTP; HTTPS; TCP; UDP; ARP; RTP; RTSP; RTCP; RTMP; SMTP; FTP; SFTP; DHCP; DNS; DDNS; QoS; UPnP; NTP; Multicast; ICMP; IGMP; NFS; SAMBA; PPPoE; 802.1x; SNMP				
	Streaming Method	Unicast / Multicast				
	Max. User Access	20 Users				
Interface	Video Interface	N/A				
	Audio Interface	Built-in Mic / Audio Compression - G.711a; G.711Mu; G726; AAC; G.723				
	Alarm Interface	N/A				
	RS485	N/A				
	Edge Storage	MicroSD Card (up to 256GB) / NAS / FTP / SFTP				
	Interoperability	ONVIF / P2P / CGI / Milestone / Genetec				
Environmental	Power Supply	12VDC / PoE (802.3af)				
	Power Consumption	<7.7W	<7.2W		<7.9W	
	Operating Conditions	-40°C ~ +60°C / ≤95% RH				
	Ingress Protection	IP67				
	Vandal Resistance	N/A				
	Housing	Metal				
	Pan/Tilt/Rotation	Pan: 0° ~ 360°, Tilt: 0° ~ 78°, Rotation: 0° ~ 360°				
	Dimensions	Ø106mm x 94mm				
Net Weight	0.55kg	0.55kg		0.53kg		

## Application

		Junction Box	Weather Shield	Wall Mount		Corner Mount
		VSBKTA130E	VSBKTA130E + VSBKTA200W	VSBKTB204W	VSBKTA106 + VSBKTB305W	VSBKTA106 + VSBKTB305W + VSBKTA151
		Corner Mount	Pole Mount		Ceiling Mount	
		VSBKTB204W + VSBKTA151	VSBKTA106 + VSBKTB305W + VSBKTA150	VSBKTA130E + VSBKTA152E	VSBKTB204W + VSBKTA152E	VSBKTA106 + VSBKTB220C (+ VSBKTA117 optional extension)



# Identify people & vehicles.

## Professional AI Series: Fixed AI perimeter protection wedge domes in 4.0MP

The Professional AI Series identifies people & vehicles using machine learning, to reduce false motion detection alerts and provide meaningful video event notifications in real-time. When used in conjunction with a VIP Vision NVR, person and vehicle events can be isolated in footage playback to improve surveillance efficiency.

- Stream up to 4.0MP (2688 x 1520) at 25fps
- H.265 encoding for efficient storage & streaming
- Up to 50m infrared range; true day/night (auto ICR)
- Back/highlight compensation & true WDR (120dB)
- MicroSD slot for recording at the edge up to 256GB
- Intelligent AI detection to identify people & vehicles
- Smart Motion Detection (SMD+) & Perimeter Protection to prevent false alarms, using VIP Vision NVRs
- 3D digital noise reduction & auto white balance
- IP67 weather rated & IK10 vandal rated housing




Record at 4K Ultra HD Resolution

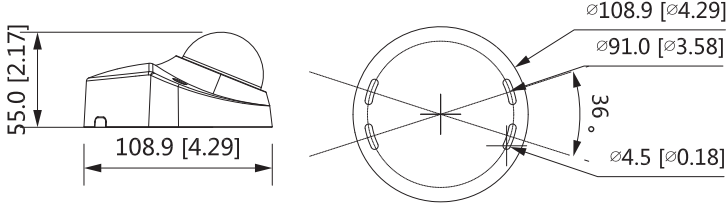


Smart Person & Vehicle Detection



Superb Low Light Performance

Specifications		4.0MP Fixed AI Wedge Dome		
Model	Product Image			
	Ordering Information	<b>VSIPP-4DIRF-I</b>		
Camera	Image Sensor	1/3" 4.0MP Progressive Scan CMOS		
	Effective Pixels	2688 (H) x 1520 (V)		
	RAM / ROM	512MB / 128MB		
	Min Illumination	0.005 Lux/F1.6 (Color)		
	S/N Ratio	N/A		
Lens	Infrared System	8 x Infrared LEDs, 50m range, Auto/manual on/off control		
	Lens / Iris	2.8mm F1.6 Fixed Focal Lens with Fixed Iris		
	Field of View	Horizontal: 103°, Vertical: 55°, Diagonal: 122°		
DORI	Focus	Auto Focus / 0.9m Min. Focus Distance		
	Detect (25px/m)	56m		
	Observe (63px/m)	22m		
	Recognise (125px/m)	11m		
Video	Identify (250px/m)	6m		
	Resolution	4.0MP (2688 x 1520) to CIF (352 x 288)		
	Frame Rate	Main	4.0MP (1 ~ 25fps)	
		Sub	D1 (1 ~ 25fps)	
		Third	720p (1 ~ 25fps)	
	Video Compression	H.265 / H.264 / H.264H / H.264B / MJPEG		
	Bit Rate	H.265: 3 ~ 8192Kbps / H.264: 3 ~ 8192Kbps		
	Bit Rate Control	Constant bit rate (CBR) / Variable bit rate (VBR)		
	Day/Night	Auto (ICR) / Color / B&W		
	Lighting Compensation	BLC / HLC / WDR (120dB)		
	White Balance	Auto / Natural / Street Lamp / Outdoor / Manual / Regional Custom		
	Gain Control	Auto / Manual		
Noise Reduction	3D DNR			
IVS	Picture Control	Mirror / Flip (0°, 90°, 180°, 270°) *90° & 270° supports 2.0MP resolution only		
	Video Functions	Motion Detection (4 zones), Region of Interest (4 zones), Privacy Masking (4 zones), Smart Infrared		
	AI Functions	<b>Smart Motion Detection (SMD+):</b> People and vehicle detection using motion detection <b>Perimeter Protection:</b> People and vehicle detection using tripwire or intrusion rules		
	Intelligent Search	Search people or vehicle detection events (SMD+, Perimeter Protection)		
Network	Ethernet	RJ-45 (10/100Base-T)		
	Protocol	IPv4; IPv6; HTTP; HTTPS; TCP; UDP; ARP; RTP; RTSP; RTCP; RTMP; SMTP; FTP; SFTP; DHCP; DNS; DDNS; QoS; UPnP; NTP; Multicast; ICMP; IGMP; NFS; PPPoE; 802.1x; SNMP		
	Streaming Method	Unicast / Multicast		
	Max. User Access	20 Users		
Interface	Video Interface	N/A		
	Audio Interface	Built-in Mic / Audio Compression - G.711a; G.711Mu; G726; AAC		
	Alarm Interface	N/A		
	RS485	N/A		
	Edge Storage	MicroSD Card (up to 256GB) / NAS / FTP / SFTP		
Environmental	Interoperability	ONVIF (Profile S/Profile G) / CGI / P2P / Milestone / Genetec		
	Power Supply	12VDC / PoE (802.3af)		
	Power Consumption	<5.7W		
	Operating Conditions	-40°C ~ +60°C / ≤95% RH		
	Ingress Protection	IP67		
	Vandal Resistance	IK10		
	Housing	Metal		
	Pan/Tilt/Rotation	Pan: -30° ~ 30°, Tilt: 0° ~ 80°, Rotation: 0° ~ 360°		
Dimensions	Ø108.9mm x 55mm			
Net Weight	0.38kg			

Application				
	Junction Box	Wall Mount		Corner Mount
	VSBKTA139	VSBKTB204W	VSBKTA106 + VSBKTB305W	VSBKTA106 + VSBKTB305W + VSBKTA151
	Pole Mount		Auto Guard	Ceiling Mount
	VSBKTB204W + VSBKTA152E	VSBKTA139 + VSBKTA152E	VSBKTA201W	VSBKTA106 + VSBKTB220C + (+ VSBKTA117 optional extension)



# Identify people & vehicles.

## Professional AI Series: Motorised AI bullet cameras in 4.0MP & 8.0MP

The Professional AI Series identifies people & vehicles using machine learning, to reduce false motion detection alerts and provide meaningful video event notifications in real-time. When used in conjunction with a VIP Vision NVR, person and vehicle events can be isolated in footage playback to improve surveillance efficiency.

- Stream up to 8.0MP (2688 x 1520) at 20fps
- H.265 encoding for efficient storage & streaming
- Up to 60m infrared range; true day/night (auto ICR)
- Back/highlight compensation & true WDR (120dB)
- MicroSD slot for recording at the edge up to 256GB
- Intelligent AI detection to identify people & vehicles
- Smart Motion Detection (SMD+) & Perimeter Protection to prevent false alarms, using VIP Vision NVRs
- 3D digital noise reduction & auto white balance
- IP67 weather rated housing for outdoor use





Up to 4K Ultra HD Resolution

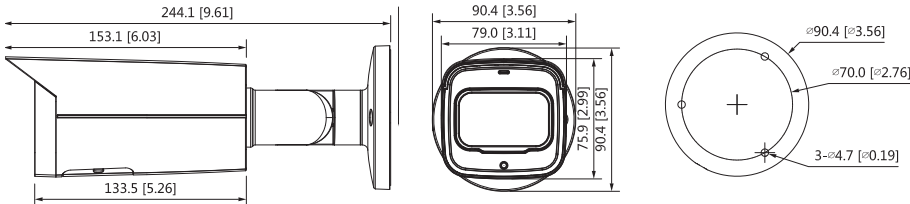


Smart Person & Vehicle Detection



Superb Low Light Performance

Specifications		4.0MP Motorised AI Bullet	8.0MP Motorised AI Bullet	
Model	Product Image			
	Ordering Information	<b>VSIPP-4BIRMG-I</b>	<b>VSIPP-8BIRMG-I</b>	
Camera	Image Sensor	1/3" 4.0MP Progressive Scan CMOS	1/2.8" 8.0MP Progressive Scan CMOS	
	Effective Pixels	2688 (H) x 1520 (V)	3840 (H) x 2160 (V)	
	RAM / ROM	128MB / 128MB	128MB / 512MB	
	Min Illumination	0.008 Lux/F1.5 (Color)	0.007 Lux/F1.5 (Color)	
	S/N Ratio	> 56dB		
Infrared System	4 x Infrared LED, 60m range, Auto/manual on/off control			
Lens	Lens / Iris	2.7 ~ 13.5mm F1.5 Motorised Varifocal Lens with Fixed Iris		
	Field of View	Horizontal: 104°~27°, Vertical: 55°~15° (5x Optical Zoom)	Horizontal: 113°~31°, Vertical: 58°~17° (5x Optical Zoom)	
	Focus	Auto Focus / 0.8m Min. Focus Distance		
DORI	Detect (25px/m)	64m (wide) / 220m (tele)	85m (wide) / 280m (tele)	
	Observe (63px/m)	26m (wide) / 88m (tele)	34m (wide) / 112m (tele)	
	Recognise (125px/m)	13m (wide) / 44m (tele)	17m (wide) / 56m (tele)	
	Identify (250px/m)	6m (wide) / 22m (tele)	8m (wide) / 28m (tele)	
Video	Resolution	4.0MP (2688 x 1520) to CIF (352 x 288)	8.0MP (3840 x 2160) to CIF (352 x 288)	
	Frame Rate	Main	4.0MP (1 ~ 20fps) / 3.0MP (1 ~ 25fps)	8.0MP (1 ~ 20fps) / 2.0MP (1 ~ 25fps)
		Sub	D1 (1 ~ 25fps)	
		Third	N/A	1080p (1 ~ 25fps)
Video Compression	H.265+ / H.265 / H.264+ / H.264 / H.264H / H.264B / MJPEG			
Bit Rate	H.265: 12 ~ 6144Kbps / H.264: 32 ~ 6144Kbps	H.265: 3 ~ 8192Kbps / H.264: 3 ~ 8192Kbps		
Bit Rate Control	Constant bit rate (CBR) / Variable bit rate (VBR)			
Day/Night	Auto (ICR) / Color / B&W			
Lighting Compensation	BLC / HLC / WDR (120dB)			
White Balance	Auto / Natural / Street Lamp / Outdoor / Manual / Regional Custom			
Gain Control	Auto / Manual			
Noise Reduction	3D DNR			
Picture Control	Mirror / Flip (0°, 90°, 180°, 270°)			
IVS	Video Functions	Motion Detection (4 zones), Region of Interest (4 zones), Privacy Masking (4 zones), Smart Infrared		
	AI Functions	<b>Smart Motion Detection (SMD+):</b> People and vehicle detection using motion detection <b>Perimeter Protection:</b> People and vehicle detection using tripwire or intrusion rules		
	Intelligent Search	Search people or vehicle detection events (SMD+, Perimeter Protection)		
Network	Ethernet	RJ-45 (10/100Base-T)		
	Protocol	IPv4; IPv6; HTTP; HTTPS; TCP; UDP; ARP; RTP; RTSP; RTCP; RTMP; SMTP; FTP; SFTP; DHCP; DNS; DDNS; QoS; UPnP; NTP; Multicast; ICMP; IGMP; NFS; SAMBA; PPPoE; 802.1x; SNMP		
	Streaming Method	Unicast / Multicast		
	Max. User Access	20 Users		
Interface	Video Interface	N/A		
	Audio Interface	1 input (RCA Port) / 1 output (RAC Port) / Audio Compression - G.711a; G.711Mu; G726; AAC		
	Alarm Interface	1 channel in: 5mA 5VDC / 1 channel out: 300mA 12VDC		
	RS485	N/A		
	Edge Storage	MicroSD Card (up to 256GB) / NAS		
	Interoperability	ONVIF / P2P / CGI / Milestone / Genetec		
Environmental	Power Supply	12VDC / PoE (802.3af)		
	Power Consumption	<9.6W	<10.3W	
	Operating Conditions	-30°C ~ +60°C / ≤95% RH		
	Ingress Protection	IP67		
	Vandal Resistance	N/A		
	Housing	Metal		
	Pan/Tilt/Rotation	Pan: 0° ~ 360°, Tilt: 0° ~ 90°, Rotation: 0° ~ 360°		
Dimensions	Ø90mm x 244mm	244mm x 79mm x 76mm		
Net Weight	0.90kg	0.82kg		

Application				
	Junction Box		Pole Mount	
	VSBKTA130E	VSBKTA122	VSBKTA130E + VSBKTA152E	
	Pole Mount		Corner Mount	
	VSBKTA122 + VSBKTA15E	VSBKTA130E + VSBKTA151	VSBKTA122 + VSBKTA151	

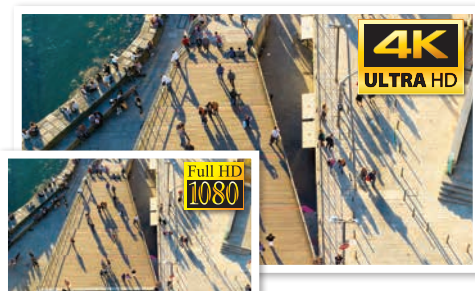


# Identify people & vehicles.

## Professional AI Series: Motorised AI vandal dome cameras in 4.0MP & 8.0MP

The Professional AI Series identifies people & vehicles using machine learning, to reduce false motion detection alerts and provide meaningful video event notifications in real-time. When used in conjunction with a VIP Vision NVR, person and vehicle events can be isolated in footage playback to improve surveillance efficiency.

- Stream up to 8.0MP (2688 x 1520) at 20fps
- H.265+ encoding for efficient storage & streaming
- Up to 40m infrared range; true day/night (auto ICR)
- Back/highlight compensation & true WDR (120dB)
- MicroSD slot for recording at the edge up to 256GB
- Intelligent AI detection to identify people & vehicles
- Smart Motion Detection (SMD+) & Perimeter Protection to prevent false alarms, using VIP Vision NVRs
- 3D digital noise reduction & auto white balance
- IP67 weather rated & IK10 vandal rated housing



Record at 4K Ultra HD Resolution





Smart Person & Vehicle Detection



Superb Low Light Performance

# Professional AI Series Motorised Vandal Domes | Series Specifications

Specifications		4.0MP Motorised AI Vandal Dome	8.0MP Motorised AI Vandal Dome	
Model	Product Image			
	Ordering Information	<b>VSIPP-4DIRMD-I</b>	<b>VSIPP-8DIRMD-I</b>	
Camera	Image Sensor	1/3" 4.0MP Progressive Scan CMOS	1/2.8" 8.0MP Progressive Scan CMOS	
	Effective Pixels	2688 (H) x 1520 (V)	3840 (H) x 2160 (V)	
	RAM / ROM	512MB / 128MB		
	Min Illumination	0.005 Lux/F1.5 (Color)	0.007 Lux/F1.5 (Color)	
Lens	S/N Ratio	> 56dB		
	Infrared System	2 x Infrared LED, 40m range, Auto/manual on/off control		
	Lens / Iris	2.7 ~ 13.5mm F1.5 Motorised Varifocal Lens with Fixed Iris		
DORI	Field of View	Horizontal: 104°~27°, Vertical: 55°~15° (5x Optical Zoom)	Horizontal: 113°~31°, Vertical: 58°~17° (5x Optical Zoom)	
	Focus	Auto Focus / 0.8m Min. Focus Distance		
Video	Detect (25px/m)	64m (wide) / 220m (tele)	85m (wide) / 280m (tele)	
	Observe (63px/m)	26m (wide) / 88m (tele)	34m (wide) / 112m (tele)	
	Recognise (125px/m)	13m (wide) / 44m (tele)	17m (wide) / 56m (tele)	
	Identify (250px/m)	6m (wide) / 22m (tele)	8m (wide) / 28m (tele)	
Video	Resolution	4.0MP (2688 x 1520) to CIF (352 x 288)	8.0MP (3840 x 2160) to CIF (352 x 288)	
	Frame Rate	Main	4.0MP (1 ~ 25fps)	8.0MP (1 ~ 20fps)
		Sub	D1 (1 ~ 25fps)	
		Third	720p (1 ~ 25fps)	1080p (1 ~ 25fps)
	Video Compression	H.265+ / H.265 / H.264+ / H.264 / H.264H / H.264B / MJPEG		
	Bit Rate	H.265: 3~ 8192Kbps / H.264: 3 ~ 8192Kbps		
	Bit Rate Control	Constant bit rate (CBR) / Variable bit rate (VBR)		
	Day/Night	Auto (ICR) / Color / B&W		
	Lighting Compensation	BLC / HLC / WDR (120dB)		
	White Balance	Auto / Natural / Street Lamp / Outdoor / Manual / Regional Custom		
Gain Control	Auto / Manual			
Noise Reduction	3D DNR			
Picture Control	Mirror / Flip (0°, 90°, 180°, 270°)			
IVS	Video Functions	Motion Detection (4 zones), Region of Interest (4 zones), Privacy Masking (4 zones), Smart Infrared		
	AI Functions	<b>Smart Motion Detection (SMD+):</b> People and vehicle detection using motion detection <b>Perimeter Protection:</b> People and vehicle detection using tripwire or intrusion rules		
	Intelligent search	Search people or vehicle detection events (SMD+, Perimeter Protection)		
Network	Ethernet	RJ-45 (10/100Base-T)		
	Protocol	IPv4; IPv6; HTTP; HTTPS; TCP; UDP; ARP; RTP; RTSP; RTCP; RTMP; SMTP; FTP; SFTP; DHCP; DNS; DDNS; QoS; UPnP; NTP; Multicast; ICMP; IGMP; NFS; SAMBA; PPPoE; 802.1x; SNMP		
	Streaming Method	Unicast / Multicast		
	Max. User Access	20 Users		
Interface	Video Interface	N/A		
	Audio Interface	1 input (RCA Port) / 1 output (RCA Port) / Audio Compression - G.711a; G.711Mu; G726; AAC		
	Alarm Interface	1 channel in: 5mA 5VDC / 1 channel out: 300mA 12VDC		
	RS485	N/A		
	Edge Storage	MicroSD Card (up to 256GB) / NAS / FTP / SFTP		
Environmental	Interoperability	ONVIF / P2P / CGI / Milestone / Genetec		
	Power Supply	12VDC / PoE (802.3af)		
	Power Consumption	<8.5W	<8.2W	
	Operating Conditions	-30°C ~ +60°C, ≤95% RH		
	Ingress Protection	IP67		
	Vandal Resistance	IK10		
	Housing	Metal		
	Pan/Tilt/Rotation	Pan: 0° ~ 355°, Tilt: 0° ~ 75°, Rotation: 0° ~ 355°		
Dimensions	Ø122mm x 89mm			
Net Weight	0.49kg	0.49kg		

Application						
		Junction Box		Weather Shield	Wall Mount	
		VSBKTA137	VSBKTA123	VSBKTA137 + VSBKTA200W	VSBKTB203W	VSBKTA106 + VSBKTB305W
		Pole Mount			Ceiling Mount	
		VSBKTA106 + VSBKTB305W + VSBKTA150	VSBKTA137 + VSBKTA152E	VSBKTB203W + VSBKTA152E	VSBKTA123 + VSBKTA152E	VSBKTB200C



# Identify people & vehicles.

## Professional AI Series: Motorised AI turret dome cameras in 4.0MP & 8.0MP

The Professional AI Series identifies people & vehicles using machine learning, to reduce false motion detection alerts and provide meaningful video event notifications in real-time. When used in conjunction with a VIP Vision NVR, person and vehicle events can be isolated in footage playback to improve surveillance efficiency.

- Stream up to 8.0MP (3840 x 2160) at 20fps
- H.265 encoding for efficient storage & streaming
- Up to 50m infrared range; true day/night (auto ICR)
- Back/highlight compensation & true WDR (120dB)
- MicroSD slot for recording at the edge up to 256GB
- Intelligent AI detection to identify people & vehicles
- Smart Motion Detection (SMD+) & Perimeter Protection to prevent false alarms, using VIP Vision NVRs
- 3D digital noise reduction & auto white balance
- IP67 weather rated housing for outdoor use



Record at 4K Ultra HD Resolution





Smart Person & Vehicle Detection



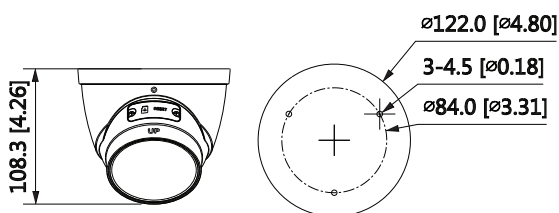
Superb Low Light Performance



# Professional AI Series Motorised Turret Domes | Series Specifications

Specifications		4.0MP Motorised AI Turret Dome	8.0MP Motorised AI Turret Dome	
Model	Product Image			
	Ordering Information	<b>VSIPP-4DIRMG-I</b>	<b>VSIPP-8DIRMG-I</b>	
Camera	Image Sensor	1/3" 4.0MP Progressive Scan CMOS	1/2.8" 8.0MP Progressive Scan CMOS	
	Effective Pixels	2688 (H) x 1520 (V)	3840 (H) x 2160 (V)	
	RAM / ROM	512MB / 128MB	128MB / 512MB	
	Min Illumination	0.005 Lux/F1.5 (Color)	0.007 Lux/F1.5 (Color)	
	S/N Ratio	> 56dB		
	Infrared System	2 x Infrared LED, 40m range, Auto/manual on/off control	2 x Infrared LED, 50m range, Auto/manual on/off control	
Lens	Lens / Iris	2.7 ~ 13.5mm F1.5 Motorised Varifocal Lens with Fixed Iris		
	Field of View	Horizontal: 104°~27°, Vertical: 55°~15°	Horizontal: 113°~31°, Vertical: 58°~17° (5x Optical Zoom)	
	Focus	Auto Focus / 0.8m Min. Focus Distance		
DORI	Detect (25px/m)	64m (wide) / 220m (tele)	85m (wide) / 280m (tele)	
	Observe (63px/m)	26m (wide) / 88m (tele)	34m (wide) / 112m (tele)	
	Recognise (125px/m)	13m (wide) / 44m (tele)	17m (wide) / 56m (tele)	
	Identify (250px/m)	6m (wide) / 22m (tele)	8m (wide) / 28m (tele)	
Video	Resolution	4.0MP (2688 x 1520) to CIF (352 x 288)	8.0MP (3840 x 2160) to CIF (352 x 288)	
	Frame Rate	Main	4.0MP (1 ~ 25fps)	8.0MP (1 ~ 20fps)
		Sub	D1 (1 ~ 25fps)	
		Third	720p (1 ~ 25fps)	1080p (1 ~ 25fps)
	Video Compression	H.265+ / H.265 / H.264+ / H.264 / H.264H / H.264B / MJPEG		
	Bit Rate	H.265: 3 ~ 8192Kbps / H.264: 3 ~ 8192Kbps		
	Bit Rate Control	Constant bit rate (CBR) / Variable bit rate (VBR)		
Day/Night	Auto (ICR) / Color / B&W			
Lighting Compensation	BLC / HLC / WDR (120dB)			
White Balance	Auto / Natural / Street Lamp / Outdoor / Manual / Regional Custom			
Gain Control	Auto / Manual			
Noise Reduction	3D DNR			
Picture Control	Mirror / Flip (0°, 90°, 180°, 270°)			
IVS	Video Functions	Motion Detection (4 zones), Region of Interest (4 zones), Privacy Masking (4 zones), Smart Infrared		
	AI Functions	<b>Smart Motion Detection (SMD+):</b> People and vehicle detection using motion detection <b>Perimeter Protection:</b> People and vehicle detection using tripwire or intrusion rules		
	Intelligent search	Search people or vehicle detection events (SMD+, Perimeter Protection)		
Network	Ethernet	RJ-45 (10/100Base-T)		
	Protocol	IPv4; IPv6; HTTP; HTTPS; TCP; UDP; ARP; RTP; RTSP; RTCP; RTMP; SMTP; FTP; SFTP; DHCP; DNS; DDNS; QoS; UPnP; NTP; Multicast; ICMP; IGMP; NFS; SAMBA; PPPoE; 802.1x; SNMP		
	Streaming Method	Unicast / Multicast		
	Max. User Access	20 Users		
Interface	Video Interface	N/A		
	Audio Interface	Built-in Mic / Audio Compression - G.711a; G.711Mu; G726; AAC		
	Alarm Interface	N/A		
	RS485	N/A		
	Edge Storage	MicroSD Card (up to 256GB) / NAS / FTP / SFTP		
Interoperability	ONVIF / P2P / CGI / Milestone / Genetec			
Environmental	Power Supply	12VDC / PoE (802.3af)		
	Power Consumption	<8.3W	<7.3W	
	Operating Conditions	-30°C ~ +60°C / ≤95% RH		
	Ingress Protection	IP67		
	Vandal Resistance	N/A		
	Housing	Metal		
	Pan/Tilt/Rotation	Pan: 0° ~ 360°, Tilt: 0° ~ 78°, Rotation: 0° ~ 360°		
	Dimensions	Ø122mm x 108mm		
Net Weight	0.68kg	0.68kg		

## Application



Junction Box		Wall Mount		Corner Mount
VSBKTA130E	VSBKTA137	VSBKTB203W	VSBKTA106 + VSBKTB305W	VSBKTA106 + VSBKTB305W + VSBKTA151
Pole Mount				Ceiling Mount
VSBKTA106 + VSBKTB305W + VSBKTA150	VSBKTA130E + VSBKTA152E	VSBKTA137 + VSBKTA152E	VSBKTB203W + VSBKTA152E	VSBKTA106 + VSBKTB220C (+ VSBKTA117 optional extension)



# Ultimate AI Series

## Face Recognition AI Cameras

### Series Overview

Featuring the best in AI surveillance, the Ultimate AI Series delivers intelligent people counting and extends face recognition capabilities AI recorders.

The series also features People & Vehicle Detection, allowing for accurate outdoors motion detection even when used with a standard NVR.

### Model Reference

SKU	Description
VSIPU-4BIRM-I	Ultimate 4.0MP Motorised AI Bullet
VSIPU-4BIRM-IZ	Ultimate 4.0MP Motorised AI Bullet (Zoom)
VSIPU-8BIRM-I	Ultimate 8.0MP Motorised AI Bullet
VSIPU-4DIRM-I	Ultimate 4.0MP Motorised AI Dome
VSIPU-8DIRM-I	Ultimate 8.0MP Motorised AI Dome
VSIPU-4DIRMG-I	Ultimate 4.0MP Motorised AI Turret



**Stream up to Ultra HD**  
Capture footage at 4K / Ultra HD with up to 3840 x 2160 resolution.



**Clear Footage at All Hours**  
With low light colour performance, True WDR & auto white balance.



**Extended Power over Ethernet**  
Utilise PoE over a long distance, with a maximum range of 800m.



**Intelligent Video Systems Plus**  
Go beyond standard IVS functions with People Counting, Heat Mapping & more.



**Smart Motion Detection**  
Smart motion detection that identifies vehicles & people to prevent false alarms.



**AI Face Recognition**  
Ultimate AI cameras process face data to extend AI NVR face recognition functions.

## Series Highlights

### Intelligent surveillance made smarter

with AI-powered face detection & recognition

Ultimate AI Series Cameras feature internal face recognition processing, extending the face recognition capabilities of Pro AI NVRs.

- Automatically capture faces in real time, and receive real time face alerts when a stranger or VIP appears
- Analyse face images by facial attributes, including: age, gender, expression, glasses, mouth mask & facial hair
- Quickly search and playback footage with intelligent search via face image or facial attributes

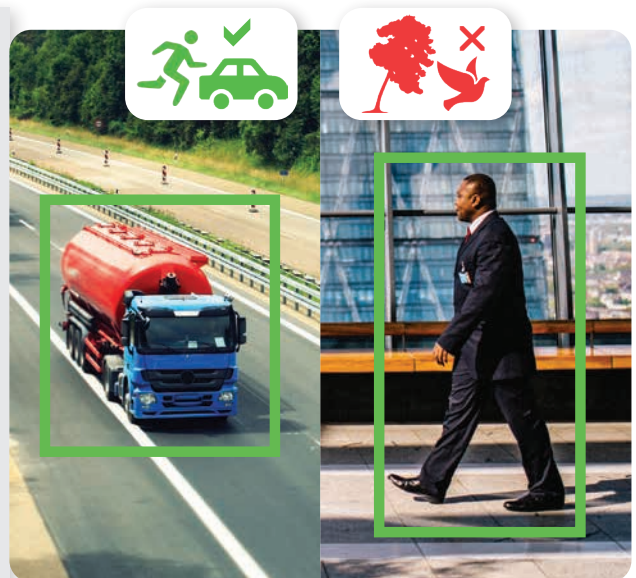


### Accurate person & vehicle detection

with Perimeter Protection & Smart Motion Detection

Ultimate AI Series Cameras can distinguish people, vehicle and other moving objects in real time, with alarm settings that can be figured to respond to any desired trigger.

- Filter false alarms and motion detection alerts with the AI detection of vehicles and people up to 16 channels
- Use Smart Motion Detection with any VIP Vision IP Camera
- Monitor areas and limit access using intelligent video rules to alert you to unauthorised people or vehicles
- Receive people and vehicle notifications to your devices
- Faster footage searching with motion event highlights

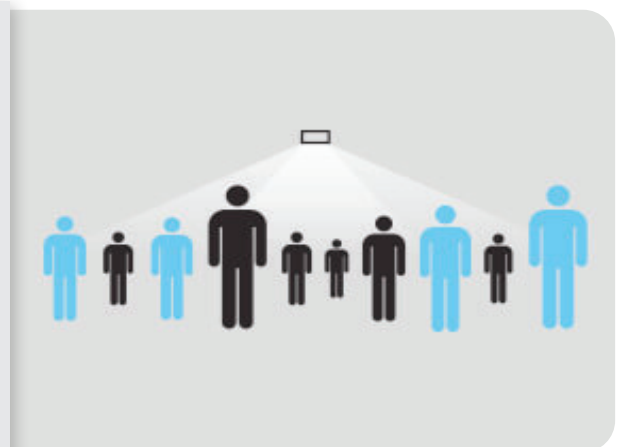


### Keep count of customers and visitors

with AI-enhanced people counting

Ultimate AI Series Cameras feature people counting to detect & track human bodies with high accuracy, as well as heat mapping for traffic visualisation.

- Supports Line Crossing, Region & Queuing methods of people counting
- Heat mapping to highlight high activity areas





AI People & Vehicle Detection



Face Capture



People Counting



# The best in AI surveillance.

## Ultimate AI Series: Motorised AI face capture bullets in 4.0MP & 8.0MP

Applying machine-learned algorithms, the Ultimate AI Series detects and captures faces independently from the AI NVR, extending face recognition capabilities across the whole CCTV system. The series also features intelligent Perimeter Protection and delivers superb image performance with low light colour and a motorised auto iris.

- Stream up to 8.0MP (3840 x 2160) at 25fps
- H.265 encoding for efficient storage & streaming
- Up to 60m infrared range; true day/night (auto ICR)
- Back/highlight compensation & true WDR (120dB)
- MicroSD slot for recording at the edge up to 256GB
- Internal face detection & capture to extend recognition
- Perimeter Protection to identify people & vehicles
- Combine Perimeter Protection with Tripwire/Intrusion to prevent false alarms, all using any VIP Vision NVR
- Extend PoE up to 800m (*requires ePoE NVR/switch*)



Superb Image Performance





AI-Enhanced Face Detection

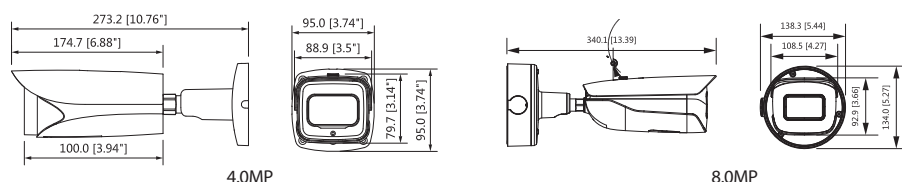


People Counting & Flow Control

# Ultimate AI Series Motorised Bullets | Series Specifications

Specifications		4.0MP Motorised AI Bullet		8.0MP Motorised AI Bullet		
Model	Product Image					
	Ordering Information	<b>VSIPU-4BIRM-I</b> : Standard <b>VSIPU-4BIRM-IZ</b> : Zoom Lens		<b>VSIPU-8BIRM-I</b>		
Camera	Image Sensor	1/1.8" 4.0MP Progressive Scan CMOS		1/1.8" 8.0MP Progressive Scan CMOS		
	Effective Pixels	2688 (H) x 1520 (V)		3840 (H) x 2160 (V)		
	RAM / ROM	1GB / 128MB		2GB / 4GB		
	Min Illumination	0.003 Lux / F1.8 (Color)	0.002 Lux / F1.6 (Color)	0.003 Lux / F1.2 (Color)		
Lens	S/N Ratio	> 50dB				
	Infrared System	4 x Infrared LED, 50m range, Auto/manual on/off control	4 x Infrared LED, 120m range, Auto/manual on/off control	4 x Infrared LED, 60m range, Auto/manual on/off control		
	Lens / Iris	2.7 ~ 12.0mm F1.8 Motorised Varifocal Lens with Auto Iris	8 ~ 32.0mm F1.6 Motorised Varifocal Lens with Auto Iris	2.7 ~ 12.0mm F1.2 Motorised Varifocal Lens with Auto Iris		
	Field of View	Horizontal: 114°~47°, Vertical: 62°~26°	Horizontal: 43°~15°, Vertical: 23°~8°	Horizontal: 114°~47°, Vertical: 59°~27°		
DORI	Focus	Auto Focus / 1.2m Min. Focus Distance		Auto Focus / 1.2m Min. Focus Distance		
	Detect (25px/m)	58m (wide) / 131m (tele)	151m (wide) / 400m (tele)	87m (wide) / 187m (tele)		
	Observe (63px/m)	23m (wide) / 52m (tele)	61m (wide) / 160m (tele)	35m (wide) / 75m (tele)		
	Recognise (125px/m)	12m (wide) / 26m (tele)	30m (wide) / 80m (tele)	17m (wide) / 37m (tele)		
Video	Identify (250px/m)	6m (wide) / 13m (tele)	15m (wide) / 40m (tele)	9m (wide) / 19m (tele)		
	Resolution	4.0MP (2688 x 1520) to CIF (352 x 288)		8.0MP (3840 x 2160) to CIF (352 x 288)		
	Frame Rate	Main	4.0MP (1 ~ 25fps) / 3.0MP (1 ~ 25fps) / 2.0MP (1 ~ 50fps)		8.0MP (1 ~ 25fps)	
		Sub	D1 (1 ~ 50fps)		704 x 576 (1 ~ 25fps)	
		Third	1080p (1 ~ 16fps)		1080p (1 ~ 25fps)	
	Video Compression	H.265, H.264, H.264H, H.264B, MJPEG				
	Bit Rate	H.264: 32Kbps ~ 8192Kbps / H.265: 19Kbps ~ 8192Kbps		H.264: 32Kbps ~ 16384Kbps / H.265: 12Kbps ~ 16384Kbps		
	Bit Rate Control	Constant bit rate (CBR) / Variable bit rate (VBR)				
	Day/Night	Auto (ICR) / Color / B&W				
	Lighting Compensation	BLC / HLC / WDR (120dB)				
White Balance	Auto / Natural / Street Lamp / Outdoor / Manual / Regional Custom					
Gain Control	Auto / Manual					
Noise Reduction	3D DNR					
Picture Control	Mirror / Flip (0°, 90°, 180°, 270°) (8.0MP supports 90° & 270° at 1080p resolution)					
IVS	Intelligent Functions	Motion Detection (4 zones), Region of Interest (4 zones), Privacy Masking (4 zones), Smart Infrared, Abandoned Object, Moving Object				
	Perimeter Protection	Tripwire & Intrusion (Add recognition of humans & vehicles), Fast Moving Detection, Loitering Detection, Parking & Gathering Detection				
	Face Detection	Internal Face Detection & Capture to add up to 10 channels of Face Detection with AI NVR (16 total)				
	Face Attributes	Age, Gender, Expression, Glasses, Face Mask, Facial Hair				
	People Counting	Supports Line Crossing/Region/Queueing People Counting, 4 Independent Access Detection / 4 Dependent Access Detection				
	Heat Map	Yes	N/A			
	Event Trigger	Motion Detection, Video Tampering, Scene Changing, Network Disconnection, IP Address Conflict, Illegal Access, Storage Anomaly		N/A		
Network	Intelligent Search	Via NVR Smart Search / Search tripwire/intrusion events by people or vehicle, Search footage by face image and face attributes				
	Ethernet	RJ-45 (10/100Base-T)				
	Protocol	IPv4; IPv6; HTTP; HTTPS; TCP; UDP; ARP; RTP; RTSP; RTCP; RTMP; SMTP; FTP; SFTP; HTTP; Https; 802.1x; TCP; ARP; RTSP; RTP; UDP; RTCP; SMTP; FTP; DHCP; DNS; DDNS; DHCP; DNS; DDNS; QoS; UPnP; NTP; Multicast; ICMP; IGMP; NFS; PPPoE; 802.1x; SNMP      PPPoE; IPv4/v6; SNMP; QoS; UPnP; NTP; SFTP; RTMP; Genetec; Bonjour				
	Streaming Method	Unicast / Multicast				
Interface	Max. User Access	20 Users				
	Video Interface	N/A				
	Audio Interface	1 input (RCA Port) / 1 output (RAC Port) / Audio Compression: G.711a; G.711Mu; G726; G.723				
	Alarm Interface	2 channel in: 5mA 5VDC / 1 channel out: 300mA 12VDC		3 channel in: 5mA 5VDC / 2 channel out: 1000mA 30VDC / 500mA 50VDC		
	RS485	N/A		1 (Bit rate: 1200bps ~ 115200bps)		
Environmental	Edge Storage	MicroSD Card (up to 256GB) / NAS / FTP / SFTP				
	Interoperability	ONVIF / P2P / CGI / Milestone / Genetec				
	Power Supply	12VDC / PoE (802.3af) (Class 4)		12VDC / 24VAC / PoE (802.3af) (Class 4)		
	Power Consumption	<15.2W		<17.3W		
	Operating Conditions	-40°C ~ +60°C, ≤95% RH				
	Ingress Protection	IP67				
	Vandal Resistance	IK10				
	Housing	Metal, Plastic				
Pan/Tilt/Rotation	Pan: 0° ~ 360°, Tilt: 0° ~ 90°, Rotation: 0° ~ 360°					
Dimensions	273mm x 95mm x 95mm		340mm x 109mm x 93mm			
Net Weight	1.11kg		1.60kg			

## Application



	Junction Box	Pole Mount	Corner Mount
	VSBKTA121 (4.0MP only)	VSBKTA121 + VSBKTA152E (4.0MP only)	VSBKTA121 + VSBKTA151 (4.0MP only)



AI People & Vehicle Detection



Face Capture



People Counting



# The best in AI surveillance.

## Ultimate AI Series: Motorised AI face capture domes in 4.0MP & 8.0MP

The Ultimate AI Series detects and captures faces from footage using machine-learned algorithms, preparing face data for use with an AI NVR face database. This enables up to 16 channels of face recognition. The series also features intelligent perimeter protection and people counting to provide meaningful video event notifications in real-time.

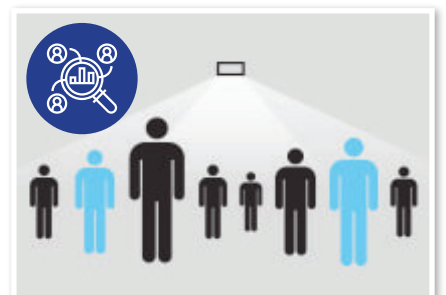
- Stream up to 8.0MP (3840 x 2160) at 25fps
- Up to 40m infrared range; true day/night (auto ICR)
- Back/highlight compensation & true WDR (120dB)
- MicroSD slot for recording at the edge up to 256GB
- Internal face detection & capture to extend recognition
- Perimeter Protection to identify people & vehicles
- Intelligent AI-enhanced people counting for retail capacity management and flow control
- Extend PoE up to 800m (*requires ePoE NVR/switch*)
- Heater prevents condensation in cold environments



Superb Image Performance





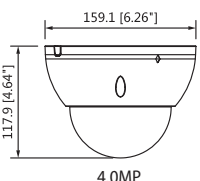
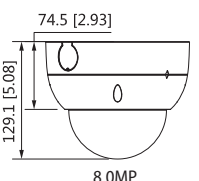
AI-Enhanced Face Detection



People Counting & Flow Control

# Ultimate AI Series Motorised Vandal Domes | Series Specifications

Specifications		4.0MP Motorised Vandal Dome	8.0MP Motorised Vandal Dome	
Model	Product Image			
	Ordering Information	<b>VSIPU-4DIRM-I</b>	<b>VSIPU-8DIRM-I</b>	
Camera	Image Sensor	1/1.8" 4.0MP Progressive Scan CMOS	1/1.8" 8.0MP Progressive Scan CMOS	
	Effective Pixels	2688 (H) x 1520 (V)	3840 (H) x 2160 (V)	
	RAM / ROM	1GB / 128MB	2GB / 4GB	
	Min Illumination	0.003 Lux / F1.8 (Color)	0.003 Lux / F1.2 (Color)	
S/N Ratio		> 50dB		
Infrared System		3 x Infrared LED, 40m range, Auto/manual on/off control		
Lens	Lens / Iris	2.7 ~ 12mm F1.8 Motorised Varifocal Lens with Auto Iris	2.7 ~ 12mm F1.2 Motorised Varifocal Lens with Auto Iris	
	Field of View	Horizontal: 114°~47°, Vertical: 62°~26°	Horizontal: 114°~47°, Vertical: 59°~27°	
	Focus	Auto Focus / 1.2m Min. Focus Distance	Auto Focus / 1m Min. Focus Distance	
DORI	Detect (25px/m)	58m (wide) / 131m (tele)	87m (wide) / 187m (tele)	
	Observe (63px/m)	23m (wide) / 52m (tele)	35m (wide) / 75m (tele)	
	Recognise (125px/m)	12m (wide) / 26m (tele)	17m (wide) / 37m (tele)	
	Identify (250px/m)	6m (wide) / 13m (tele)	9m (wide) / 19m (tele)	
Video	Resolution	4.0MP (2688 x 1520) to CIF (352 x 288)	8.0MP (3840 x 2160) to CIF (352 x 288)	
	Frame Rate	Main	4.0MP (1 ~ 25fps) / 3.0MP (1 ~ 25fps) / 2.0MP (1 ~ 50fps)	8.0MP (1 ~ 25fps)
		Sub	D1 (1 ~ 50fps)	D1 (1 ~ 25fps)
		Third	1080p (1 ~ 16fps)	1080p (1 ~ 25fps)
	Video Compression	H.265, H.264, H.264B, H.264H, MJPEG		
	Bit Rate	H.264: 32Kbps~8192Kbps / H.265: 19Kbps~8192Kbps	H.264: 32Kbps ~ 16384Kbps / H.265: 12Kbps ~ 16384Kbps	
	Bit Rate Control	Constant bit rate (CBR) / Variable bit rate (VBR)		
	Day/Night	Auto (ICR) / Color / B&W		
	Lighting Compensation	BLC / HLC / WDR (120dB)		
	White Balance	Auto / Natural / Street Lamp / Outdoor / Manual / Regional Custom		
Gain Control	Auto / Manual			
Noise Reduction	3D DNR			
Picture Control	Mirror / Flip (0°, 90°, 180°, 270°) (8.0MP supports 90° & 270° at 1080p resolution)			
Intelligent Functions	Motion Detection (4 zones), Region of Interest (4 zones), Privacy Masking (4 zones), Smart Infrared, Abandoned Object, Moving Object			
Perimeter Protection	Tripwire & Intrusion (Add recognition of humans & vehicles), Fast Moving Detection, Loitering Detection, Parking & Gathering Detection			
Face Detection	Internal Face Detection & Capture to add up to 10 channels of Face Detection with AI NVR (16 total)			
Face Attributes	Age, Gender, Expression, Glasses, Face Mask, Facial Hair			
People Counting	Supports Line Crossing/Region/Queuing People Counting, 4 Independent Access Detection / 4 Dependent Access Detection			
Heat Map	Yes	N/A		
Event Trigger	Motion Detection, Video Tampering, Scene Changing, Network Disconnection, IP Address Conflict, Illegal Access, Storage Anomaly	N/A		
Intelligent Search	Via NVR Smart Search / Search tripwire/intrusion events by people or vehicle, Search footage by face image and face attributes			
Network	Ethernet	RJ-45 (10/100Base-T)		
	Protocol	IPv4; IPv6; HTTP; HTTPS; TCP; UDP; ARP; RTP; RTSP; RTCP; RTMP; SMTP; FTP; SFTP; DHCP; DNS; DDNS; QoS; UPnP; NTP; Multicast; ICMP; IGMP; NFS; PPPoE; 802.1x; SNMP	HTTP; HTTPS; 8021.x; TCP; ARP; RTSP; RTP; UDP; RTCP; SMTP; FTP; DHCP; DNS; DDNS; PPPoE; IPv4/v6; SNMP; QoS; UPnP; NTP; SFTP; RTMP; Genetec; Bonjour	
	Streaming Method	Unicast / Multicast		
	Max. User Access	20 Users		
Interface	Video Interface	N/A		
	Audio Interface	1 input (RCA Port) / 1 output (RAC Port) / Audio Compression - G.711a; G.711Mu; G.726; G.723		
	Alarm Interface	1 channel in: 5mA 5VDC / 1 channel out: 300mA 12VDC	3 channel in: 5mA 5VDC / 2 channel out: 1000mA 30VDC / 500mA 50VDC	
	RS485	N/A	1 (Bit rate: 1200bps~115200bps)	
Edge Storage	MicroSD Card (up to 256GB) / NAS / FTP / SFTP			
Interoperability	ONVIF / P2P / CGI / Milestone / Genetec			
Environmental	Power Supply	12VDC / 24VAC / PoE (802.3af)(class 4)		
	Power Consumption	<18.7W (Heater on)	<15.7W (Heater on)	
	Operating Conditions	-40°C ~ +60°C, ≤95% RH (Heater on)		
	Ingress Protection	IP67		
	Vandal Resistance	IK10		
	Housing	Metal, Plastic		
	Pan/Tilt/Rotation	Pan: 0° ~ 360°, Tilt: 0° ~ 90°, Rotation: 0° ~ 360°		
	Dimensions	Ø159mm x 118mm	Ø158mm x 129mm	
Net Weight	0.95kg	1.60kg		

Application					
 4.0MP	Junction Box	Wall Mount		Corner Mount	Pole Mount
	VSBKTA138 (4.0MP only)	VSBKTB210W	VSBKTA101 + VSBKTB302S	VSBKTA101 + VSBKTB302S + VSBKTA151	VSBKTB210W + VSBKTA152E
	Pole Mount		In-Ceiling Mount	Ceiling Mount	Parapet Mount
	VSBKTA101 + VSBKTB300C + VSBKTA150	VSBKTA101 + VSBKTB302S + VSBKTA152E	VSBKTB201C (4.0MP only)	VSBKTA101 + VSBKTB300C (+ VSBKTA112 + VSBKTA113 extension)	VSBKTA101 + VSBKTB303S
 8.0MP					



AI People & Vehicle Detection



Face Capture



People Counting



# The best in AI surveillance.

## Ultimate AI Series: Motorised AI face capture turret in 4.0MP

The Ultimate AI Series detects and captures faces from footage using machine-learned algorithms, preparing face data for use with an AI NVR face database. This enables up to 16 channels of face recognition. The series also features intelligent perimeter protection and people counting to provide meaningful video event notifications in real-time.

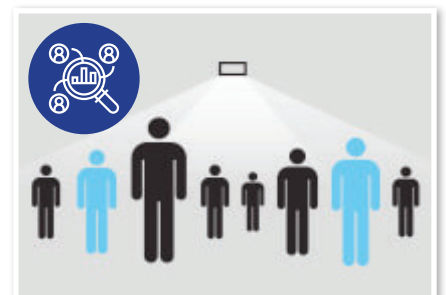
- Stream up to 4.0MP (2688 x 1520) at 25fps
- Up to 40m infrared range; true day/night (auto ICR)
- Back/highlight compensation & true WDR (140dB)
- 3D digital noise reduction & auto white balance
- MicroSD slot for recording at the edge up to 256GB
- Internal face detection & capture to extend recognition
- Perimeter Protection to identify people & vehicles
- Intelligent AI-enhanced people counting for retail capacity management and flow control
- Extend PoE up to 800m (*requires ePoE NVR/switch*)



Superb Image Performance



AI-Enhanced Face Detection



People Counting & Flow Control



Specifications		4.0MP Motorised Turret		
Model	Product Image			
	Ordering Information	<b>VSIPU-4DIRMG-I</b>		
Camera	Image Sensor	1/1.8" 4.0MP Progressive Scan CMOS		
	Effective Pixels	2688 (H) x 1520 (V)		
	RAM / ROM	1GB / 128MB		
	Min Illumination	0.003 Lux / F1.8 (Color)		
	S/N Ratio	> 56dB		
Lens	Infrared System	2 x Infrared LED, 40m range, Auto/manual on/off control		
	Lens / Iris	2.7 ~ 12mm F1.8 Motorised Varifocal Lens with Auto Iris		
	Field of View	Horizontal: 114°~47°; Vertical: 62°~26°		
DORI	Focus	Auto Focus / 1.2m Min. Focus Distance		
	Detect (25px/m)	58m (wide) / 131m (tele)		
	Observe (63px/m)	23m (wide) / 52m (tele)		
	Recognise (125px/m)	12m (wide) / 26m (tele)		
Video	Identify (250px/m)	6m (wide) / 13m (tele)		
	Resolution	4.0MP (2688 x 1520) to CIF (352 x 288)		
	Frame Rate	Main	4.0MP (1 ~ 25fps) / 2.0MP (1 ~ 50fps)	
		Sub	D1 (1 ~ 50fps)	
		Third	1080p (1 ~ 25fps)	
	Video Compression	H.265+ / H.265 / H.264+ / H.264 / H.264B / H.264H / MJPEG		
	Bit Rate	H.264: 32Kbps~8192Kbps / H.265: 19Kbps~8192Kbps		
	Bit Rate Control	Constant bit rate (CBR) / Variable bit rate (VBR)		
	Day/Night	Auto (ICR) / Color / B&W		
	Lighting Compensation	BLC / HLC / WDR (140dB)		
White Balance	Auto / Natural / Street Lamp / Outdoor / Manual / Regional Custom			
IVS	Gain Control	Auto / Manual		
	Noise Reduction	3D DNR		
	Picture Control	Mirror / Flip (0°, 90°, 180°, 270°)		
	Intelligent Functions	Motion Detection (4 zones), Region of Interest (4 zones), Privacy Masking (4 zones), Smart Infrared, Abandoned Object, Moving Object		
	Perimeter Protection	Tripwire & Intrusion (Add recognition of humans & vehicles), Fast Moving Detection, Loitering Detection, Parking & Gathering Detection		
	Face Detection	Internal Face Detection & Capture to add up to 10 channels of Face Detection with AI NVR (16 total)		
	Face Attributes	Age, Gender, Expression, Glasses, Face Mask, Facial Hair		
	People Counting	Supports Line Crossing/Region/Queuing People Counting, 4 Independent Access Detection / 4 Dependent Access Detection		
	Heat Map	Yes		
	Event Trigger	Motion Detection, Video Tampering, Scene Changing, Network Disconnection, IP Address Conflict, Illegal Access, Storage Anomaly		
	Intelligent Search	Via NVR Smart Search / Search tripwire/intrusion events by people or vehicle, Search footage by face image and face attributes		
	Network	Ethernet	RJ-45 (10/100Base-T)	
		Protocol	IPv4; IPv6; HTTP; HTTPS; TCP; UDP; ARP; RTP; RTSP; RTCP; RTMP; SMTP; FTP; SFTP; DHCP; DNS; DDNS; QoS; UPnP; NTP; Multicast; ICMP; IGMP; NFS; PPPoE; 802.1x; SNMP	
Streaming Method		Unicast / Multicast		
Max. User Access		20 Users		
Interface	Video Interface	N/A		
	Audio Interface	1 input (RCA Port) / 1 output (RAC Port) / Audio Compression - G.711a; G.711Mu; G726; G.723		
	Alarm Interface	N/A		
	RS485	N/A		
	Edge Storage	MicroSD Card (up to 256GB) / NAS / FTP / SFTP		
	Interoperability	ONVIF / P2P / CGI / Milestone / Genetec		
Environmental	Power Supply	12VDC / PoE (802.3af)		
	Power Consumption	<7.5W		
	Operating Conditions	-30°C ~ +60°C, ≤95% RH		
	Ingress Protection	IP67		
	Vandal Resistance	N/A		
	Housing	Metal, Plastic		
	Pan/Tilt/Rotation	Pan: 0° ~ 360°, Tilt: 0° ~ 78°, Rotation: 0° ~ 360°		
	Dimensions	Ø122mm x 108mm		
Net Weight	0.74kg			

Application					
	Junction Box		Wall Mount		Corner Mount
	VS BKTA130E	VS BKTA137	VS BKT B203W	VS BKTA106 + VS BKT B305W	VS BKTA106 + VS BKT B305W + VS BKTA151
	Pole Mount				
VS BKTA106 + VS BKT B305W + VS BKTA150	VS BKTA130E + VS BKTA152E	VS BKTA137 + VS BKTA152E	VS BKT B203W + VS BKTA152E	VS BKTA106 + VS BKT B220C (+ VS BKTA117 optional extension)	



# Specialist Series

## PTZ, Fisheye, Panorama & more

### Series Overview

When standard cameras aren't ideal, find the exact camera for the job with the Specialist Series from VIP Vision.

Watch over entire rooms in a single camera with 360° fisheye domes, cover wide areas with 180° panorama cameras & discreetly monitor enclosed areas with pinhole cameras.

### Model Reference

SKU	Description
VSIPPTZ-2M	2.0MP PTZ Mini Dome
VSIPFE-5IR	5.0MP 360° Fisheye Dome
VSIP6MPPA	6.0MP 180° Panorama Bullet
VSIP8MPPAV2	8.0MP 180° Panorama Bullet
VSIP8MPPADV2	8.0MP 180° Panorama Dome
VSIP2MPPH	2.0MP Fixed Pinhole Camera + Console
VSIP4MPPHC	4.0MP Fixed Pinhole Camera
VSIP4MPPHM	4.0MP Fixed Pinhole Console
VSPINHOLE3.6	1.0MP Fixed WDR Standalone Pinhole Camera



#### Stream up to 12.0MP

Capture footage at beyond Ultra HD with up to 4000 x 3000 resolution.



#### Clear Footage at All Hours

Low light colour, infrared and True WDR for day & night (select models).



#### Power over Ethernet

Utilise Power over Ethernet with a maximum range of 100m.



#### Intelligent Video Systems

CCTV features with Tripwire, Intrusion, Face/Motion Detect & more (excl. pinhole)



#### Recording at the Edge

Record at the edge & add reliability with microSD storage up to 128GB.



#### High Efficient Video Coding

Advanced H.265 encoding saves up to 50% on bandwidth and storage.

## Series Highlights

### Deliver the best solution for any job with specialised systems for a variety of applications

Cater to specific surveillance applications with a wide range of unique surveillance models available from the VIP Vision Specialist Series.

- Cover all blind spots with 360° fisheye cameras
- Monitor large areas with 180° panoramic cameras
- Compact vehicle/ATM CCTV with pinhole cameras



### Cover whole rooms in one camera with 5.0MP 360° fisheye domes

Eliminate blind spots in your CCTV systems with the Fisheye Series, covering entire rooms with a 360° FOV from above & live image dewarping for clearer images.

- Stream 360° up to 5.0MP at 25fps
- 10m infrared for 360° surveillance at night
- Get a clear image with five dewarp modes
- Tripwire & intrusion alarm features



### Ultra-wide surveillance coverage with 180° FOV panoramic cameras

Panoramic cameras stitches multiple lens images together to form a single panoramic image, performing the duty of multiple cameras in one.

- 4 x lens array combined into a single, wide image
- 6 x infrared lens for wide night surveillance
- IVS with People Counting, Heat Map & E-PTZ



### Discreet, compact surveillance with pinhole cameras in box & bullet styles

These small cameras deliver impressive image quality for their size, and can be easily installed almost anywhere for discreet surveillance.

- Stream up to 4.0MP with back/highlight comp.
- Tiny profile with flush & surface mount options
- Ideal for store shelves, ATMs, vehicles & more



# Discreet PTZ functionality.

## Professional PTZ Series: Mini PTZ dome available in 2.0MP

No larger than a standard fixed lens dome, this miniature network PTZ dome offers incredible functionality for its size. Deliver a compact PTZ solution, with 4x optical zoom, 355° panning and 90° tilt, in a small footprint dome.

- Stream up to 2.0MP (1920 x 1080) at 25fps
- Compact footprint and profile for easy mounting
- WDR (120dB) & back/highlight compensation
- MicroSD slot for recording at the edge up to 256GB
- 0° ~ 355° panning and 0° ~ 90° tilt adjustable
- Face detection & intelligent video analytic functions
- 3D digital noise reduction & auto white balance
- IP66/IK10 weather/vandal rated housing




Up to 4x Lossless Optical Zoom

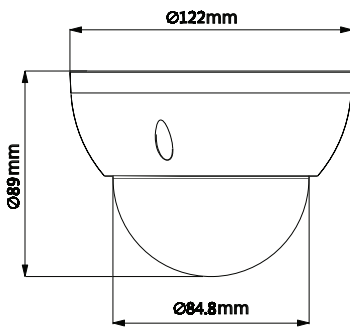
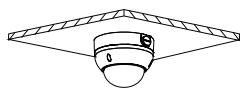
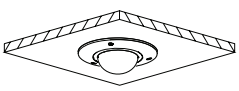
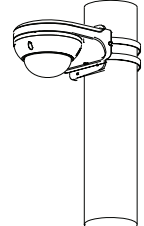
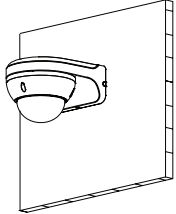


Small Footprint Mini PTZ Dome



Vandal & Weather Resistant

Specifications		2.0MP Mini PTZ Dome	
Model	Product Image		
	Ordering Information	<b>VSIPPTZ-2M: Standard</b>	
Camera	Image Sensor	1/2.8" 2.0MP Progressive Scan CMOS	
	Effective Pixels	1920 (H) x 1080 (V)	
	RAM / ROM	256MB / 128MB	
	Min Illumination	0.005 Lux/F1.6 (Color), 0.0005 Lux/F1.6 (B/W)	
	Infrared System	N/A	
Lens	Lens / Iris	2.7 ~ 11mm F1.6 Motorised Lens	
	Field of View	Horizontal: 112.5° ~ 30° (4x Optical Zoom)	
	Focus	Auto/Manual / 0.1 ~ 1m Min. Focus Distance	
DORI	Detect (25px/m)	124m	
	Observe (63px/m)	50m	
	Recognise (125px/m)	25m	
	Identify (250px/m)	12m	
PTZ	Pan / Tilt Range	Pan: 0° ~ 355° / Tilt: 0° ~ 90°	
	PTZ Speed	Preset: Pan: 100°/s; Tilt: 60°/s    Manual: Pan: 0.1 ~ 100°/s; Tilt: 0.1 ~ 60°/s	
	Modes / Presets	Up to 300 presets / 8 Tour (32 presets per tour)	
	Start-up Action	Auto-restore to previous PTZ / lens status	
	Auto Tracking	N/A	
Video	Resolution	2.0MP (1920 x 1080) to CIF (352 x 288)	
	Frame Rate	Main	2.0MP (1~25fps)
		Sub	D1 (1 ~ 25fps)
		Third	720p (1 ~ 25fps)
	Video Compression	H.265 / H.264 / MJPEG	
	Bit Rate	H.265/H.264: 448 ~ 8192Kbps / MJPEG: 5120 ~ 10240Kbps	
	Bit Rate Control	Constant bit rate (CBR) / Variable bit rate (VBR)	
	Day/Night	Auto (ICR) / Color / B&W	
	Lighting Compensation	BLC / HLC / WDR (120dB)	
	White Balance	Auto / ATW / Indoor / Outdoor / Manual	
Gain Control	Auto / Manual		
IVS	Noise Reduction	Ultra 2D/3D DNR	
	Picture Control	Flip 180°	
	Intelligent Functions	Tripwire, Intrusion, Abandoned/Missing Object, Face Detection, Motion Detection, Region of Interest, Privacy Masking (24 zones), Defog	
	Ethernet	RJ-45 (10Base-T/100Base-TX)	
Network	Protocol	IPv4/IPv6; HTTP; HTTPS; SSL; TCP/IP; UDP; UPnP; ICMP; IGMP; SNMP; RTSP; RTP; SMTP; NTP; DHCP; DNS; PPPoE; DDNS; FTP; IP Filter; QoS; Bonjour; 802.1x	
	Streaming Method	Unicast / Multicast	
	Max. User Access	20 Users	
Interface	Video Interface	N/A	
	Audio Interface	N/A	
	Alarm Interface	N/A	
	RS485	N/A	
	Edge Storage	MicroSD Card (up to 128GB) / NAS / Local PC	
Environmental	Interoperability	ONVIF (Profile S / Profile G) / API	
	Power Supply	12VDC/1.5A / PoE (802.3af)	
	Power Consumption	5.5W	
	Operating Conditions	-30° ~ +60° C / Less than 95% RH	
	Ingress Protection	IP66	
	Vandal Resistance	IK10	
	Housing	Metal	
	Pan/Tilt/Rotation	Pan: 0° ~ 355° ; Tilt: 0° ~ 90° ; Rotation: 0° ~ 360°	
Dimensions	Ø122mm x 89mm		
Net Weight	0.52kg		

Application				
				
	Junction Box VSBKTA137	Flush Mount VSBKTA200C	Pole Mount VSBKTB203W + VSBKTA152E	Wall Mount VSBKTB203W



# Multiple cameras all-in-one.

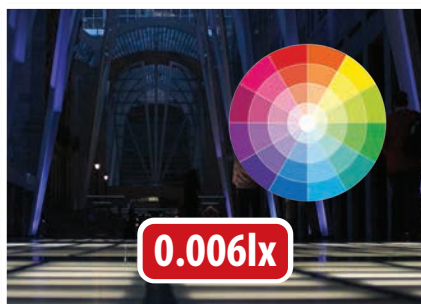
**Fisheye Series: 360° view, panoramic fisheye dome available in 5.0MP**

Designed to perform the duties of multiple cameras, the Fisheye Series transforms your surveillance experience. This compact camera grants the benefit of 360° field of view, with infrared for night recording and IVS functions.

- Stream up to 5.0MP (2592 x 1944) at 25ps
  - Circular fisheye lens with 360° viewing angle
  - Multiple dewarp modes\* for ceiling & wall mounting
  - Up to 10m Infrared range; true day/night (auto ICR)
  - IVS functions, including heat map & motion detection
  - H.265+ encoding for efficient storage & streaming
  - True WDR (120dB) & back/highlight compensation
  - MicroSD card slot for edge recording up to 128GB
  - Power via 12VDC or PoE ; ONVIF, API & CGI compliance
- \* *Fisheye dewarp compatible with select NVRs only*




**Fisheye Image Dewarp Modes**

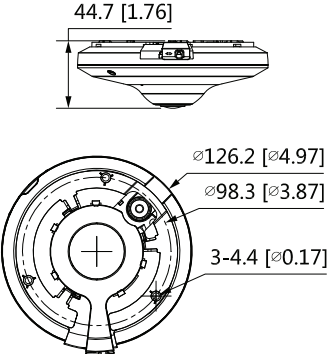
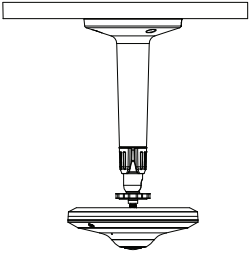
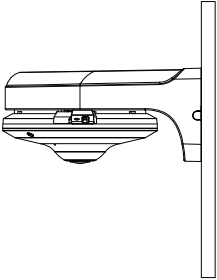
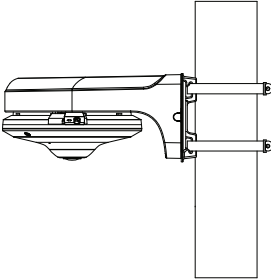


**Superb Low Light Performance**



**Intelligent Video Functions**

Specifications		5.0MP 360° Fisheye Dome	
Model	Product Image		
	Ordering Information	<b>VSSIPFE-51R</b>	
Camera	Image Sensor	1/2.7" 5.0MP Progressive Scan CMOS	
	Effective Pixels	2592 (H) x 1944 (V)	
	RAM / ROM	512MB / 32MB	
	Min. Illumination	Colour: 0.006 Lux (F2.0, 1/3s), 0.02 Lux (F2.0, 1/30s), 0 Lux (F2.0, IR on)	
	S/N Ratio	N/A	
Lens	Infrared System	3 x Infrared LED, 10m range, Auto/Manual on/off control	
	Lens / Iris	1.4mm F2.0 Fixed Circular Fisheye Lens	
	Field of View	Horizontal: 180°, Vertical: 180°	
DORI	Focus	Fixed	
	Detect (25px/m)	28m	
	Observe (63px/m)	11m	
	Recognise (125px/m)	6m	
	Identify (250px/m)	3m	
Video	Resolution	5.0MP (2582 x 1944) to CIF (352 x 288)	
	Frame Rate	Main	5.0MP (1~25fps)
		Sub	D1 (1 ~ 25fps)
		Third	D1 (1 ~ 10fps)
	Video Compression	H.265+ / H.265 / H.264+ / H.264 / H.264H / MJPEG (Sub Stream)	
	Bit Rate	H.265: 3 ~ 40960Kbps / H.264: 3 ~ 40960Kbps	
	Bit Rate Control	Constant bit rate (CBR) / Variable bit rate (VBR)	
	Day/Night	Auto (ICR) / Color / B&W	
	Lighting Compensation	BLC / HLC / True WDR (120dB)	
	White Balance	Auto / Natural / Street Lamp / Outdoor / Manual	
	Gain Control	Auto / Manual	
	Noise Reduction	3D DNR	
	Dewarping Modes	Multiple Dewarped Modes	
Network	Intelligent Functions	Tripwire, Intrusion, Motion Detection (4 zones), Region of Interest (4 zones), Privacy Masking (4 zones), Smart Infrared, Heat Map	
	Ethernet	RJ-45 (100/1000Base-T)	
	Protocol	HTTP; TCP; ARP; RTSP; RTP; UDP; RTCP; SMTP; FTP; DHCP; DNS; DDNS; PPPoE; IPv4/v6; SNMP; QoS; UPnP; NTP; RTMP	
	Streaming Method	Unicast / Multicast	
Interface	Max. User Access	10 / 20 Users	
	Video Interface	N/A	
	Audio Interface	1 Input, 1 Output, 1 Built-in Mic / Compression: G.711a/G.711Mu/PCM	
	Alarm Interface	1 Input (5mA 5VDC), 1 Output (300mA 12VDC)	
	RS485	N/A	
	Edge Storage	MicroSD Card (up to 128GB) / NAS / Local PC	
	Interoperability	ONVIF / API / CGI	
Environmental	Power Supply	12VDC / PoE (802.3af)	
	Power Consumption	12VDC: <2.7W (<8.2W IR On) / PoE: <3.3W (<10.1W IR On)	
	Operating Conditions	-10° ~ +50° C / Less than 95% RH	
	Ingress Protection	N/A	
	Vandal Resistance	N/A	
	Housing	Metal + Plastic	
	Pan/Tilt/Rotation	N/A	
	Dimensions	Ø126.2mm x 44.7mm	
Net Weight	0.28kg		

Application			
			
	Ceiling Mount VSBKTB110W (*Special Order)	Wall Mount VSBKTB203W	Pole Mount VSBKTB203W + VSBKTA152E



# Panoramic IP surveillance.

## Panorama Series: 180° view multi-sensor cameras in 6.0MP & 8.0MP

Designed to perform the duties of multiple cameras, the Panorama series uses a unique configuration of multiple sensors and lenses to deliver 180° of surveillance coverage. Simplify entire surveillance systems with one camera.

- 4096 pixels horizontal panoramic images at 25fps
- Unique multi-sensor & lens delivers 180° field of view
- Panoramic image seamlessly stitched in-camera
- 30m range 180° view infrared & auto ICR day/night
- Face detection & video analytics, eg: heat map
- MicroSD card slot for edge recording up to 128GB
- H.265 high efficiency video compression support
- Audio and alarm interface input/outputs
- BLC / HLC and 3D digital noise reduction
- IP67 weather & IK10 vandal resistant housing



Wide Panoramic View & Infrared





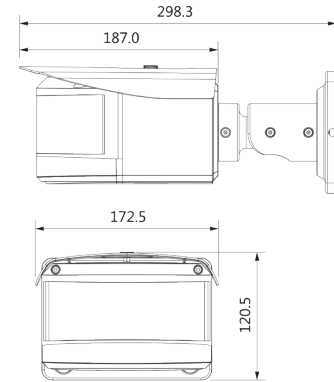
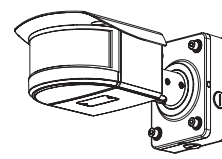
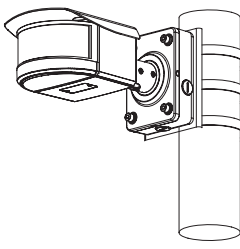
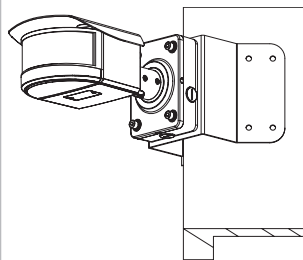
Superb Low Light Performance



Vandal & Weather Resistant



Specifications	6.0MP Panorama Bullet	8.0MP Panorama Bullet
		
Ordering Information	<b>VSIP6MPPA</b>	<b>VSIP8MPPAV2</b>
Image Sensor	3 x 1/2.8" 2.0MP Progressive Scan CMOS	4 x 1/2.8" 2.0MP Progressive Scan CMOS
Effective Pixels	4096 (H) x 832 (V)	4096 (H) x 1800 (V)
RAM / ROM	1024MB / 128MB	
Min. Illumination	Colour: 0.007 Lux (F1.8, 1/3s) / 0 Lux/F1.8 (B/W)	Colour: 0.007 Lux (F2.0, 1/3s) / 0 Lux/F2.0 (B/W)
S/N Ratio	> 50dB	
Infrared System	8 x Infrared LED, 30m range, Auto/Manual on/off control	
Lens / Iris	3.6mm F1.8 Fixed Lens	3.0mm F2.0 Fixed Lens
Field of View	Horizontal: 180°, Vertical: 44°	Horizontal: 180°, Vertical: 80°
Focus	Fixed	
Detect (25px/m)	52m	41m
Observe (63px/m)	21m	16m
Recognise (125px/m)	10m	8m
Identify (250px/m)	5m	4m
Resolution	4096 x 832 (approx. 3.4MP) to 1024 x 208 (approx. 0.2MP)	4096 x 1800 (approx. 7.3MP) to 1024 x 454 (approx. 0.5MP)
Frame Rate	Main	4096 x 832 (1~25fps)
	Sub	1024 x 208 (1 ~ 25fps)
	Third	1280 x 260 (1 ~ 25fps)
Video Compression	H.265 / H.264	
Bit Rate	H.265: 4Kbps ~ 10Mbps / H.264: 8Kbps ~ 16Mbps	H.265: 9Kbps ~ 9472Kbps / H.264: 24Kbps ~ 15616Kbps
Bit Rate Control	Constant bit rate (CBR) / Variable bit rate (VBR)	
Day/Night	Auto (ICR) / Color / B&W	
Lighting Compensation	BLC / HLC / WDR (120dB)	
White Balance	Auto / Natural / Street Lamp / Outdoor / Manual	
Gain Control	Auto / Manual	
Noise Reduction	3D DNR	
Intelligent Functions	Motion Detection (4 zones), Region of Interest (4 zones), Privacy Masking (4 zones), Smart Infrared, Tripwire, Intrusion, Object Abandoned/Missing, Face Detection, People Counting, Heat Map, E-PTZ	
Ethernet	RJ-45 (100/1000Base-T)	
Protocol	HTTP; HTTPS; TCP; ARP; RTSP; RTP; UDP; SMTP; FTP; DHCP; DNS; DDNS; PPPOE; IPv4/v6; SNMP; QoS; UPnP; NTP	HTTP; HTTPS; TCP; ARP; RTSP; RTP; UDP; SMTP; FTP; DHCP; DNS; DDNS; PPPOE; IPv4/v6; QoS; UPnP; NTP; Bonjour; 802.1x; Multicast; ICMP; IGMP; SNMP
Streaming Method	Unicast / Multicast	
Max. User Access	10 Users / 20 Users	
Video Interface	1 Port (for adjustment only)	
Audio Interface	1 Input, 1 Output / Compression: G.711a / G.711Mu / AAC / G.726	
Alarm Interface	2 Inputs / 1 Output	2 Inputs / 2 Output
RS485	N/A	
Edge Storage	MicroSD Card (up to 128GB) / NAS / Local PC	
Interoperability	ONVIF / PSIA / CGI	
Power Supply	24VAC / PoE+ (802.3at)	
Power Consumption	<23W	<25.5W
Operating Conditions	-30° ~ +60° C / Less than 95% RH	-40° ~ +60° C / Less than 95% RH
Ingress Protection	IP67	
Vandal Resistance	IK10	
Housing	Metal	
Pan/Tilt/Rotation	Pan:0°~360°; Tilt:0°~90°; Rotation:0°~360°	
Dimensions	298mm x 173mm x 121mm	
Net Weight	2.60kg	2.70kg

Application						
						
				Junction Box VSBKTA120	Corner Mount VSBKTA120 + VSBKTA151	Pole Mount VSBKTA120 + VSBKTA150



# Panoramic IP surveillance.

## Panorama Series: 180° view multi-sensor dome camera in 8.0MP

Designed to perform the duties of multiple cameras, the Panorama series uses a unique configuration of multiple sensors and lenses to deliver 180° of surveillance coverage. Simplify entire surveillance systems with one camera.

- 4096 pixels horizontal panoramic images at 25fps
- Unique multi-sensor & lens delivers 180° field of view
- Panoramic image seamlessly stitched in-camera
- 30m range 180° view infrared & auto ICR day/night
- Face detection & video analytics, eg: heat map
- MicroSD card slot for edge recording up to 128GB
- H.265 high efficiency video compression support
- Audio and alarm interface input/outputs
- BLC / HLC and 3D digital noise reduction
- IP67 weather & IK10 vandal resistant housing




Wide Panoramic View & Infrared

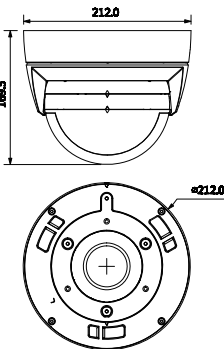
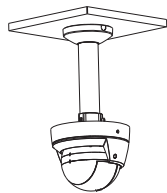
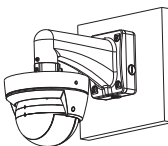
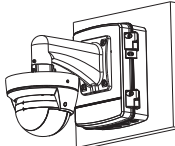
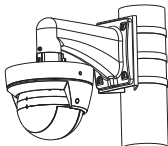
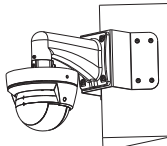
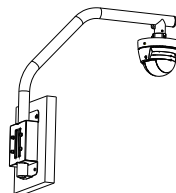


Superb Low Light Performance



Vandal & Weather Resistant

Specifications		8.0MP Panorama Dome	
Model	Product Image		
	Ordering Information	<b>VVIP8MPPADV2</b>	
Camera	Image Sensor	4 x 1/2.8" 2.0MP Progressive Scan CMOS	
	Effective Pixels	4096 (H) x 1800 (V)	
	RAM / ROM	1024MB / 128MB	
	Min. Illumination	Colour: 0.007 Lux (F2.0, 1/3s) / 0.05 Lux (F2.0, 1/30s), 0 Lux/F2.0 (B/W)	
	S/N Ratio	> 50dB	
Lens	Infrared System	6 x Infrared LED, 30m range, Auto/Manual on/off control	
	Lens / Iris	2.8mm F2.0 Fixed Lens	
	Field of View	Horizontal: 180°; Vertical: 80°	
	Focus	Fixed	
DORI	Detect (25px/m)	41m	
	Observe (63px/m)	16m	
	Recognise (125px/m)	8m	
	Identify (250px/m)	4m	
Video	Resolution	4096 x 1800 (approx. 7.4MP) to 1024 x 452 (approx. 0.5MP)	
	Frame Rate	Main	4096 x 1800 (1~25fps)
		Sub	1024 x 452 (1 ~ 25fps)
		Third	1920 x 832 (1 ~ 25fps)
	Video Compression	H.265 / H.264	
	Bit Rate	H.265: 9 ~ 9472Kbps / H.264: 24 ~ 15616Kbps	
	Bit Rate Control	Constant bit rate (CBR) / Variable bit rate (VBR)	
	Day/Night	Auto (ICR) / Color / B&W	
	Lighting Compensation	BLC / HLC / DWDR	
	White Balance	Auto / Natural / Street Lamp / Outdoor / Manual	
Gain Control	Auto / Manual		
Noise Reduction	3D DNR		
IVS	Intelligent Functions	Motion Detection (4 zones), Region of Interest (4 zones), Privacy Masking (4 zones), Smart Infrared, Tripwire, Intrusion, Object Abandoned/Missing, Face Detection, People Counting, Heat Map, E-PTZ	
Network	Ethernet	RJ-45 (100/1000Base-T)	
	Protocol	HTTP; HTTPS; TCP; ARP; RTSP; RTP; UDP; SMTP; FTP; DHCP; DNS; DDNS; PPPOE; IPv4/v6; SNMP; QoS; UPnP; NTP	
	Streaming Method	Unicast / Multicast	
	Max. User Access	10 Users / 20 Users	
Interface	Video Interface	1 Port (for adjustment only)	
	Audio Interface	1 Input, 1 Output / Compression: G.711a / G.711Mu / AAC / G.726	
	Alarm Interface	2 Inputs / 2 Output	
	RS485	N/A	
	Edge Storage	MicroSD Card (up to 128GB) / NAS / Local PC	
Environmental	Interoperability	ONVIF / PSIA / CGI	
	Power Supply	24VAC / PoE+ (802.3at)	
	Power Consumption	<25.5W	
	Operating Conditions	-40° ~ +60° C / Less than 95% RH	
	Ingress Protection	IP67	
	Vandal Resistance	IK10	
	Housing	Metal	
	Pan/Tilt/Rotation	Pan: 0°~355° ; Tilt: 0°~75° ; Rotation: ±20°	
Dimensions	Ø212mm x 169.5mm		
Net Weight	3.60kg		

Application						
						
Included accessories	Ceiling Mount	Junction Mount	Power Box Mount	Pole Mount	Corner Mount	Parapet Mount
VSBKTA111 Requires to mount VSBKTB300C/303W	VSBKTA111 + VSBKTB300C	VSBKTA111 + VSBKTB303W + VSBKTA120	VSBKTA111 + VSBKTB303W + VSBKTA140	VSBKTA111 + VSBKTB303W + VSBKTA150	VSBKTA111 + VSBKTB303W + VSBKTA151	VSBKTA111 + VSBKTB303S



# Discreet HD surveillance.

## Pinhole Series: Small profile cameras available in 2.0MP & 4.0MP

Designed for discreet surveillance applications, Pinhole Series cameras are ideal in controlled ingress points, in-shelf surveillance, in vehicles, ATMs and more. Two compact camera styles enable CCTV use in difficult locations.

- Stream up to 4.0MP (2688 x 1520) at 25fps
- 2.8mm fixed lens with wide angle viewing
- Electronic day/night and 3D digital noise reduction
- Includes pinhole brackets and connector cables
- Discreet pinhole profile: Ø12mm / 5mm depth
- Face detection and 3D digital noise reduction
- True wide dynamic range (120dB) (4MPPH & 2S)
- MicroSD slot up to 128GB & PoE power (2/4MPPH)






Double Full HD Resolution

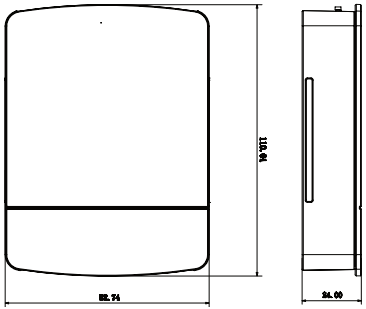
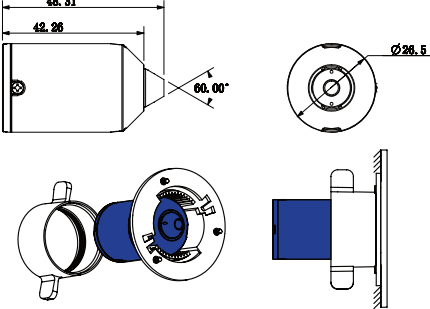
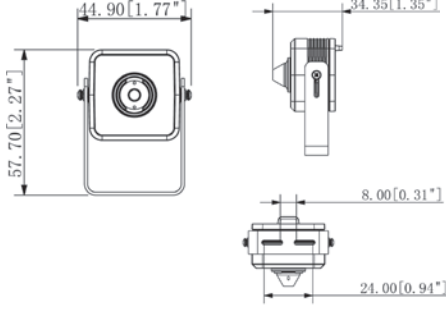


Discreet 5mm Camera Profile



Edge Recording via MicroSD

Specifications		VSIP2MPPH	VSIP4MPPH	VSIPPH-2S	
Model	Product Image				
	Ordering Information	<b>VSIP2MPPH:</b> 2.0MP Pinhole Camera + Control Unit	<b>VSIP4MPPHC:</b> 4.0MP Pinhole Camera <b>VSIP4MPPHM:</b> 4.0MP Main Box	<b>VSIPPH-2S:</b> 2.0MP Pinhole Camera	
Camera	Image Sensor	1/2.8" 2.0 Megapixel Progressive Scan CMOS	1/2.7" 4.0 Megapixel Progressive Scan CMOS	1/2.7" 2.0 Megapixel Progressive Scan CMOS	
	Effective Pixels	1920 (H) x 1080 (V)	2688 (H) x 1520 (V)	1920 (H) x 1080 (V)	
	RAM / ROM	256MB / 32MB	512MB / 32MB	256MB / 128MB	
	Min Illumination	0.07 Lux at F2.4 (Colour) / 0.007 Lux at F2.4 (B&W)	0.02 Lux at F2.4 (Colour) / 0.04 Lux at F2.4 (B&W)	Colour: F2.4 0.007lx (1/3s), 0.04lx (1/30s) B&W: F2.4 0.004lx (1/3s), 0.02lx (1/30s)	
	S/N Ratio	> 50dB		> 50dB	
Infrared System	N/A				
Lens	Lens / Iris	2.8mm F2.4 Fixed Lens			
	Field of View	Horizontal: 104°, Vertical: 57°	Horizontal: 83.4°, Vertical: 44.9°	Horizontal: 105°, Vertical: 60°	
	Focus	Fixed			
	DORI Distance	N/A	Detect: 61m / Observe: 24m / Recognise: 12m / ID: 6m	Detect: 63m / Observe: 25m / Recognise: 13m / ID: 6m	
Video	Resolution	1080p (1920 x 1080) to CIF (352 x 288)	4.0MP (2688 x 1520) to CIF (352 x 288)	1080p (1920 x 1080) to CIF (352 x 288)	
	Frame Rate	Main	1080p (1 ~ 25fps)	4.0MP (1 ~ 25fps)	1080p (1 ~ 25fps)
		Sub	D1 (1 ~ 25fps)	D1 (1 ~ 25fps)	D1 (1 ~ 25fps)
		Third	1080p (1 ~ 25fps)	720p (1 ~ 25fps)	1080p (1 ~ 14fps)
	Video Compression	H.265 / H.264		H.265 / H.264 / H.264H / MJPEG (sub stream)	
	Bit Rate	H.265: 14 ~ 5632Kbps / H.264: 24 ~ 9472Kbps	H.265: 14 ~ 9984Kbps / H.264: 24 ~ 10240Kbps	H.265: 12K~6400Kbps / H.264: 32K~8192Kbps	
	Bit Rate Control	Constant bit rate (CBR) / Variable bit rate (VBR)			
	Day/Night	Auto (Electronic) / Colour / B&W			
	Lighting Compensation	BLC / HLC / Digital WDR	BLC / HLC / WDR (120dB)	BLC / HLC / WDR (120dB)	
	White Balance	Auto / Natural / Street Lamp / Outdoor / Manual			
Gain Control	Auto / Manual				
Noise Reduction	3D DNR				
Network	Intelligent Functions	Face Detection, Tripwire, Intrusion, Abandoned/Missing Object, Motion Detection (4 Zone), Region of Interest (4 Zone), Privacy Masking (4 Zone)			
	Ethernet	RJ45 (10/100 Base-T)			
	Protocol	IPv4/IPv6; HTTP; HTTPS; SSL; TCP/IP; UDP; UPnP; ICMP; IGMP; SNMP; RTSP; RTP; SMTP; NTP; DHCP; DNS; PPPoE; DDNS; FTP; IP Filter; QoS; Bonjour			
	Streaming Method	Unicast / Multicast			
Interface	Max. User Access	10 Users / 20 Users			
	Video Interface	N/A			
	Audio Interface	1 Input, 1 Output / Compression: G.711a, G.711mu, G.726, AAC		1 Input / 1 Output	
	Alarm Interface	2 Inputs / 2 Output		N/A	
	RS232	1 Port		N/A	
	Edge Storage	MicroSD Card (up to 128GB) / NAS / Local PC		NAS/ Local PC	
	Interoperability	ONVIF / PSIA / CGI		ONVIF Profile S / API	
Environmental	Power Supply	12VDC / PoE (802.3af)		12VDC	
	Power Consumption	<6W		<1.5W	
	Operating Conditions	-30° ~ +60° C / Less than 95% RH			
	Ingress Protection	N/A			
	Vandal Resistance	N/A			
	Housing	Metal			
	Pan/Tilt/Rotation	N/A			
	Dimensions	Camera: Ø26 x 47mm / Control Unit: 110 x 83 x 24mm / Cable: 8m		44.9 x 57.7 x 34.35mm	
Net Weight	Camera: 0.13kg / Control Unit: 0.20kg	Camera: 0.21kg / Control Unit: 0.40kg	0.102kg		

Application		
		
VSIP2MPPH	VSIP4MPPHC	VSIPPH-2S



# Specialist AI Series

## PTZ, Fisheye & ANPR AI Cameras

### Series Overview

Add AI functionality to any surveillance setting with the Specialist AI series. This extensive range of solutions includes 360° fisheye domes, PTZs, ANPR & People Counting cameras.

### Model Reference

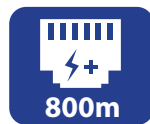
SKU	Description
VSIPP-2DG-ID	Professional 2.0MP Fixed AI Deterrence Turret
VSIPP-4DG-ID	Professional 4.0MP Fixed AI Deterrence Turret
VSIPP-8DG-ID	Professional 8.0MP Fixed AI Deterrence Turret
VSIPPTZ-4IRM-I	Professional 4.0MP AI Mini PTZ Dome
VSIPPTZ-8IRU-I	Ultimate 8.0MP AI PTZ Dome
VSIPPTZ-2IRP-I	Professional 2.0MP AI PTZ Dome
VSIPPTZ-4IRP-I	Professional 4.0MP AI PTZ Dome
VSIPPTZ-2IRP-I	Professional 2.0MP AI PTZ Dome
VSIPPTZ-4IRP-I	Professional 4.0MP AI PTZ Dome
VSIPPTZ-8IRP-I	Professional 8.0MP AI PTZ Dome
VSIPPTZ-2IRW-I	Professional 2.0MP AI PTZ Positioning Camera
VSIPFE-5IR-I	Professional 5.0MP AI 360° Fisheye Dome
VSIPFE-12IR-I	Professional 8.0MP AI 360° Fisheye Dome
VSIPNP-2BIRM-I	2.0MP Motorised AI ANPR Bullet
VSIPDL-3IR	3.0MP Dual Lens People Counting Camera



**Stream up to Ultra HD**  
Capture footage at 4K / Ultra HD with up to 3840 x 2160 resolution.



**Clear Footage at All Hours**  
With low light colour performance, True WDR & auto white balance.



**Extended Power over Ethernet**  
Utilise PoE over a long distance, with a maximum range of 800m.



**Intelligent Video Systems Plus**  
Go beyond standard IVS functions with People Counting, Heat Mapping & more.



**Smart Motion Detection**  
Smart motion detection that identifies vehicles & people to prevent false alarms.



**AI Face Recognition**  
Ultimate AI cameras process face data to extend AI NVR face recognition functions.

## Series Highlights

### AI surveillance for any application

with fixed, motorised, PTZ, fisheye & dual lens

The VIP Vision™ AI range features a wide variety of cameras for any surveillance application, as well as unique cameras built for specialised security functions.

- Deterrence turrets with built-in strobe light & siren
- Fisheye and PTZ cameras with person & vehicle detection
- Special ANPR & dual-lens people counting cameras



### Automate vehicle entry points

with white listing & integrated barrier control

Integrate an ANPR camera with car park barriers to control and monitor car park access automatically. In this setup, the gate will automatically open for vehicles with number plates registered in the camera white list.

- Set up car park barrier to automatically open for whitelisted vehicles, with recognition in <1 second
- Add up to 10,000 vehicles to the camera whitelist
- Plate image captured & logged plate number
- Customisable OSD that shows plate info, time etc.



### The best in intelligent people counting

with dual lens stereo vision AI cameras

While standard recorders are capable of people counting, the Dual Lens AI Camera delivers this feature with the greatest accuracy and speed, capturing 3D depth and analysing to detect & track human bodies with greater accuracy.

- Detect & track human bodies with 98% accuracy
- Count by line crossing or region of interest
- Show separate statistics for entrance & exit
- *Feature requires AI NVR to function properly*





# Surveillance & deterrence.

## Professional AI Series: Fixed AI deterrence turrets in 2.0MP, 4.0MP & 8.0MP

Featuring smart motion detection, the Professional AI Series can distinguish between people, vehicles & other motion to filter out false alarms, providing real-time alerts and analytics. These models feature intelligent people counting and active deterrence, with loud siren & strobe lights that activate in response to alarm or recorder events.

- Stream up to 8.0MP (3840 x 2160) at 20fps
- H.265+ encoding for efficient storage & streaming
- Flashing red & blue light and siren for recorder events
- Back/highlight compensation & true WDR (120dB)
- MicroSD slot for recording at the edge up to 256GB
- Intelligent AI detection to identify people & vehicles
- Smart Motion Detection (SMD+) & Perimeter Protection to prevent false alarms, using VIP Vision NVRs
- 3D digital noise reduction & auto white balance
- IP67 weather rated housing for outdoor use



Smart Person & Vehicle Detection






Built-in Strobe & Siren Alarm



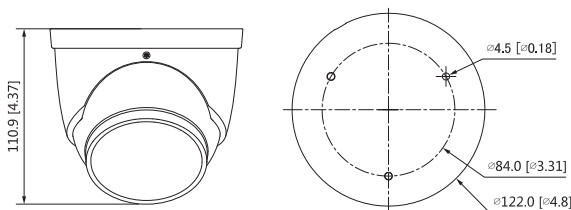
Superb Low Light Performance



# Professional AI Series Deterrence Turret Domes | Series Specifications

Specifications		2.0MP Fixed AI Deterrence Turret	4.0MP Fixed AI Deterrence Turret	8.0MP Fixed AI Deterrence Turret	
Model	Product Image				
	Ordering Information	<b>VSIPP-2DG-ID</b>	<b>VSIPP-4DG-ID</b>	<b>VSIPP-8DG-ID</b>	
Camera	Image Sensor	1/2.8" 2.0MP Progressive Scan CMOS	1/2.7" 4.0MP Progressive Scan CMOS	1/2.8" 8.0MP Progressive Scan CMOS	
	Effective Pixels	1920 (H) x 1080 (V)	2688 (H) x 1520 (V)	3840 (H) x 2160 (V)	
	RAM / ROM		512MB / 128MB		
	Min Illumination	0.0015 Lux/F1.0 (Color)	0.003 Lux/F1.0 (Color)	0.007 Lux/F1.0 (Color)	
	S/N Ratio		> 56dB		
	LED Illumination		1 x Strobe LED (Warm White)		
Lens	Lens / Iris	2.8mm F1.0 Fixed Lens	2.8mm F1.0 Fixed Lens	2.8mm F1.4 Fixed Lens	
	Field of View	Horizontal: 107°, Vertical: 55°	Horizontal: 103°, Vertical: 53°	Horizontal: 107°, Vertical: 56°	
	Focus	Auto Focus / 0.8m Min. Focus Distance	Auto Focus / 1.2m Min. Focus Distance	Auto Focus / 1.2m Min. Focus Distance	
DORI	Detect (25px/m)	47m	67m	88m	
	Observe (63px/m)	19m	27m	35m	
	Recognise (125px/m)	9m	14m	18m	
	Identify (250px/m)	5m	7m	9m	
Video	Resolution	1080p (1920 x 1080) to CIF (352 x 288)	4.0MP (2688 x 1520) to CIF (352 x 288)	8.0MP (3840 x 2160) to CIF (352 x 288)	
	Frame Rate	Main	1080p (1 ~ 25fps)	4.0MP (1 ~ 25fps)	8.0MP (1 ~ 20fps)
		Sub		704 x 576 (1 ~ 25fps)	
		Third		1080p (1 ~ 25fps)	
	Video Compression		H.265+ / H.265 / H.264+ / H.264 / H.264B / MJPEG		
	Bit Rate		H.265: 12 ~ 8192Kbps / H.264: 32 ~ 8192Kbps		
	Bit Rate Control		Constant bit rate (CBR) / Variable bit rate (VBR)		
	Day/Night		Auto (ICR) / Color / B&W		
	Lighting Compensation		BLC / HLC / WDR (120dB)		
	White Balance		Auto / Natural / Street Lamp / Outdoor / Manual		
Gain Control		Auto / Manual			
Noise Reduction		3D DNR			
Picture Control		Mirror / Flip (0°, 90°, 180°, 270°)			
IVS	Video Functions	Motion Detection (4 zones), Region of Interest (4 zones), Privacy Masking (4 zones), Smart Illumination, Defog, Object Abandoned / Missing, Heat Map <b>Event Triggers:</b> Motion Detection, Perimeter Protection, People Counting, Loitering Detection, Video Tampering, Scene Changing, Network Disconnection, IP Address Conflict, Illegal Access, Storage Anomaly			
	AI Functions	<b>Perimeter Protection:</b> People and vehicle detection using tripwire or intrusion rules <b>Loitering detection:</b> People gathering and parking detection			
	Intelligent search	Search people or vehicle detection events (Perimeter Protection)			
Network	Ethernet	RJ-45 (10/100Base-T)			
	Protocol	IPv4; IPv6; HTTP; HTTPS; TCP; UDP; ARP; RTP; RTSP; RTCP; SMTP; FTP; SFTP; DHCP; DNS; DDNS; QoS; UPnP; NTP; Multicast; ICMP; IGMP; NFS; PPPoE; 802.1x; SNMP			
	Streaming Method	Unicast / Multicast			
	Max. User Access	20 Users			
Interface	Video Interface	N/A			
	Audio Interface	Built-in Mic / Built-in Speaker / Audio Compression - G.711a; G.711Mu; G726; AAC, G723			
	Alarm Interface	1 channel in: 5mA 5VDC / 1 channel out: 300mA 12VDC			
	RS485	N/A			
	Edge Storage	MicroSD Card (up to 256GB) / NAS / FTP / SFTP			
Environmental	Interoperability	ONVIF (Profile S, Profile G, Profile T) / P2P / CGI / Milestone / Genetec			
	Power Supply	12VDC / PoE (802.3af)			
	Power Consumption	<7.3W	<8.0W	<8.2W	
	Operating Conditions	-40°C ~ +60°C / ≤95% RH			
	Ingress Protection	IP67			
	Vandal Resistance	N/A			
	Housing	Metal			
	Pan/Tilt/Rotation	Pan: 0° ~ 360°, Tilt: 0° ~ 78°, Rotation: 0° ~ 360°			
Dimensions	Ø122mm x 111mm				
Net Weight	0.75kg				

## Application



Junction Box		Wall Mount
VSBKTA137		VSBKTB205W
Corner Mount	Pole Mount	Ceiling Mount
VSBKTB205W + VSBKTA151	VSBKTB205W + VSBKTA152E	VSBKTA106 + VSBKTB220C



# The best in imaging & AI.

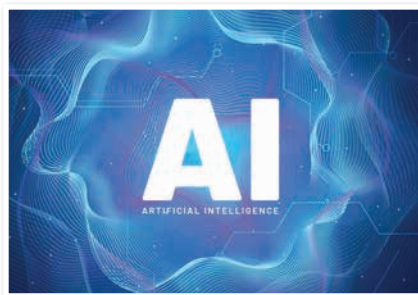
## Ultimate AI PTZ Series: 40x zoom PTZ dome available in 8.0MP

Ultimate AI Series PTZ domes offer the best in camera performance & mobility, with machine-learning AI features to deliver a superior PTZ surveillance experience. Capture incredible images in 4K resolution, with 40x optical zoom & exceptional low-light performance. This camera can perform face recognition comparison and distinguish people & vehicles from other motion events, using smart auto-tracking to follow subjects.

- Stream up to 8.0MP / 4K (3840 x 2160) at 25fps
- 40x optical zoom lens (64° ~ 2° viewing angles)
- Low light colour performance at 0.002lx; 500m IR
- Intelligent auto tracking via person/vehicle AI rules
- Face recognition database up to 10,000 face images
- Endless 360° panning with -30° ~ 90° tilt adjust
- MicroSD card slot for edge recording applications
- Audio, alarm and video interface input/output
- Supports power via Hi-PoE (IEEE802.1x)
- Built-in camera heater & IP67 rated housing




40x Lossless Optical Zoom

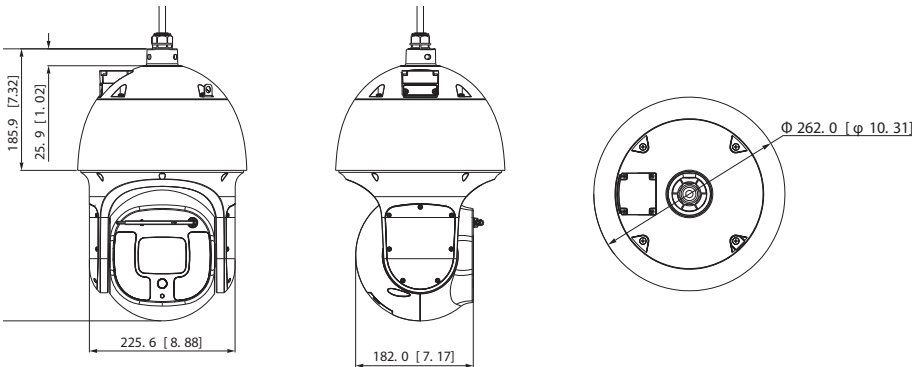


Face Recognition & Perimeter Protection



Superb Low Light Performance

Specifications		8.0MP 40x Zoom PTZ with AI
Model	Product Image	
	Ordering Information	<b>VSIPPTZ-8IRU-I</b>
Camera	Image Sensor	1/1.8" 8.0MP Progressive Scan CMOS
	Effective Pixels	3840 (H) x 2160 (V)
	Min Illumination	0.002 Lux/F1.4 (Color), 0.0002 Lux/ F1.4 (B/W), 0 Lux/F1.4 (IR on)
	Infrared System	10 x Infrared LED, 500m range, Auto/manual on/off control
Lens	Lens / Iris	5.6 ~ 223mm F1.4 ~ F4.8 Motorised Lens with Auto Iris
	Field of View	63.9° ~ 2.0° (H), 37.2° ~ 1.2° (V), 71.2° ~ 2.4° (40x Optical Zoom)
	Focus	Auto/Manual Control, 0.1 ~ 1m Min. Focus Distance
	DORI Distances	4400m / 1740m / 880m / 440m
PTZ	Pan / Tilt Range	Pan: 0 ~ 360° (endless) / Tilt: -30 ~ 90° / Auto-flip 180°
	PTZ Speed	<b>Preset:</b> Pan: 240°/s; Tilt: 120°/s <b>Manual:</b> Pan: 240°/s; Tilt: 100°/s
	Modes / Presets	Up to 300 presets / 5 Pattern, 8 Tour, Auto Pan, 5 Auto Scan
	Start-up Action	Auto-restore to previous PTZ/lens status
Video	Resolution	8.0MP (3840 x 2160) to CIF (352 x 288)
	Frame Rate	Main: 8.0MP (1 ~ 25fps) Sub: D1 (1 ~ 25fps) Third: 1080p (1 ~ 25fps)
	Video Compression	H.265+ / H.265 / H.264+ / H.264 / MJPEG (Sub Stream)
	Bit Rate	H.265/H.264: 512K ~ 8192Kbps
	Bit Rate Control	Constant bit rate (CBR) / Variable bit rate (VBR)
	Day/Night	Auto (ICR) / Color / B&W
	Lighting Compensation	BLC / HLC / WDR (120dB)
	White Balance	Auto / ATW / Indoor / Outdoor / Manual
	Gain Control	Auto / Manual
	Noise Reduction	Ultra 2D/3D DNR
	Picture Control	Flip 180°
	Intelligence	AI Functions
IVS Functions		Abandoned object detection, Missing object detection
Video Functions		Motion Detection, Region of Interest, Electronic Image Stabilisation, Privacy Masking (24 zones), Defog
Event Trigger		Motion Detection, Video Tampering, Scene Changing, Network Disconnection, IP Address Conflict, Illegal Access, Storage Anomaly
Network	Ethernet	RJ-45 (10Base-T/100Base-TX)
	Protocol	IPv4/IPv6; HTTP; HTTPS; SSL; TCP/IP; UDP; UPnP; ICMP; IGMP; SNMPv1/v2c/v3(MIB-2); ARP; RTCP; RTSP; RTP; SMTP; NTP; DHCP; DNS; PPPOE; DDNS; FTP; IP Filter; QoS; Bonjour; 802.1x
	Streaming Method	Unicast / Multicast
	Max. User Access	20 Users
Interface	Video Interface	1 port (BNC, 1.0V [p-p], 75Ω)
	Audio Interface	1 Input, 1 Output / Compression: G.711a/G.711mu/PCM/G.726/AAC/G722.1/G.729/ MPEG2-Layer2
	Alarm Interface	7 Inputs / 2 Outputs
	RS485	Yes
	Edge Storage	MicroSD Card (up to 256GB) / NAS / Local PC
Environmental	Interoperability	ONVIF Profile S&G / API
	Power Supply	24VAC / 3A (±25%) / Hi-PoE
	Power Consumption	<26W / <42W (infrared & heater on)
	Operating Conditions	-40° ~ +70° C / Less than 95% RH
	Ingress Protection	IP67
	Vandal Resistance	N/A
	Housing	Metal
Dimensions & Weight	Ø262(mm) x 415.6 (mm) / 8.5kg	

Application		Included Accessories	
		AC power supply VSBKTB306W	
		Wall Mount	Pole Mount
	VSBKTB306W	VSBKTB306W + VSBKTA150	



# Intelligent AI auto-tracking.

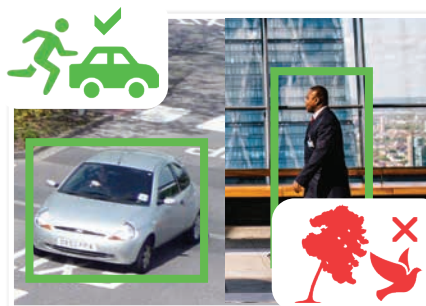
PTZ AI Series: AI perimeter protection PTZ domes in 2.0MP, 4.0MP & 8.0MP

Offer a versatile surveillance experience and ensure all areas are covered with up to 32x optical zoom, auto-tracking and fast endless 360° panning. Experience impressive AI powered video analytics and filter false alarms with AI face detection and AI Perimeter Protection technology, providing meaningful video event notifications in real-time.

- Stream up to 8.0MP (3840 x 2160) at 25fps
- Up to 32x optical zoom; Identify faces from up to 300m
- Low light colour performance at 0.005lx; 150m IR
- Endless 360° panning and -15° ~ 90° tilt adjustable
- MicroSD card slot for edge recording applications
- Perimeter Protection to identify people & vehicles
- Combine Perimeter Protection with Tripwire/Intrusion to prevent false alarms, all using any VIP Vision NVR
- Power by PoE+ (802.3at) or 24VAC (PSU included)
- IP67 weather rated, lightweight dome housing






Up to 4K Ultra HD Resolution

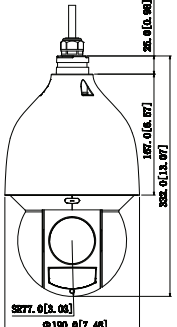
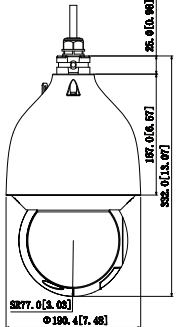


Smart Person & Vehicle Detection



Up to 32x Lossless Optical Zoom

Specifications		2.0MP 25x Zoom AI PTZ	4.0MP 32x Zoom AI PTZ	8.0MP 25x Zoom AI PTZ	
Model	Product Image				
	Ordering Information	<b>VSIPPTZ-2IRP-I</b>	<b>VSIPPTZ-4IRP-I</b>	<b>VSIPPTZ-8IRP-I</b>	
Camera	Image Sensor	1/2.8" 2.0MP Starvis™ CMOS	1/2.8" 4.0MP Starvis™ CMOS	1/1.8" 8.0MP Starvis™ CMOS	
	Effective Pixels	1920 (H) x 1080 (V)	2560 (H) x 1440 (V)	3840 (H) x 2160 (V)	
	RAM / ROM	1GB / 4GB		2GB / 8GB	
	Min Illumination	0.005 Lux/F1.6 (Colour), 0.0005 Lux/ F1.6 (B/W)/, 0 Lux (IR Light On)	0.005 Lux/F1.35 (Colour), 0.0005 Lux/ F1.35 (B/W)/, 0 Lux (IR Light On)	0.005 Lux/F1.6 (Colour), 0.0005 Lux/ F1.6 (B/W)/, 0 Lux (IR Light On)	
Infrared System	4 x Infrared LED, 150m range, Zoom Prio/Auto/Manual/Smart IR On/Off control				
Lens	Lens / Iris	5.4mm ~ 135mm F1.6 ~ F3.5 Motorised Lens	4.9mm ~ 156mm F1.35~ F4.4 Motorised Lens	5.4mm ~ 135mm F1.6 ~ F4.0 Motorised Lens	
	Field of View	58.7° ~ 3.1° (H), 33.2° ~ 1.7° (V), 67.3 ~ 3.9° (D) (25x Optical Zoom)	61.6° ~ 2.1° (H), 35.1° ~ 1.3° (V), 68.2 ~ 2.5° (D) (32x Optical Zoom)	61.6° ~ 3.6° (H), 35.7° ~ 2° (V), 66.6 ~ 4° (D) (25x Optical Zoom)	
	Focus	Auto/Semi-Auto/Manual / 0.1m ~ 1.5m Min. Focus Distance		Auto/Semi-Auto/Manual / 0.5m ~ 7m Min. Focus Distance	
DORI	Detect (25px/m)	1655m	3120m	2700m	
	Observe (63px/m)	657m	1232m	1066m	
	Recognise (125px/m)	331m	624m	540m	
	Identify (250px/m)	166m	312m	270m	
PTZ	Pan / Tilt Range	Pan: 0° ~ 360° (endless) / Tilt: -15° ~ 90° / Auto Flip 180°			
	PTZ Speed	Preset: Pan: 400°/s; Tilt: 300°/s Manual: Pan: 300°/s; Tilt: 200°/s			
	Modes / Presets	Up to 300 presets / 5 Pattern, 8 Tour, 5 scanning, Auto Pan, Auto Scan			
	Start-up Action	Auto-restore to previous PTZ/lens status			
	Auto Tracking	Support			
Video	Resolution	1080p (1920 x 1080) to CIF (352 x 288)	4.0MP (2560 x 1440) to CIF (352 x 288)	8.0MP (3840 x 2160) to CIF (352 x 288)	
	Frame Rate	Main	1080p (1 ~ 50fps)	4.0MP (1 ~ 25fps)	8.0MP (1 ~ 25fps)
		Sub		D1 (1 ~ 25fps)	
		Third	1080p (1 ~ 25fps)	720p (1 ~ 25fps)	1080p (1 ~ 25fps)
	Video Compression	H.265+ / H.265 / H.264+ / H.264 / MJPEG	H.265+ / H.265 / H.264+ / H.264 / H.264B / H.264H / MJPEG	H.265+ / H.265 / H.264+ / H.264 / MJPEG	
	Bit Rate	H.265/H.264: 3 ~ 20480Kbps		H.265/H.264: 32 ~ 8192Kbps	
	Bit Rate Control	Constant bit rate (CBR) / Variable bit rate (VBR)			
	Day/Night	Auto (ICR) / Color / B&W			
	Lighting Compensation	BLC / HLC / WDR (120dB)			
	White Balance	Auto / Indoor / Outdoor / Tracking / Manual / Sodium lamp / Natural light / Street lamp			
	Gain Control	Auto / Manual			
	Noise Reduction	2D / 3D DNR			
	Picture Control	Flip 0°/180°			
IVS	Intelligent Functions	Abandoned/Missing Object, Motion Detection, Region of Interest, Electronic Image Stabilisation, Privacy Masking (24 zones), Defog			
	Perimeter Protection	Tripwire & Intrusion (Add recognition of humans & vehicles)			
	Intelligent Search	Via NVR Smart Search, Search tripwire/intrusion events by people or vehicle			
	SMD+	Filter motion detection alarms, recognises humans and vehicles from other moving objects			
Metadata	Supports human, motor vehicles and non motor vehicle search. Supports face image capture and footage search by face image & facial attributes				
Network	Ethernet	RJ-45 (10/100Base-T)			
	Protocol	IPv4; IPv6; HTTP; HTTPS; 802.1x; Qos; FTP; SMTP; UPnP; SNMPv1/v2c/v3 (MIB-2); DNS; DDNS; NTP; RTSP; RTP; TCP; UDP; IGMP; ICMP; DHCP; PPPoE; ARP; RTCP			
	Streaming Method	Unicast / Multicast			
	Max. User Access	20 Users			
Audio Interface	1 Input / 1 Output / Compression: G.711A; G.711Mu; G.726; AAC; G.722.1; G.723; G.729; PCM; MPEG2-Layer2				
Alarm Interface	2 Inputs / 1 Output				
RS485	N/A				
Edge Storage	FTP; Micro SD card (256G); P2P				
Interoperability	ONVIF Profile S&G&T; CGI				
Environmental	Power Supply	24VAC/3A (±25%) / PoE+ (802.3at)			
	Power Consumption	<8W / <20W (IR on)	<12W / <20W (IR on)	<11W / <20W (IR on)	
	Operating Conditions	-40° ~ +70° C / Less than 95% RH			
	Ingress Protection	IP67			
	Vandal Resistance	IK10			
	Surge Protection	TVS 6000V Lightning Protection / Surge Protection			
	Housing	Metal			
	Dimensions	Ø190mm x 332mm			
Net Weight	4.7kg				

Application				
	Wall Mount	Pole Mount	Ceiling Mount	Parapet Mount
	VSBKTB305W	VSBKTB305W + VSBKTA150	VSBKTA111 + VSBKTB300C + (+ VSBKTA112/13 optional extension)	VSBKTA111 + VSBKTB303S
	VSBKTB305W + VSBKTA120	VSBKTA111 + VSBKTB300C + VSBKTA150		
	VSBKTB305W + VSBKTA140			



# Total coverage, every angle.

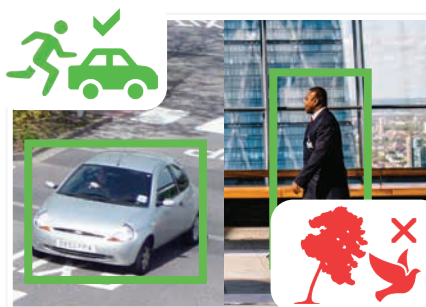
## PTZ AI Series: PTZ positioning camera with AI powered video analytics

Built for complete open-area coverage, the vandal-resistant AI PTZ combines the flexibility and power of PTZ with the utility of smart AI features. The PTZ AI Series identifies people & vehicles using machine learning, to reduce false motion detection alerts and provide meaningful video event notifications in real-time.

- Stream up to 2.0MP (1920 x 1080) at 50fps
- 25x optical zoom lens (59.2° ~ 2.4° viewing angles)
- Low light colour performance at 0.005lx; 150m IR
- Auto tracking with intelligent video functions
- Intelligent AI detection to identify people & vehicles
- Smart Motion Detection (SMD+) & Perimeter Protection to prevent false alarms, using VIP Vision NVRs
- MicroSD slot for recording at the edge up to 256GB
- Supports Power over Ethernet (802.3af) or 24VAC
- IP67 weather rated & lightning proof housing




Up to 25x Lossless Optical Zoom



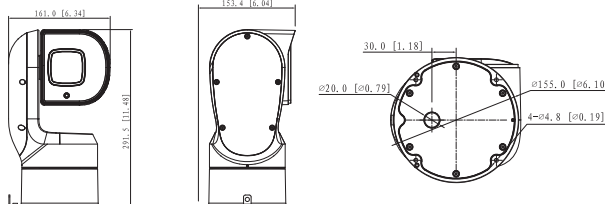
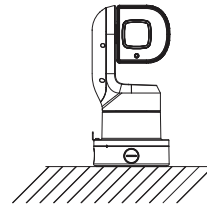
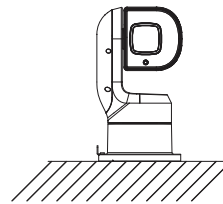
Smart Person & Vehicle Detection



Complete Pan-Tilt Area Coverage

Specifications		2.0MP AI PTZ Positioning Camera	
Model	Product Image		
	Ordering Information	<b>VSIPPTZ-2IRW-I</b>	
Camera	Image Sensor	1/2.8" 2.0MP Progressive Scan CMOS	
	Effective Pixels	1920 (H) x 1080 (V)	
	RAM / ROM	1GB / 4GB	
	Min Illumination	0.005 Lux/F1.6 (Color), 0.0005 Lux/ F1.6 (B/W), 0 Lux (IR on)	
	S/N Ratio	>55dB	
	Infrared System	4 x Infrared LED, 150m range, Zoom Prio / Manual / OFF on/off control	
Lens	Lens / Iris	4.8 ~ 120mm F1.6 ~ F3.5 Motorised Lens with Auto Iris	
	Field of View	Horizontal: 61~2.8°, Vertical: 33.2°~1.7° (25x Optical Zoom)	
	Focus	Auto/Semi-Auto/Manual / 0.1 ~ 1.5m Min. Focus Distance	
DORI	Detect (25px/m)	1655m	
	Observe (63px/m)	657m	
	Recognise (125px/m)	331m	
	Identify (250px/m)	166m	
PTZ	Pan / Tilt Range	Pan: 0 ~ 360° / Tilt: -90 ~ 90°	
	PTZ Speed	Preset: Pan: 160°/s; Tilt: 110°/s    Manual: Pan: 0.1° ~ 120°/s; Tilt: 0.1° ~ 75°/s	
	Modes / Presets	Up to 300 presets / 8 tour	
	Start-up Action	Auto-restore to previous PTZ/lens status	
	Auto Tracking	Support	
Video	Resolution	1080p (1920 x 1080) to CIF (352 x 288)	
	Frame Rate	Main	1080p (1 ~ 50fps)
		Sub	D1/ CIF (1 ~ 50fps)
		Third	1080p / 960p / 720p / D1 / CIF (1 ~ 50fps)
	Video Compression	H.265; H.264; H.264B; H.264H; MJPEG (Sub Stream); H.265+; H.264+	
	Bit Rate	H.264 / H.265: 3 ~ 20480Kbps	
	Bit Rate Control	Constant bit rate (CBR) / Variable bit rate (VBR)	
	Day/Night	Auto (ICR) / Color / B&W	
	Lighting Compensation	BLC / HLC / WDR (120dB)	
	White Balance	Auto / Indoor / Outdoor / Track / Manual / Sodium Lamp / Natural Light / Street Lamp	
	Gain Control	Auto / Manual	
	Noise Reduction	2D / 3D	
Picture Control	Flip 180°		
IVS	Video Functions	Abandoned/Missing Object, Motion Detection, Region of Interest, Electronic Image Stabilisation, Privacy Masking (24 zones), Defog	
	AI Functions	<b>Smart Motion Detection (SMD+):</b> People and vehicle detection using motion detection <b>Perimeter Protection:</b> People and vehicle detection using tripwire or intrusion rules	
	Event Trigger	Motion Detection, Video Tampering, Audio Detection, Scene Changing, Network Disconnection, IP Address Conflict, Illegal Access, Storage Anomaly	
	Intelligent Search	Search people or vehicle detection events (SMD+, Perimeter Protection)	
Network	Ethernet	RJ-45 (10Base-T/100Base-TX)	
	Protocol	IPv4; IPv6; HTTP; HTTPS; 802.1x; Qos; FTP; SMTP; UPnP; SNMP; DNS; DDNS; NTP; RTSP; RTP; TCP; UDP; IGMP; ICMP; DHCP; PPPoE; ARP; SNMPv1/v2c/v3 (MIB-2); RTCP; RTMP	
	Streaming Method	Unicast / Multicast	
	Max. User Access	20 Users	
Interface	Video Interface	N/A	
	Audio Interface	1 Input, 1 Output / Supports Two-way Audio / Compression: G.711a; G.711Mu; G.726; AAC; MPEG2-Layer2; G.722.1; G.729; G.723	
	Alarm Interface	2 Inputs / 1 Output / Alarm Linkage: Capture; Preset; Tour; Pattern; SD Card Record; Trigger Digital Output; Client Electronic Map; Send Email	
	RS485	N/A	
	Edge Storage	MicroSD Card (up to 256GB) / FTP / NAS	
Environmental	Interoperability	ONVIF (Profile S/ Profile G) / CGI	
	Power Supply	12VDC 4A ± 10% / PoE (802.3af)	
	Power Consumption	<14W / <23W (IR on, PTZ operations)	
	Operating Conditions	-40° ~ +70° C / ≤95% RH	
	Ingress Protection	IP67	
	Surge Protection	TVS 8000V Lightning Proof / Surge Protection / Voltage Transient Protection	
	Housing	Metal	
Pan/Tilt/Rotation	N/A		
Dimensions	161mm x 135mm x 292mm		
Net Weight	3.6kg		

## Application

		
<p>Included Accessories</p> <p>12VDC/4A Power Adapter</p>	<p>Junction Box</p> <p>VSBKTA720</p>	<p>Wall Mount</p> <p>VSBKTB730W</p>



AI People  
& Vehicle  
Detection



# Compact & powerful AI PTZ.

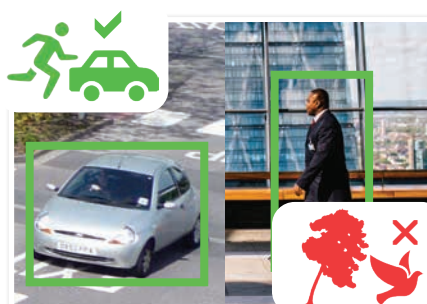
## PTZ AI Series: 4x zoom PTZ dome with AI powered video analytics

Small in size but big on features, the PTZ AI Dome combines the flexibility and coverage of PTZ with the power of smart AI technology. The PTZ AI Series identifies people & vehicles using machine learning, reducing false motion detection alerts and provide meaningful video event notifications in real-time.

- Stream up to 4.0MP (2560 x 1440) at 25fps
- 4x optical zoom lens (31.6° ~ 96.9° H viewing angles)
- Low light colour performance at 0.005lx; 15m IR
- 355° panning with tilt adjust; flip 180°
- Intelligent AI detection to identify people & vehicles
- Smart Motion Detection (SMD+) & Perimeter Protection to prevent false alarms, using VIP Vision NVRs
- MicroSD card slot for recording up to 256GB
- Supports Power over Ethernet (802.3af)
- IP66 weather & IK08 vandal rated resistant housing



Up to 4x Optical Zoom



Smart Person & Vehicle Detection



Superb Low Light Performance



Specifications		4.0MP 4x Zoom AI PTZ Dome	
Model	Product Image		
	Ordering Information	<b>VSIPPTZ-4IRM-I</b>	
Camera	Image Sensor	1/2.8" 4.0MP Progressive Scan CMOS	
	Effective Pixels	2560 (H) x 1440 (V)	
	RAM / ROM	1GB / 4GB	
	Min Illumination	0.005 Lux/F1.8 (Color), 0.0005 Lux/ F1.8 (B/W), 0 Lux (IR on)	
	S/N Ratio	N/A	
Lens	Infrared System	3 x Infrared LED, 15m range, Auto/manual on/off control	
	Lens / Iris	2.8 ~ 12mm F1.8 ~ F2.7 Motorised Lens with Auto Iris	
	Field of View	Horizontal: 32~97°, Vertical: 18°~51° (4x Optical Zoom)	
DORI	Focus	Auto/Manual / 0.2m Min. Focus Distance	
	Detect (25px/m)	147m	
	Observe (63px/m)	59m	
	Recognise (125px/m)	29m	
	Identify (250px/m)	15m	
PTZ	Pan / Tilt Range	Pan: 0 ~ 355° / Tilt: 5 ~ 90°	
	PTZ Speed	Preset: Pan: 80°/s; Tilt: 40°/s    Manual: Pan: 70°/s; Tilt: 30°/s	
	Modes / Presets	Up to 300 presets / 8 tour	
	Start-up Action	Auto-restore to previous PTZ/lens status	
	Auto Tracking	N/A	
Video	Resolution	4.0MP (2560 x 1440) to CIF(352 x 288)	
	Frame Rate	Main	4.0MP (1 ~ 25fps)
		Sub	D1 (1 ~ 25fps)
		Third	D1 (1 ~ 25fps) / 720p (1 ~ 25fps)
	Video Compression	H.265; H.264 Baseline Profile; H.264 Main Profile; H.264 High Profile; MJPEG (Sub Stream); H.265+; H.264+	
	Bit Rate	H.264 / H.265 / MJPEG: 3 ~ 20480Kbps	
	Bit Rate Control	Constant bit rate (CBR) / Variable bit rate (VBR)	
	Day/Night	Auto (ICR) / Color / B&W	
	Lighting Compensation	BLC / HLC / WDR (120dB)	
	White Balance	Auto / Indoor / Outdoor / Track / Manual / Sodium Lamp / Natural Light / Street Lamp	
	Gain Control	Auto / Manual	
IVS	Noise Reduction	2D / 3D	
	Picture Control	Flip 180°	
	Video Functions	Abandoned/Missing Object, Motion Detection, Region of Interest, Electronic Image Stabilisation, Privacy Masking (24 zones), Defog	
	AI Functions	<b>Smart Motion Detection (SMD+):</b> People and vehicle detection using motion detection <b>Perimeter Protection:</b> People and vehicle detection using tripwire or intrusion rules <b>Other:</b> Fast Moving Detection, Loitering Detection, Parking & Gathering Detection	
	People Counting	Supports Line Crossing/Region/Queuing People Counting, Report Generation	
Network	Event Trigger	Motion Detection, Video Tampering, Scene Changing, Network Disconnection, IP Address Conflict, Illegal Access, Storage Anomaly	
	Intelligent Search	Search people or vehicle detection events (SMD+, Perimeter Protection)	
	Ethernet	RJ-45 (10Base-T/100Base-TX)	
	Protocol	IPv4; IPv6; HTTP; HTTPS; 802.1x; Qos; FTP; SMTP; UPnP; SNMPv1/v2c/v3 (MIB-2); DNS; DDNS; NTP; RTSP; RTP; TCP; UDP; IGMP; ICMP; DHCP; PPPoE; ARP; RTCP	
Interface	Streaming Method	Unicast / Multicast	
	Max. User Access	20 Users	
	Video Interface	N/A	
	Audio Interface	1 Input, 1 Output / Compression: G.711a; G.711Mu; G.726; AAC; MPEG2-Layer2; G.722.1; G.729; G.723	
	Alarm Interface	N/A	
Environmental	RS485	N/A	
	Edge Storage	MicroSD Card (up to 256GB) / FTP / P2P	
	Interoperability	ONVIF / CGI	
	Power Supply	12VDC 1.5A / PoE (802.3af)	
	Power Consumption	<3W / <8.5W (IR on)	
	Operating Conditions	-30° ~ +60° C / ≤95% RH	
	Ingress Protection	IP66	
	Vandal Resistance	IK08	
Housing	Metal		
Pan/Tilt/Rotation	N/A		
Dimensions	Ø128mm x 65mm		
Net Weight	0.49kg		

Application					
	Ceiling Mount	Wall Mount	Corner Mount	Pole Mount	Pole Mount
	VSBKTA107 + VSBKT220C	VSBKTA107 + VSBKT305W	VSBKTA107 + VSBKT305W + VSBKTA151	VSBKTA107 + VSBKT305W + VSBKTA150	VSBKTA107 + VSBKT220C + VSBKTA150



# Complete 360° AI coverage.

## Fisheye AI Series: 360° Fisheye IP Camera with AI people counting in 12.0MP

The Fisheye AI Series 360° dome performs the duties of multiple cameras, with the powerful benefit of AI-powered people counting, queue management and heat mapping. Receive alerts when a certain number of people enter an area with queue management or set up heat map to observe the amount of time spent in areas.

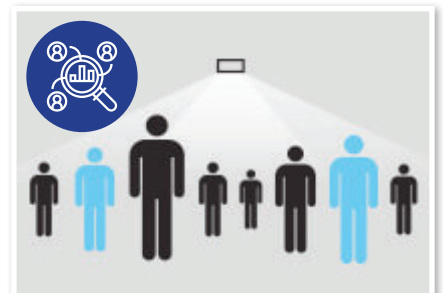
- Stream up to 12.0MP (4000 x 3000) at 25fps
- Circular fisheye lens with 360° viewing angle
- Dewarp modes\* for ceiling, floor & wall mounting
- Virtual PTZ, panorama, & camera split dewarp modes
- Up to 10m infrared range; true day/night (auto ICR)
- AI-enhanced people tracking for real-time alerts, statistics and business analytics
- Heat map, queue management & regions of interest
- MicroSD card slot for edge recording up to 128GB
- IP67 weather & IK10 vandal resistant housing




**Superb Image Performance**

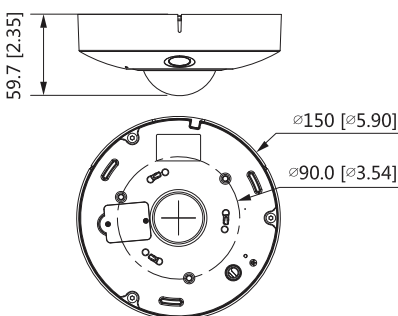
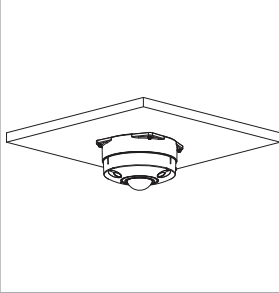
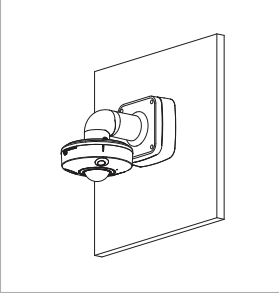
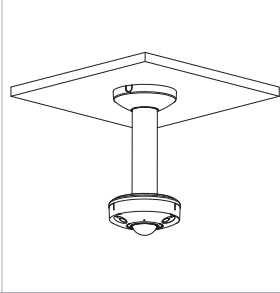


**Fisheye Image Dewarp Modes**



**AI-Enhanced People Counting**

Specifications		12.0MP 360° Fisheye with AI People Counting	
Model	Product Image		
	Ordering Information	<b>VSIPFE-12IR-I</b>	
Camera	Image Sensor	1/1.7" 12.0MP Progressive Scan CMOS	
	Effective Pixels	4000 (H) x 3000 (V)	
	RAM / ROM	4GB / 4GB	
	Min Illumination	0.001 Lux/F2.0 (colour 1/3s), 0.01 Lux/F2.0 (colour 1/30s), 0 Lux/F2.0 (IR on)	
	S/N Ratio	49.7dB	
	Infrared System	3 x Infrared LED, 10m range	
Lens	Lens / Iris	1.85mm F2.0 Fixed Focal Lens with Fixed Aperture	
	Field of View	Horizontal: 185°, Vertical: 180°	
	Focus	Fixed	
	DORI	Detect (25px/m): 40m / Observe (63px/m): 16m / Recognise (125px/m): 8m / Identify (250px/m): 4m	
Video	Resolution	12.0MP (4000 x 3000) to CIF (352 x 288)	
	Frame Rate	Main	12.0MP (1 ~ 25fps)
		Sub	D1 (1 ~ 25fps)
		Third	D1 (1 ~ 25fps)
	Video Compression	H.265, H.264, H.264H, H.264B, MJPEG	
	Bit Rate	H264: 88Kbps-16384Kbps ;H265: 52Kbps-16384Kbps	
	Bit Rate Control	Constant bit rate (CBR) / Variable bit rate (VBR)	
	Day/Night	N/A	
	Lighting Compensation	DWDR	
	White Balance	Auto / Natural / Street Lamp / Outdoor / Manual / Regional Custom	
	Gain Control	Manual	
	Noise Reduction	3D DNR	
IVS	Dewarping Modes	Original (no dewarp) / Panoramic / Double Panoramic / Virtual PTZ / Original + 3 split, + 4 split, + 8 split	
	Intelligent Functions	Intrusion, Tripwire, Region of Interest (4 zones), Privacy Masking (4 zones) Smart Infrared, Heat Map	
Network	People Counting	Queue Management (Triggers alarm when designated amount of people enters zone, 4 zones), Heat Mapping (Number of people and time spent)	
	Ethernet	RJ-45 (10/100Base-T)	
	Protocol	HTTP, TCP, ARP, RTSP, RTP, UDP, RTCP, SMTP, FTP, DHCP, DNS, DDNS, PPPoE, IPv4/v6, SNMP, QoS, UPnP, NTP	
	Streaming Method	Unicast / Multicast	
	Max. User Access	20 Users	
Interface	Video Interface	N/A	
	Audio Interface	1 Channel Input (RCA), 1 Built-in Mic / 1 Channel Output / Audio Compression: G.711A, G.711Mu, G726, AAC	
	Alarm Interface	2 Channel Input / 2 Channels Output	
	RS485	N/A	
	Edge Storage	MicroSD Card (up to 256GB) / FTP	
	Interoperability	ONVIF (Profile S / Profile G), GB/T28181, CGI	
Environmental	Power Supply	12VDC / PoE	
	Power Consumption	<9.2W (12VDC) / <12.9W (PoE)	
	Operating Conditions	-30°C to +45°C, ≤95% RH	
	Ingress Protection	IP67	
	Vandal Resistance	IK10	
	Housing	Metal + Plastic	
	Pan/Tilt/Rotation	N/A	
	Dimensions	Ø150mm x 60mm	
Net Weight	0.77kg		

Application			
			
	Junction Mount VSBKTA132-E	Ceiling Mount VSBKTA100 +VSBKTB300C	Wall Mount VSBKTB302S



People  
Counting



# Complete 360° AI coverage.

## Fisheye AI Series: 360° Fisheye IP Camera with AI people counting in 5.0MP

The Fisheye AI Series 360° dome performs the duties of multiple cameras, with the powerful benefit of AI-powered people counting and heat mapping functions. Receive real-time alerts when a certain number of people enter an area with AI people & area counting or set up heat map to observe the amount of time people spend in areas.

- Stream up to 5.0MP (2592 x 1944) at 25fps
- Circular fisheye lens with 360° viewing angle
- Dewarp modes\* for ceiling, floor & wall mounting
- Virtual PTZ, panorama, & camera split dewarp modes
- Up to 10m infrared range; true day/night (auto ICR)
- AI-enhanced people counting/tracking for real-time alerts, statistics and business analytics
- Heat map, queue management & regions of interest
- IVS functionality including tripwire, intrusion & more
- MicroSD card slot for edge recording up to 256GB




Record Beyond Double Full HD

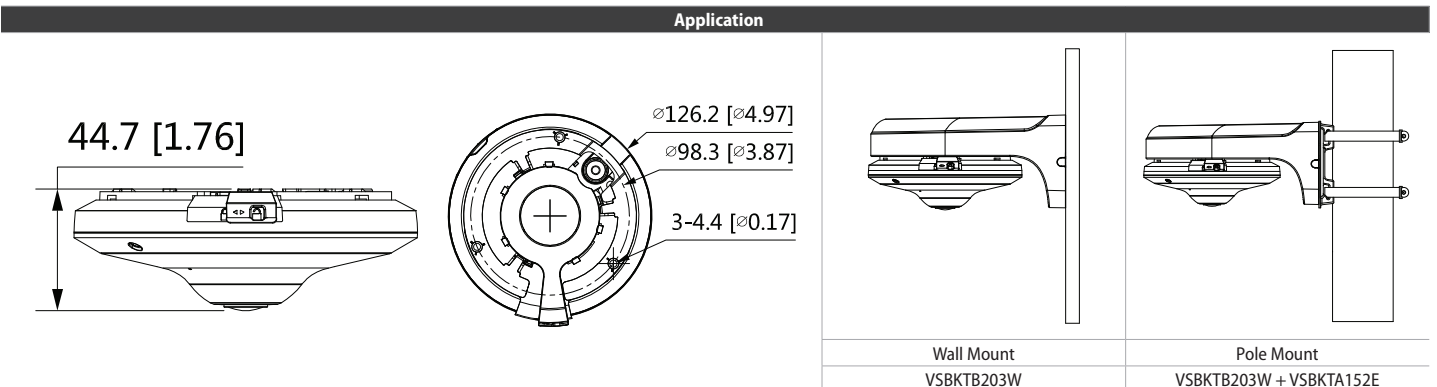


Fisheye Image Dewarp Modes



AI-Enhanced People Counting

Specifications		5.0MP 360° Fisheye with AI People Counting	
Model	Product Image		
	Ordering Information	<b>VSIPFE-SIR-I</b>	
Camera	Image Sensor	1/2.7" 5.0MP Progressive Scan CMOS	
	Effective Pixels	2592 (H) x 1944 (V)	
	RAM / ROM	512GB / 128GB	
	Min Illumination	0.006 Lux/F2.0	
	S/N Ratio	>56dB	
	Infrared System	3 x Infrared LED, 10m range	
Lens	Lens / Iris	1.4mm F2.0 Fixed Focal Lens with Fixed Iris	
	Field of View	Horizontal: 180°, Vertical: 180°	
	Focus	0.2m Min. Focus Distance	
	DORI	Detect (25px/m): 28m / Observe (63px/m): 11.2m / Recognise (125px/m): 5.6m / Identify (250px/m): 2.8m	
Video	Resolution	5.0MP (2592 x 1944) to CIF (352 x 288)	
	Frame Rate	Main	5.0MP (1 ~ 25fps)
		Sub	D1 (1 ~ 25fps)
		Third	720p (1 ~ 25fps)
	Video Compression	H.265+, H.265, H.264+, H.264, H.264H, H.264B, MJPEG	
	Bit Rate	H264: 3Kbps-8192Kbps; H265: 3Kbps-8192Kbps	
	Bit Rate Control	Constant bit rate (CBR) / Variable bit rate (VBR)	
	Day/Night	Auto (ICR) / Color / B&W	
	Lighting Compensation	BLC / HLC / WDR (120dB)	
	White Balance	Auto / Natural / Street Lamp / Outdoor / Manual / Regional Custom	
	Gain Control	Auto / Manual	
IVS	Noise Reduction	3D DNR	
	Dewarping Modes	Original (no dewarp) / Panoramic / Double Panoramic / Virtual PTZ / Original + 3 split, + 4 split, + 8 split	
	Intelligent Functions	Intrusion, Tripwire, Motion Detection (4 zones), Region of Interest (4 zones), Privacy Masking (4 zones) Smart Infrared, Heat Map	
	People Counting	Area People Counting (Number of people, People quantity thresholds, 4 zones), Heat Mapping (Number of people and time spent)	
Network	Ethernet	RJ-45 (10/100Base-T)	
	Protocol	IPv4; IPv6; HTTP; HTTPS; TCP; UDP; ARP; RTP; RTSP; RTCP; RTMP; SMTP; FTP; SFTP; DHCP; DNS; DDNS; QoS; UPnP; NTP; Multicast; ICMP; IGMP; NFS; PPPoE; 802.1x; SNMP	
	Streaming Method	Unicast / Multicast	
	Max. User Access	20 Users (Total bandwidth: 64M)	
Interface	Video Interface	N/A	
	Audio Interface	1 Channel Input (RCA), 1 Built-in Mic / 1 Channel Output / Audio Compression: PCM, G.711A, G.711Mu, G726, AAC	
	Alarm Interface	1 Channel Input (5mA 3VDC ~ 5VDC) / 1 Channel Output (300mA 12VDC)	
	RS485	N/A	
	Edge Storage	MicroSD Card (up to 256GB) / FTP / SFTP / NAS	
	Interoperability	ONVIF (Profile S / Profile G / Profile T), CGI, Milestone, Genetec, P2P	
Environmental	Power Supply	12VDC / PoE	
	Power Consumption	<3.6W (12VDC) / <4.4W (PoE) / <8.8W (Max.)	
	Operating Conditions	-10°C to +50°C, ≤95% RH	
	Ingress Protection	N/A	
	Vandal Resistance	N/A	
	Housing	Metal + Plastic	
	Pan/Tilt/Rotation	N/A	
	Dimensions	Ø126.2mm x 44.6mm	
Net Weight	0.3kg		





# Vehicle video evidence.

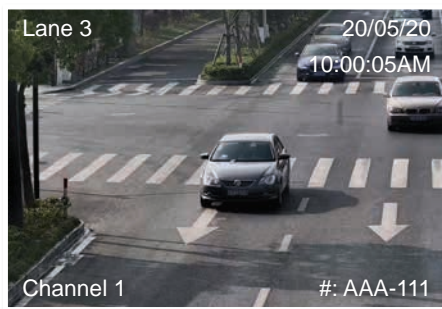
## AI Traffic Series: Motorised Lens 2.0MP bullet camera with AI-enhanced ANPR

Specially designed for number plate enhancement, Traffic AI Series number plate cameras are designed to obtain video evidence with vehicle identification in controlled environments with challenging lighting conditions. Enhanced with AI, this series has superior plate recognition compared to earlier ANPR models and additional smart features.

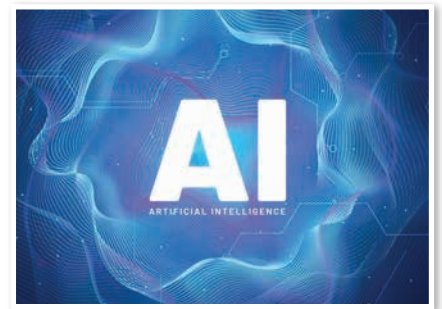
- Stream Full HD 1080p (1920 x 1080) at 25fps
- 2.7~13.5mm motorised lens (119 ~ 32°, DC auto iris)
- Automatic number-plate recognition (ANPR)
- AI-enhanced plate capture and vehicle detection
- Edge enhancement for number plate detail & legibility
- Supports shutter speed windowing; set min/max speed
- Highlight compensation removes headlight glare
- Capture number plates for vehicles going up to 40km
- Identify vehicle size, colour & direction with AI
- IP67 weather & vandal resistant metal housing




**Automatic Number Plate Recognition**



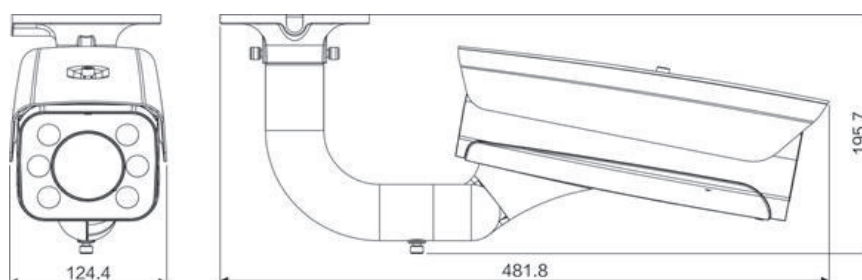
**Detailed OSD Configuration**



**Vehicle Data Structuring with AI**

Specifications		2.0MP Number Plate Bullet + AI Enhanced ANPR		
Model	Product Image			
	Ordering Information	<b>VSIPNP-2BIRM-I</b>		
Camera	Image Sensor	1/2.8" 2.0MP Progressive Scan CMOS		
	Effective Pixels	1920 (H) x 1080 (V)		
	RAM / ROM	N/A		
	Min Illumination	0.005 Lux/F1.3 (Color), 0 Lux/F1.3 (IR on)		
	S/N Ratio	N/A		
Lens	Infrared System	6 x Infrared LED, 12m range, Auto/manual on/off control		
	Lens / Iris	2.7 ~ 13.5mm F1.3 Motorised Varifocal Lens with Auto Iris		
	Field of View	Horizontal: 119°~32°, Vertical: 65°~18°		
Video	Focus	Auto Focus / 3 ~ 8m ANPR Focus Distance		
	Resolution	1080p (1920 x 1080) to D1 (704 x 576)		
	Frame Rate	Main	1080p (1 ~ 25fps)	
		Sub	D1 (1 ~ 25fps)	
		Third	N/A	
	Video Compression	H.265 / H.264M / H.264H / H.264B		
	Bit Rate	32 ~ 16384Kbps		
	Bit Rate Control	Constant bit rate (CBR) / Variable bit rate (VBR)		
	Day/Night	Auto (ICR) / Color / B&W		
	Lighting Compensation	BLC / HLC / WDR (120dB)		
White Balance	Auto / Manual			
Gain Control	Auto / Manual			
IVS	Noise Reduction	3D DNR		
	Picture Control	N/A		
	Intelligent Functions	Number Plate Edge Enhancement, Number Plate Recognition, Loop/Video Detection, Snapshot, OSD (Time, Location, Number Plate, Lane No.), White List (up to 10000), Barrier Control (1ch Relay Out), Vehicle Data Structuring (Vehicle Size, Vehicle Colour & Vehicle Direction)		
	Vehicle Size Detection	Support 11 Vehicle Sizes: Large Bus, Medium Bus, Heavy Truck, Medium Truck, Light Truck, Sedan, Minivan, SUV, MPV, Pick Up and Minicar		
Network	Vehicle Colour Detection	Supports 11 Vehicle Colours (Daytime Only): White, Black, Blue, Red, Yellow, Green, Pink, Purple, Grey, Brown, Orange, Silver		
	Ethernet Protocol	RJ-45 (100/1000 Base-T) IPv4; IPv6; HTTP; TCP/IP; UDP; NTP; DHCP; DNS		
	Streaming Method	Unicast / Multicast		
	Max. User Access	20 Users		
	Video Interface	N/A		
Interface	Audio Interface	1 Input / 1 Output		
	Alarm Interface	3 Input / 3 Output		
	RS485	Yes		
	Edge Storage	MicroSD Card Slot (up to 64GB) / Local PC		
Environmental	Interoperability	ONVIF / SDK / CGI		
	Power Supply	12VDC / PoE+ (802.3at)		
	Power Consumption	N/A		
	Operating Conditions	-30° ~ +65° C / Less than 95% RH		
	Ingress Protection	IP67		
	Vandal Resistance	N/A		
	Housing	N/A		
	Pan/Tilt/Rotation	N/A		
Dimensions	297 x 124 x 108mm (without bracket) / 482 x 124 x 196mm (with bracket)			
Net Weight	1.9kg (without bracket) / 3.3kg (with bracket)			

## Application





# The best in people counting.

## Specialist AI Series: Dual Lens 3.0MP camera with AI-enhanced people counting

This unique dual lens IP camera offers AI-powered people counting, capturing & detecting people in real time and gathering data for use in business analytics and statistics. The dual lens combined with AI technology allows the camera to reliably track human movement and count people in real time with increased precision and accuracy.

- Stream up to 3.0MP (2048 x1536) at 25fps
- Up to 10m infrared range; true day/night (auto ICR)
- People counting with AI & dual lens technology
- Accurately tracks the number of people in a region and/or the number of people who cross a line
- Combines dual lens images to capture 3D depth
- Back/highlight compensation & true WDR (120dB)
- 3D digital noise reduction & auto white balance
- Built-in microphone, efficient H.265+ compression
- IP67 weather rated housing for outdoor use



People Counting & Flow Control




Dual Lens Captures 3D Depth

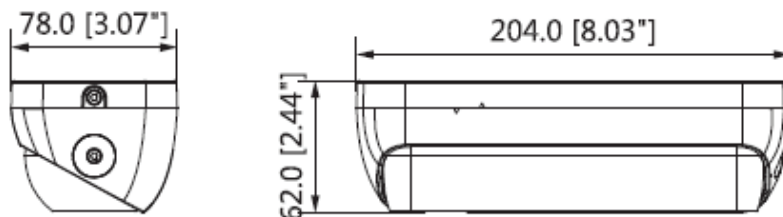


Track Entrance, Exit & Occupance



Specifications		3.0MP People Counting Dual Lens Camera	
<b>Model</b>	Product Image		
	Ordering Information	<b>VSIPDL-3IR</b>	
<b>Camera</b>	Image Sensor	2 x 1/2.8" 3.0MP Progressive Scan CMOS	
	Effective Pixels	2048 (H) x 1536 (V)	
	RAM / ROM	512MB / 4096MB	
	Min Illumination	0.009 Lux/F1.8 (Color 1/3s), 0.08 Lux/F1.8 (Color 1/30s), 0 Lux/F1.8 (IR on)	
	S/N Ratio	>50dB	
<b>Lens</b>	Infrared System	1 x Infrared LED, 10m range, Auto/manual on/off control	
	Lens / Iris	2.8mm F1.8 Fixed Focal Lens	
	Field of View	Horizontal: 106°, Vertical: 80°	
<b>DORI</b>	Focus	Fixed Focus / 0.6m Min. Focus Distance	
	Detect (25px/m)	45m	
	Observe (63px/m)	18m	
	Recognise (125px/m)	9m	
<b>Video</b>	Identify (250px/m)	4m	
	Resolution	3.0MP (2048 x 1536) to CIF (352 x 288)	
	Frame Rate	Main	3.0MP (1 ~ 25fps)
		Sub	D1 (1 ~ 25fps)
		Third	6.0MP (1 ~ 7fps, debugging only)
	Video Compression	H.265 / H.264 / H.265+ / H.264+ / MJPEG	
	Bit Rate	H.264: 192~1024Kbps, H.265: 80~6144Kbps	
	Bit Rate Control	Constant bit rate (CBR) / Variable bit rate (VBR)	
	Day/Night	Auto (ICR) / Color / B&W	
	Lighting Compensation	BLC / HLC / WDR (120dB)	
	White Balance	Auto / Natural / Street Lamp / Outdoor / Manual	
	Gain Control	Auto / Manual	
Noise Reduction	3D DNR		
<b>IVS</b>	Picture Control	N/A	
	Intelligent Functions	Motion Detection (4 zones), Region of Interest (4 zones), Privacy Masking (4 zones), Smart Infrared, Heat Map	
	People Counting	People Counting (Supports line crossing & region of interest, 98% accuracy), Height Filter, Loitering Filter	
	Ethernet	RJ-45 (100/1000 Base-T)	
<b>Network</b>	Protocol	HTTP; HTTPS; TCP; ARP; RTSP; RTP; UDP; RTCP; SMTP; FTP; DHCP; DNS; DDNS; PPPoE; IPv4/v6; QoS; UPnP; NTP; Bonjour; IEEE 802.1x; Multicast; ICMP; IGMP; SNMP; TLS	
	Streaming Method	Unicast / Multicast	
	Max. User Access	20 Users	
	Video Interface	1 Port (for adjustment only)	
<b>Interface</b>	Audio Interface	2 Channel inputs / 1 Channel Output / Built-in Mic / Audio Compression - G.711a; G.711Mu; G726; AAC	
	Alarm Interface	2 Channel Inputs (5mA 5VDC) / 2 Channels Output (300mA 12VDC)	
	RS485	N/A	
	Edge Storage	MicroSD Card (up to 128GB) / NAS / Local PC	
	Interoperability	ONVIF Profile S&G, API	
<b>Environmental</b>	Power Supply	12VDC / PoE+ (802.3at)	
	Power Consumption	<12W	
	Operating Conditions	-30° ~ +60° C / Less than 95% RH	
	Ingress Protection	IP67	
	Vandal Resistance	N/A	
	Housing	Metal	
	Pan/Tilt/Rotation	Tilt: -10° ~ 70°	
	Dimensions	204mm x 78mm x 62mm	
Net Weight	0.80kg		

### Application





## VIP Vision™ Smart PSS Desktop Surveillance Management Client

VIP Vision™ Smart PSS client for Windows and Macintosh OS X offers simple & free surveillance management for your desktop PC or laptop. This is the perfect CCTV management client to use with your home or business computer or laptop.

- Easily connect to the surveillance systems on the network and even setup local footage recording to your PC or laptop (optional).
- Live view up to 64 cameras at a time, take image snapshots, record footage, output to video wall, integrate alarm/audio and more.
- Make CCTV the ultimate business management tool: Monitor staff behaviour, identify inefficient processes, qualify complaints, confirm deliveries and prevent WHS incidents.



### Ease of Use

Swift, remote interaction with your CCTV surveillance. Group cameras, set up tours and pan-tilt-zoom, using and responsive drag and drop controls.



### Connect Quickly

Easily connect to all CCTV cameras and recorders on your network, with support for up to 256 devices and up to 2000 camera channels.



### Organise via eMap

The surveillance eMap overlay allows you to build a virtual map of your camera locations, enabling easy CCTV access & organisation, even in large premises.



### Fisheye Dewarp

Manipulate live view and stored footage of your VIP Vision Fisheye dome cameras using the Smart PSS client.



### Account Management

Comprehensive user account setup and control, with detailed permission settings, user role allocation, system logs and more.



## VIP Vision™ DMSS Mobile Surveillance Management Client

Monitor and act upon surveillance & intercom alerts all from your smartphone or tablet all with the VIP Vision™ DMSS application. Enjoy deep surveillance & intercom interaction, all from the convenience of your mobile device.

- Connect your mobile phone or tablet to your surveillance quickly with remote view setup via QR code, available with most VIP Vision NVRs.
- Take snapshots, record footage, playback NVR-stored footage, pan-tilt-zoom your cameras and more, all remotely via your smart device.
- Also configure your smartphone to act as a intercom monitor. Answer visitors, monitor the door station camera & even remote unlock your door from anywhere.



### Intuitive Touch Interface

Easily access your surveillance or intercom system using the intuitive touch menu system. Take snapshots, pan-tilt-zoom & more from your device.



### Easily Add Devices

Connect your mobile phone or tablet quickly via QR code. Simply connect your DVR to the Internet and scan the QR code via the app to get up and running.



### Respond Instantly

Receive and respond to push notifications of surveillance, alarm trigger and intercom events directly from your smart device.



### Remote Unlock

Always appear to be at your premises, even when you aren't - answer door visitors, video/audio chat, unlock doors or simply monitor from Flashview.



### Prevent Data Overages

Configure your device to connect to lesser-quality surveillance streams (sub or third stream) to consume less mobile data when remotely accessing surveillance.



# Complex systems simplified.

## SMC Series: System management centre with preloaded DSS Express

Built to handle large systems in a cost-effective manner, the NVR-SMC Series is a management centre preloaded with a GUI for your surveillance system and 512 preactivated video channels. Organise and manage IP surveillance, access control, video intercoms, AI functionality and much more in this scalable, all-in-one solution.

- Centralised CCTV, access control & intercom management
- Set different access rights hierarchies per user/group
- Manage building access w/ RFID tag & fingerprint scan
- Event & alarm logging, searching, timestamp & overlay
- Create impressive live video walls displays
- Intelligent functions + ANPR, AI & face recognition
- PTZ control/tour, fisheye dewarp, audio, alarm, etc.
- Manual and automatic system backup/restore
- Built-in 1TB HDD - supports 3x 2.5" HDDs for storage
- High reliability with hot standby & hot swapping



Large Scale Surveillance Management



Powerful User Management



Visualise System with Emap

SMC Series | Series Features



# All-in-one systems.

IP surveillance, intercoms and access control.

The SMC Series is compatible with VIP Vision™ IP surveillance, IP intercom systems & access control, and seamlessly integrating the entire electronic security system into one easy-to-use management centre.

- **IP Surveillance:** With PTZ, Fisheye and ANPR support
- **Intercoms:** Residential, Multi-Tenant & Apartment Series
- **Access Control:** Access Controllers & Readers

# Total management.

Become the ultimate manager and see everything.

The powerful management centre allows an administrator to effectively watch over the whole company from one centralised location.

- **Emaps:** Visualise entire system with main & sub maps
- **Video Walls:** With split screen & screen combining
- **Auditing:** View access logs with video snapshots, playback footage and visitor/appointment registration




# Shared access.

Grant limited surveillance access to employees.

Access to the DSS Express surveillance system can be granted across your network, with customisable permissions for multiple user hierarchies.

- **User Permissions:** Share specified camera access to staff to increase communication & productivity.
- **Access Permissions:** Set up access control with RFID tags, keypad passwords or fingerprints

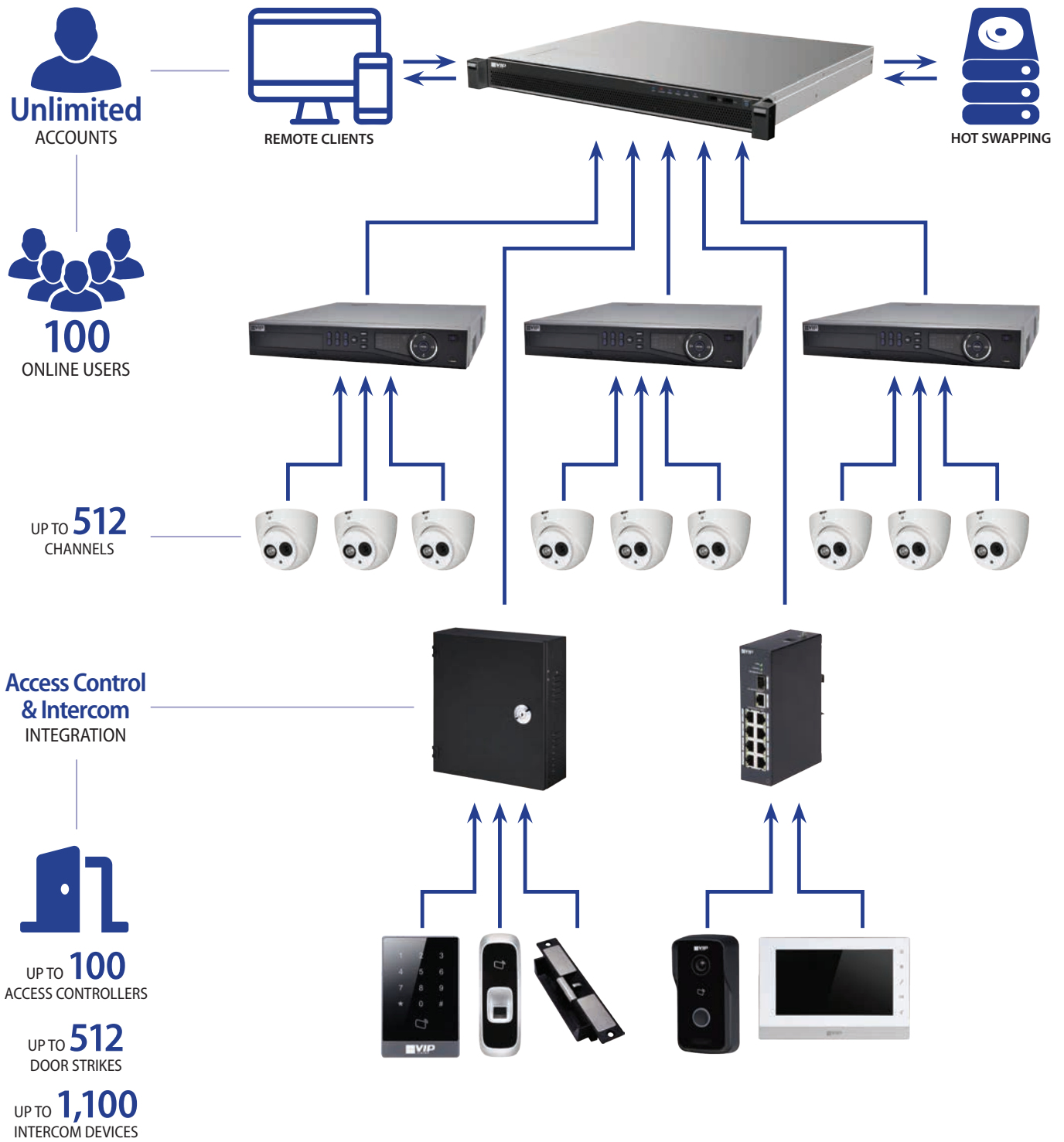
## System Management Centre | NVR-SMC Series Specifications

Model		NVR-SMC1
Series	Product Image	
	Series Name	NVR-SMC Series Surveillance Management Centre
Specifications	Main Processor	64 bit 4 core CPU (CORE-I3-6100)
	Operating System	Linux
	Power	Supports hot swap
	Memory	8GB(1×8GB)
	Chassis	1.0mm SGCC steel plate
Interface	Network Port	4 Ethernet Ports (10/100/1000Mbps)
	RS232	Reserved
	RS485	Reserved
	USB Port	Front panel: 2 × USB 3.0, Rear panel: 2 × USB 3.0 onboard panel:1 × USB 2.0
	HDMI	2 HDMI, one as network config, another as spare
	VGA	1 VGA, as network config
	HDD Installation	Built-in 1× 1T HDD disk (2.5") for system Support 3HDD disks (2.5") for Video & Picture storage
Environment	Power	100V ~ 240V, 47 ~ 63Hz
	Consumption	70W ~ 120W (with HDD)
	Operating Environment	0°C~45°C / 5%~90% RH
	Storage Environment	-20°C~70°C / 5%~90% RH
	Weight (Without Package)	6.0kg
	Dimension	440 x 398 x 44mm (1U)
	Installation Method	Standard 19" rack installation

## Video Management | NVR-SMC Series Specifications

Video Management	Management Type	Limit (Total / Rate)
Client	PC Client	700
	DSS Mobile 2	100
	DSS Mobile for VDP	5000
Organisation & Users	Organisation	10 hierarchies, 999 organisations per hierarchy
	Unit Group	3 Levels
	Online	100 online users and unlimited users
Devices (Single Point Performance)	Video	512 Channels
	ONVIF	64 IP, 64 Channels
	Access Control	100 IP, 512 Doors
	Video Intercom Devices	1100 (Door Station limit: 100)
	Facial Recognition Channels	32
	ANPR Camera	32
	Alarm Host	64
	POS Channels	32
Time Attendance	64	
Media Transmission Server	Video Input per Server	350Mbps
	Video Output per Server	350Mbps
Record	Playback Bandwidth per Server (With Recording)	150Mbps
	Video Storage Bandwidth per Server	150Mbps
	Maximum Capacity per Storage Server	200TB
	Download Task	Up to 5 per Client
Event	Event Reception (w/o Picture)	80 per Second
	Event Reception (w/ Picture)	5 per Second
Emap	Hierarchy of Raster Map	8 Hierarchies
	Photos of Raster Map	Up to 64 Photos
	Map Size of Raster Map	Up to 14.7MB
Personnel Management	Channel Number	Up to 200
	Persons	30,000
	Cards	30,000
	Fingerprints	90,000

# SMC Series | System Map





# Oversee entire operations.

## NVD-A Series: Ultra HD network video decoders with 4/9 video outputs

The NVD-A Series of IP video decoders allows for configuration of up to 9 HDMI displays, creating video walls that display live footage from any camera or recorder connected to the network, plus any connected HDMI video inputs. Each decoder can be fully configured and adjusted over the network or with SmartPSS.

- Roaming decoder displays all video feeds on network
- Video wall splicing for up to 36 displays per monitor
- Split screen control with zoom/merge/roam/overlay
- Switch between standard & high definition streams
- Decode up to 12CH 4K, 48CH 1080p or 144CH D1
- Support for audio, alarm, bi-directional talk, RS232, RS485, fisheye dewarp & multi-video split display
- Manage via web browser or VIP Vision™ SmartPSS



Decode up to 48 Channels in 1080p


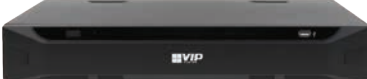




Powerful User Management



Decode up to 144 Display Devices



Model	NVD-A4	NVD-A9	
System			
			
	Internal Processor		
Processor	Internal Processor		
Operating System	Embedded Linux		
Performance	Video Format	H.265+ / H.265 / H.264 / MJPEG / MPEG4	H.265+ / H.265 / H.264 / MJPEG / MPEG4 / MPEG2
	Audio Format	PCM / G.711A	PCM / G.711 / AAC
	Video Decoding Capacity (Separate)	Port 1 & 2: 1CH@8K / 4CH@4K / 18CH@1080p / 40CH@720p / 72CH@D1 Port 3 & 4: 1CH@8K / 4CH@4K / 18CH@1080p / 40CH@720p / 72CH@D1	Port 1, 2 & 3: 3CH@12MP / 4CH@4K / 16CH@1080p / 36CH@720p / 48CH@D1 Port 4, 5 & 6: 3CH@12MP / 4CH@4K / 16CH@1080p / 36CH@720p / 48CH@D1 Port 7, 8 & 9: 3CH@12MP / 4CH@4K / 16CH@1080p / 36CH@720p / 48CH@D1
	Video Decoding Capacity (Total)	2CH@8K / 8CH@4K / 36CH@1080p / 80CH@720p / 144CH@D1	9CH@12MP / 12CH@4K / 48CH@1080p / 108CH@720p / 144CH@D1
	Decoding Resolution	32MP / 12MP / 8MP / 6MP / 5MP / 3MP / 1080p / 720p / 960H / D1 / HD1 / 2CIF / CIF / QCIF	12MP / 8MP / 6MP / 5MP / 4MP / 3MP / 1080p / 720p / 960H / D1 / HD1 / 2CIF / CIF / QCIF
	Video Frame Rate	PAL: 1~25fps / NTSC: 1~30fps	
	Video Input	2 x HDMI 1.4	2 x HDMI, 2 x DVI-I
	Video Output	4 x HDMI (2 x HDMI 2.0, 2 x HDMI 1.4), 2 x BNC	9 x HDMI
	Collection Resolution	4096 x 2160 @ 24fps / 3840 x 2160 @ 30fps / 1920 x 1080 and lower @ 60fps	
	Display Resolution	Odd interfaces: 3840 x 2160 / 1920 x 1080 / 1280 x 1024 / 1280 x 720 / 1024 x 768 Even interfaces: 1920 x 1080 / 1280 x 1024 / 1280 x 720 / 1024 x 768	3840 x 2160 / 2560 x 1600 / 1920 x 1080 / 1280 x 1024 / 1280 x 720 / 1024 x 768 (6 ports support 3840 x 2160, 3 ports support 2560 x 1600)
	Display Split	1 / 4 / 6 / 8 / 9 / 16 / 25 / 36	1 / 4 / 9 / 16
	Bi-directional Talk	1 Pair 3.5mm jack (2.0V Line in / 50mV Mic in / 10KΩ, 2.0V / 16Ω out)	
	Alarm Input	8ch	4ch
	Alarm Output	8ch relay out (30VDC 1A, 125VAC, 0.5A)	4ch relay out (30VDC 1A, 125VAC, 0.5A)
Communication Interface	1 RJ45 network port (10M/100M/1000M); 2 RS232; 1 RS485		
Environment	Power Supply	12VDC 5A	100 ~ 240VAC, 50Hz-60Hz
	Power Consumption	≤40W	≤70W
	Operating Temperature	-10°C~+55°C, 10%~95%RH (86Kpa ~ 106Kpa)	
	Dimensions	440 x 322 x 44mm (1U)	440 x 408 x 70mm (1U)
	Weight	3.23kg	4.83kg
Application			
			

## Additional Accessories



### High Fidelity Surveillance Microphone

**Model: VSAMICA2 (Plastic) / VSAMICB (Aluminium)**

Add high quality audio to any surveillance installation. Enables audio recording and features adjustable sensitivity, DNR & AGC.

- 85db/80dB signal noise reduction for low background noise
- Effective range up to 150m<sup>2</sup>
- Adjustable sensitivity; audio gain control
- Cascading support for multiple audio outputs
- Ideal for ceiling & wall mounting; for indoor use only

### Network PTZ Control Keyboard

**Model: VSIPPTZKBV2**

VIP Vision PTZ keyboards can access, configure and control networked IP surveillance systems.

- Control a variety of PTZ cameras and DVRs
- LCD with user menu & operation control
- RS485, RS422, USB, RS232 & RJ45 connections
- Three dimensional joystick control of PTZ functions
- Preset, auto scan, auto pan, auto tour and pattern

# Feature Glossary

Common terminology for VIP Vision™ CCTV surveillance cameras, network video recorders and their features.

## Auto-Tracking

Auto-tracking allows the tracking action to be triggered manually or automatically by defined rules. Once rules are triggered, the camera can zoom in and track the defined target automatically.

## Back Light Compensation

This is a feature of security cameras that automatically adjusts the image to compensate for bright light to give more detail on the darker areas of the image. For example, it is used to focus on the detail of a face of a person that has sunlight shining from behind.

## Corridor Mode/Image flip

Capturing unnecessary data such as surrounding hallway walls can increase storage requirements without any added value. The image flip feature allows the camera's image to be rotated in 90° increments for better video optimization.

## Digital Noise Reduction (2D/3D DNR)

2D/3D DNR incorporates frame-to-frame noise reduction with spatial noise reduction to produce clear video images with less noise, in low light conditions. Noise reduction is critical for video because noise affects image quality. Cameras with 2D + 3D DNR produce sharper, more accurate video images with less ghosting.

## Face Detection

Detects and stores snapshots of human faces. Select playback by Face Detection to scroll through a list of captured faces with timestamps, cutting down time on searching playback.

## Fisheye Dewarping

Dewarping 360° fisheye images for usable surveillance images. Display of multiple views simultaneously taken from a single 360° camera and manipulate playback footage with virtual PTZ mode and a variety of ceiling, floor and wall mount dewarp options.

## H.265

H.265 high efficiency video coding provides a saving of up to 50% of bandwidth and storage compared with H.264. This technology can help customers to reduce the cost of the project and improve the transmission efficiency.

## Heat Map

Records crowd density statistics via motion detection within a set time range, displaying in different colours. Crowd density ranges from high to low, with red representing high density and blue low density.

## Interoperability (ONVIF)

ONVIF (Open Network Video Interface Forum) specifications ensure interoperability between network video products regardless of manufacturer.

## Intrusion Detection

Alarm, record or snapshot will be triggered when the target is entering or leaving the defined area.

## Object Abandoned / Missing

Alarm, record or snapshot will be triggered, when the target is abandoned/removed in the designated area and exceeds the set time.

## People Counting

Produces statistics of people entering and leaving the specific area of the image. Produces different types of data reports: select daily, monthly or yearly reports; then export data for analysis.

## Regions of interest

Regions of Interest (ROI) is a user defined feature that allows the operator to monitor specific areas of a scene while still maintaining overall situational awareness of less important areas, eg: fix a region of interest on a vehicle number plate in a driveway scene.

## Scene Change Detection

Alarm, record or snapshot will be triggered when the video scene is changed due to external factors such as turning the camera angle manually or covering over the lens.

## Smart Infrared

Cameras with Smart Infrared technology adjust their infrared LED intensity to compensate for the distance of an object to prevent over exposure. This reduces cases of washed out of images due to the intensity of camera infrared.

## Tripwire Detection

Alarm, record or snapshot will be triggered when the target passes through the warning line according to the movement direction set. Different direction selections, such as A->B, B->A and bi-directional.

## True Day/Night

This feature consists of a automatic mechanical IR cut filter that is removed when making the camera ideal for applications with fluctuating lighting conditions, delivering color images during the day and automatically switching to monochrome as the scene darkens.

## Ultra Low Light Technology

We use the latest image processing algorithm, high performance hardware and high quality optical components, allowing the camera to deliver clear, bright and low-noise color images in extremely low light conditions.

## Wide Dynamic Range

Embedded with industry leading wide dynamic range (WDR) technology, vivid pictures are achieved even in the most intense contrast lighting conditions. For applications with both bright and low lighting conditions that change quickly, True WDR (120dB) optimizes both the bright and dark areas of a scene at the same time to provide usable video.



## Stay connected with all that you love.™

Achieve more than security with VIP Vision and the DMSS smartphone app. Receive instant surveillance alerts, live view your cameras, playback footage, take snapshots and even remotely unlock your intercom-connected door lock. Do this and more from anywhere with your VIP Vision IP system.





Crucial evidence. Always.™

Contact your local VIP Vision network surveillance professional:



[www.vip-vision.com](http://www.vip-vision.com)

# PROFESSIONAL IP SOLUTIONS | PRODUCT REFERENCE GUIDE 2021

IP CCTV SURVEILLANCE | ADVANCED PROCEDURAL CRIMINAL JUSTICE | ADVANCED IP INVESTIGATION | ADVANCED IP FORENSICS | ADVANCED IP MONITORING | ADVANCED IP PROTECTION | ADVANCED IP RECOVERY | ADVANCED IP SECURITY | ADVANCED IP TRAINING | ADVANCED IP SUPPORT

ADVANCED IP SOLUTIONS | ADVANCED IP SERVICES | ADVANCED IP PRODUCTS | ADVANCED IP PARTNERS | ADVANCED IP CONTACT

ADVANCED IP SOLUTIONS | ADVANCED IP SERVICES | ADVANCED IP PRODUCTS | ADVANCED IP PARTNERS | ADVANCED IP CONTACT

ADVANCED IP SOLUTIONS | ADVANCED IP SERVICES | ADVANCED IP PRODUCTS | ADVANCED IP PARTNERS | ADVANCED IP CONTACT

ADVANCED IP SOLUTIONS | ADVANCED IP SERVICES | ADVANCED IP PRODUCTS | ADVANCED IP PARTNERS | ADVANCED IP CONTACT

ADVANCED IP SOLUTIONS | ADVANCED IP SERVICES | ADVANCED IP PRODUCTS | ADVANCED IP PARTNERS | ADVANCED IP CONTACT

ADVANCED IP SOLUTIONS | ADVANCED IP SERVICES | ADVANCED IP PRODUCTS | ADVANCED IP PARTNERS | ADVANCED IP CONTACT

ADVANCED IP SOLUTIONS | ADVANCED IP SERVICES | ADVANCED IP PRODUCTS | ADVANCED IP PARTNERS | ADVANCED IP CONTACT

ADVANCED IP SOLUTIONS | ADVANCED IP SERVICES | ADVANCED IP PRODUCTS | ADVANCED IP PARTNERS | ADVANCED IP CONTACT

ADVANCED IP SOLUTIONS | ADVANCED IP SERVICES | ADVANCED IP PRODUCTS | ADVANCED IP PARTNERS | ADVANCED IP CONTACT

ADVANCED IP SOLUTIONS | ADVANCED IP SERVICES | ADVANCED IP PRODUCTS | ADVANCED IP PARTNERS | ADVANCED IP CONTACT

ADVANCED IP SOLUTIONS | ADVANCED IP SERVICES | ADVANCED IP PRODUCTS | ADVANCED IP PARTNERS | ADVANCED IP CONTACT

ADVANCED IP SOLUTIONS | ADVANCED IP SERVICES | ADVANCED IP PRODUCTS | ADVANCED IP PARTNERS | ADVANCED IP CONTACT

ADVANCED IP SOLUTIONS | ADVANCED IP SERVICES | ADVANCED IP PRODUCTS | ADVANCED IP PARTNERS | ADVANCED IP CONTACT

ADVANCED IP SOLUTIONS | ADVANCED IP SERVICES | ADVANCED IP PRODUCTS | ADVANCED IP PARTNERS | ADVANCED IP CONTACT

ADVANCED IP SOLUTIONS | ADVANCED IP SERVICES | ADVANCED IP PRODUCTS | ADVANCED IP PARTNERS | ADVANCED IP CONTACT

ADVANCED IP SOLUTIONS | ADVANCED IP SERVICES | ADVANCED IP PRODUCTS | ADVANCED IP PARTNERS | ADVANCED IP CONTACT

ADVANCED IP SOLUTIONS | ADVANCED IP SERVICES | ADVANCED IP PRODUCTS | ADVANCED IP PARTNERS | ADVANCED IP CONTACT

ADVANCED IP SOLUTIONS | ADVANCED IP SERVICES | ADVANCED IP PRODUCTS | ADVANCED IP PARTNERS | ADVANCED IP CONTACT