



Modern access solutions.

Residential 2-Wire Series: Touchscreen 2-wire intercom monitor

The Residential 2-Wire Series touchscreen indoor monitor is the perfect upgrade solution to your old intercom. Upgrade and experience a multitude of modern intercom features, all using your existing two-wire infrastructure.

- Slim 7" touchscreen indoor intercom monitor
- Connect to door stations and monitors via 2-wire
- MicroSD card slot (up to 32GB) for edge recording
- Integrates with most electronic sensors & alarms
- Dual-way bidirectional talk with built in microphone
- Receive visitor notifications, leave audio & video messages, remote view, remote unlock and 2-way talk via iOS & Android devices



7" Slimline Touchscreen Monitor




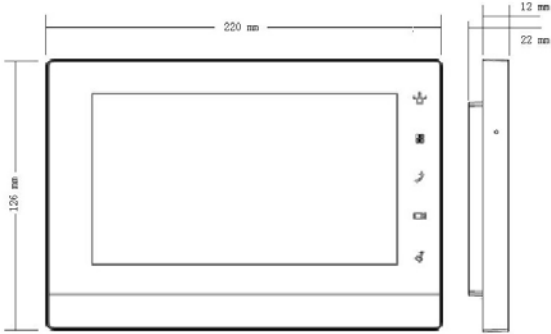
2W

Upgrade Existing 2-Wire Systems

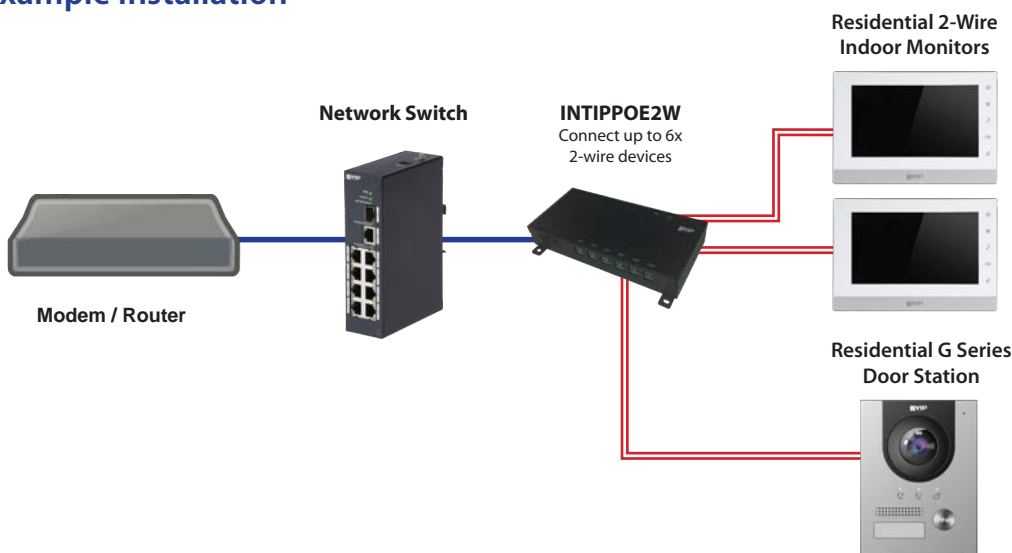


Two-way Talk & Remote Unlock

Residential 2-Wire Indoor Monitor | Series Specifications

Model		INTIPMON2W
Monitor	Product Image	
	Main Processor / OS	Embedded Microprocessor / Embedded Linux OS
	Display Size	7" Colour TFT LCD (800 x 800) Capacitive Touchscreen
	Video Compression	H.264
	Alarm Support	6 Input / 1 Output / 1 x RS485
	Internal Capacity	MicroSD Slot, up to 32GB
	Ethernet / Network	1 x RJ45, 10/100Mbps Self-adaptive
Audio	Audio / 2-Way Talk	Omni-Directional Microphone / Built-in Loudspeaker
	Bidirectional Talk	Support
	Audio Enhancement	N/A
	Audio Compression	G.711
General	Installation	Surface Mount
	Material	PC + ABS Plastic
	Operating Temperature	-10 ~ +55°C / 10 ~ 90%RH (max.)
	Power Input	Requires INTIPPOE2W
	Power Consumption	Operation <7W
Weight / Dimensions	0.80kg / 200 x 136 x 22mm	
Installation	Product Dimensions	

Example Installation



Legend

- 2-Wire
- Ethernet



Model: INTIPPOE2W
Facilitates network/power connectivity to 6 x 2-wire intercom devices, providing 24VDC power with a maximum power load of 80W. The unit has a metal body with screws for surface mounting.

Your local VIP Vision™ IP solutions professional: