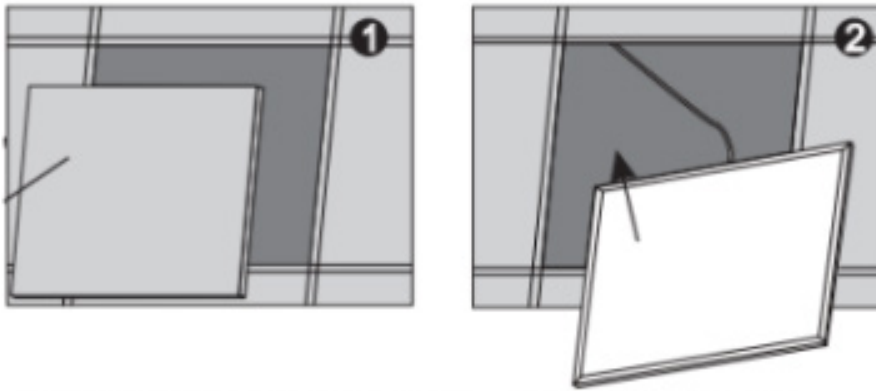
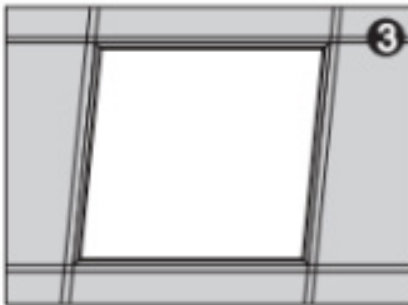


■ CEILING RECESSED

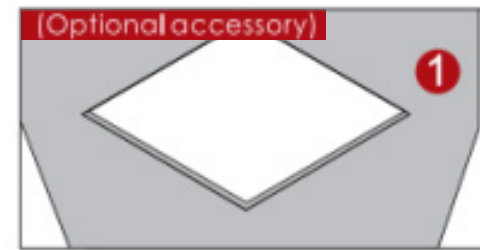


1. Remove the plasterboard from the ceiling. 2. Fix the panel into ceiling.



3. Installation finished.

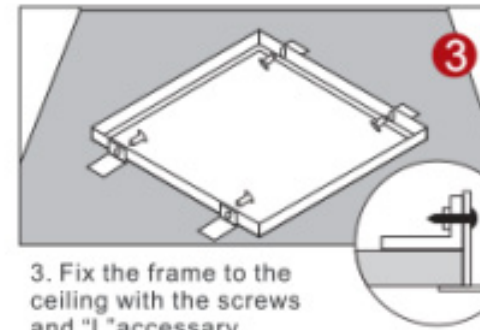
■ CEILING RECESSED FRAME



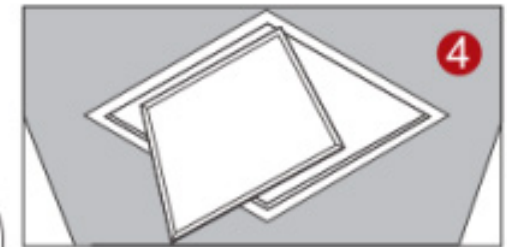
1. Open a hole on the ceiling



2. Fix the frame to the hole

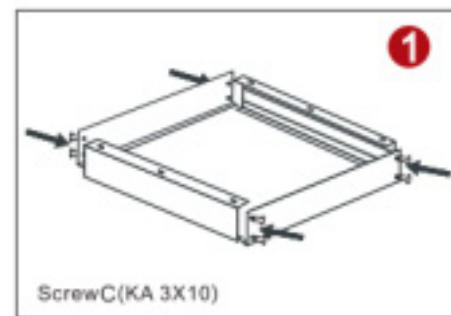
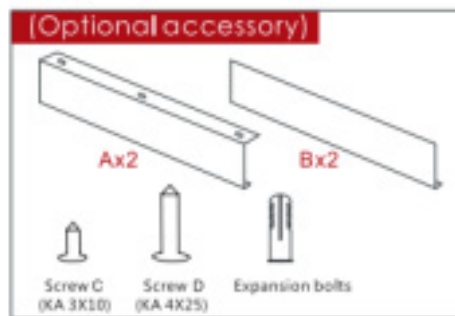


3. Fix the frame to the ceiling with the screws and "L" accessory

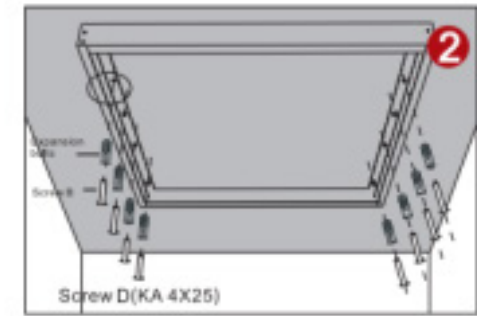


4. Put the panel into the frame

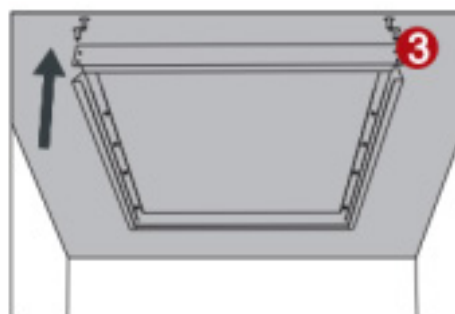
■ Surface Mounted Frame



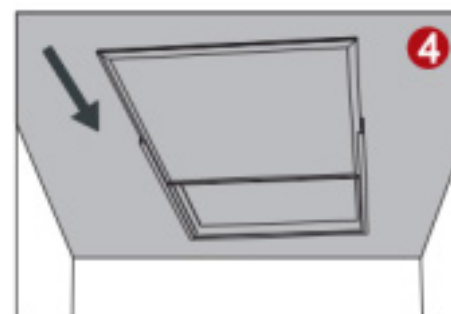
1. Assemble the four frames with Screw C to a whole square.



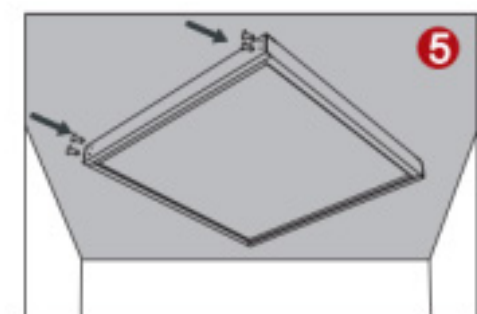
2. Fix the square frames to the ceiling with Screw D.



3. Demount one frame



4. Put the panel into the frame square.



5. Fix the last frame with screw C.