

# 1.0 Megapixel 20m Infrared HDCVI Dome Camera

Model: VSCVI1MPVDIR



Specifications		
General	Camera Style	Vandal Resistant Dome
	Image Sensor	1/3" 1.4 Megapixel CMOS
	Effective Pixels	1305 (H) x 1049 (V)
	Signal Noise Ratio	> 50dB
Camera	Lens	3.6mm Fixed Lens
	Angle of View	70°
	Electronic Shutter	1/3 ~ 1/100,000s
	Minimum Illumination	0.01 Lux at F1.2 (Colour) / 0 Lux IR Active
	Day/Night	Auto (ICR) / Colour / B&W
	White Balance	Auto
	Noise Reduction	2D / 3D
	Gain Control	Auto
	Backlight Compensation	BLC / HLC / DWDR
	Audio Input	N/A
	Audio Compression	N/A
	Transmission Distance	Over 500m via 75-3 coaxial cable
	Synchronisation	Internal
	OSD Menu	Support
Alarm Interface	N/A	
Video	Video Compression	H.264 / MJPEG
	Resolution	720p (1280x720) / D1 (704x576)
	Frame Rate	720p (25fps)
	Video Output	BNC CVI HD output / CVBS SD output (switchable)
Environment	Ingress Protection	IP66
	Vandal Resistant	IK10
	Maximum Infrared Range	20m
	Power Input	DC12V±10%
	Power Consumption	< 4.0W
	Dimensions	Ø110 x 81mm
	Weight	0.30kg
Operating Environment	-30° to 60°C / RH95% (max)	



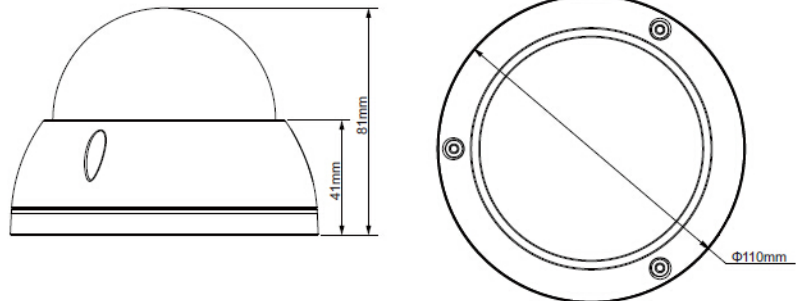
## Product Overview

The Securview Victory Series VSCVI2MPVDIR is a 1.4 megapixel, fixed lens, infrared dome camera and is capable of providing 720p High Definition footage over coaxial cable.

It uses the HDCVI video transmission standard which enables HD video transmission distance up to 500m (720p using 75-3 coax) with low latency and low interference.

The camera's IK10 vandal resistance and IP66 rating make it a perfect surveillance solution across a wide range of CCTV applications.

This camera is only compatible with digital video recorders in the Securview Victory Series.



Your Securview Victory Series dealer: