

# Adapter/Junction Box for Surveillance Cameras

Model: VSBKTA121

## Technical Specifications

Aluminium adapter/junction box used as a spacer or as connector for corner & pole mounts.

<b>Model</b>	<b>VSBKTA121</b>
<b>Materials</b>	Aluminum
<b>Dimensions</b>	134 x 134 x 55mm
<b>Pipe Thread</b>	M20 (G1/2")
<b>Operating Conditions</b>	-40° ~ 60°C / 90% RH (max)
<b>Load Bearing Capacity</b>	3.00kg
<b>Weather Resistance</b>	IP66 rated
<b>Weight</b>	0.50kg

Product specifications and bracket compatibility are subject to change.



## Bracket Compatibility

This bracket is compatible with the following cameras from VIP Vision and/or Securview Victory Series.



### VIP Vision™ IP Surveillance Cameras

As junction box or as adapter for ceiling & pole mount brackets.

Compatible models: VSIP3MPFBMINIIRV2, VSIP1MPFBIRV3

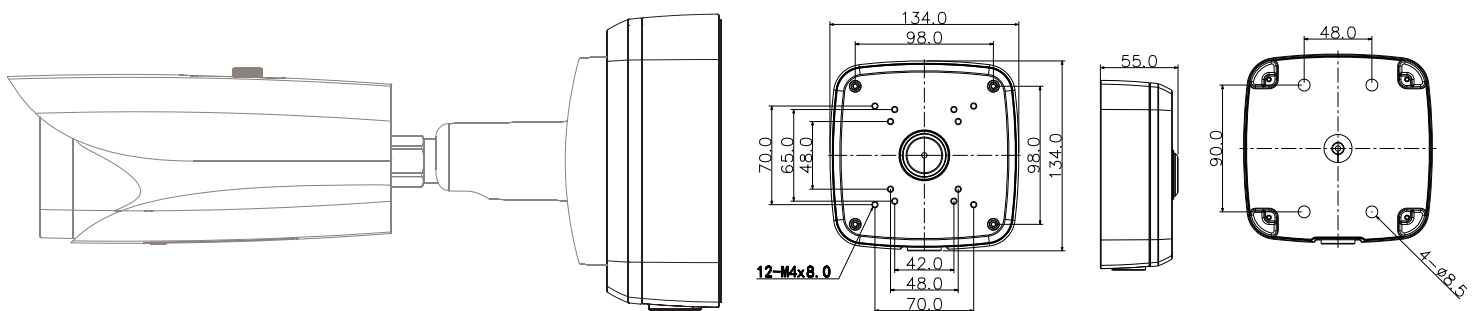


### Securview Victory Series™ HD Over Coax Cameras

As junction box or as adapter for ceiling & pole mount brackets.

Compatible models: VSCV2MPFBIRM30M

## Product Diagrams



Your professional CCTV surveillance dealer: