

Right Angle Wall Mount Bracket

Model: VSBKTB710W

Technical Specifications

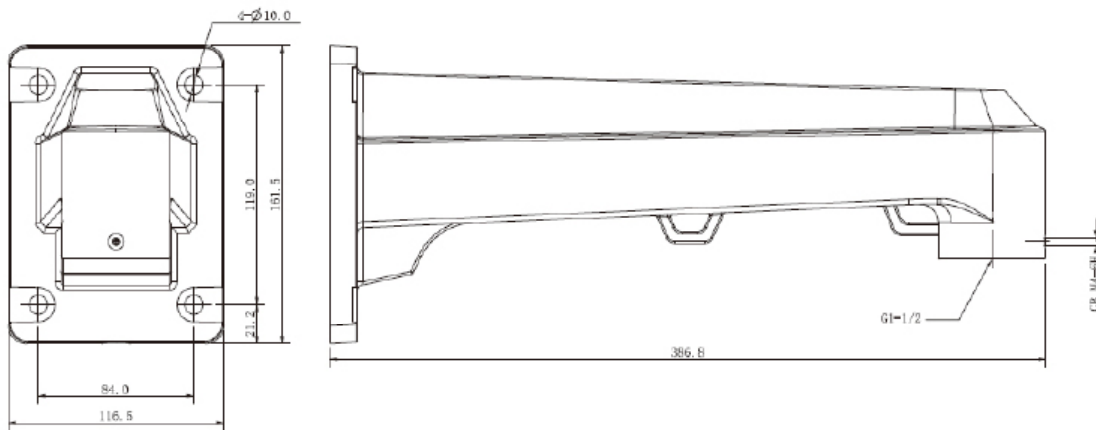
White stainless steel right angle wall mount bracket.

Model	VSBKTB710W
Materials	Stainless Steel
Dimensions	386.8 x 161.5 x 116.52mm
Pipe Thread	N/A
Operating Conditions	-40° ~ 60°C / 90% RH (max)
Load Bearing Capacity	30kg
Weather Resistance	N/a
Weight	3.3kg



Product specifications and bracket compatibility are subject to change.

Product Diagrams



Bracket Compatibility



VSIP2MPPTZIRK



Your professional CCTV surveillance dealer: