

CONNECTED
switch gear®
We will turn you on®

MECHANISMS



TRUSTED

5
YEAR
WARRANTY
IN HOUSE

Data Specification 2018
1300 071 378

Description

Connected Switchgear offers a variety of mechanisms to complement our range of power outlets and wall switches - AC, printed, data, phone, audio and HDMI to name a few. All mechanisms are interchangeable across all Connected Switchgear wall switches and socket outlets.

Features

- Polycarbonate Material
- Brass Terminal Screws
- Silver/Nickel Switch Contacts
- CAT3 mechanisms available in tooless and punch down for easy installation
- AC Mechanisms available in 10AX, 16AX, 25AX and 32AX fluorescent loads
- Available in black and white
- Interchangeable with all Connected Switchgear plates*
- Trusted 5 Year In House Warranty

Available in Black and White

Polycarbonate Material



Brass Terminal Screws

Silver/Nickel
Switch Contacts

Approvals

SAA

Technical Parameters

- Rated Voltage: 250V ac
- Rated Frequency: 50/60Hz
- Complies with Standard AS/NZS3133

*This excludes 32A Printed Mechanisms. These are not compatible with the BASIX Series plates

AC and Indicator Mechanisms			
Product Code	Rating (Amps)	Type	Colour
M2W10F	10AX	10amp 250V ac 1 way/2 way	WHITE
M2W16F	16AX	16amp 250V ac 1 way/2 way	WHITE
M2W32F	32AX	32amp 250V ac Single Throw	WHITE
M10DP	10AX	10amp 250V ac Mechanism Double Pole	WHITE
M20DP	20AX	20amp 250V ac Mechanism Double Pole	WHITE
M32DP	32AX	32amp 250V ac Mechanism Double Pole	WHITE
M10INT	10AX	10amp 250V ac Intermediate Mechanism	WHITE
M16BP	16AX	16amp 250V ac Bell Press Mechanism	WHITE
M25S	25AX	25amp 250V ac Split Mechanism	WHITE
M163P	16AX	16amp 250V ac 3 Position Rotary Mechanism	WHITE
M163P-K	-	16amp 250V ac 3 Position Rotary Mechanism DOLLY ONLY	WHITE
MNR	240V AC	10amp 250V ac Neon Indicator	RED
MNG	240V AC	10amp 250V ac Neon Indicator	GREEN
M2W10FB	10AX	10amp 250V ac 1 way/2 way	BLACK
M2W16FB	16AX	16amp 250V ac 1 way/2 way	BLACK
M2W32FB	32AX	32amp 250V ac 1 way/2 way	BLACK
M10DPB	10AX	10amp 250V ac Mechanism Double Pole	BLACK
M20DPB	20AX	20amp 250V ac Mechanism Double Pole	BLACK
M32DPB	32AX	32amp 250V ac Mechanism Double Pole	BLACK
M10INTB	10AX	10amp 250V ac Intermediate Mechanism	BLACK
M16BPB	16AX	16amp 250V ac Bell Press Mechanism	BLACK
M25SB	25AX	25amp 250V ac Split Mechanism	BLACK
M163PB	16AX	16amp 250V ac 3 Position Rotary Mechanism	BLACK
M163P-KB	16AX	16amp 250V ac 3 Position Rotary Mechanism DOLLY ONLY	BLACK

Audio Mechanisms		
Product Code	Type	Colour
MHDMI	HDMI MEchanism with Nickel Plating	WHITE
MHDMIB	HDMI MEchanism with Nickel Plating	BLACK
MRCARR	RCA Recessed Mechanism Red ID	WHITE/RED ID
MRCARRB	RCA Recessed Mechanism Red ID	BLACK/RED ID
MRCARW	RCA Recessed Mechanism White ID	WHITE/WHITE ID
MRCARWB	RCA Recessed Mechanism White ID	BLACK/WHITE ID
MRCARY	RCA Recessed Mechanism Yellow ID	WHITE/YELLOW ID
MRCARB	RCA Recessed Mechanism Yellow ID	BLACK/YELLOW ID
MRCASPB	Audio Speaker Mechanism Black ID	WHITE/BLACK ID
MRCASPBB	Audio Speaker Mechanism Black ID	BLACK/BLACK ID
MRCASPR	Audio Speaker Mechanism Red ID	WHITE/RED ID
MRCASPRB	Audio Speaker Mechanism Red ID	BLACK/RED ID

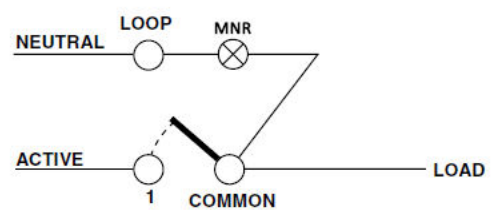
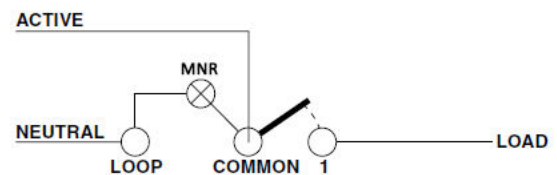
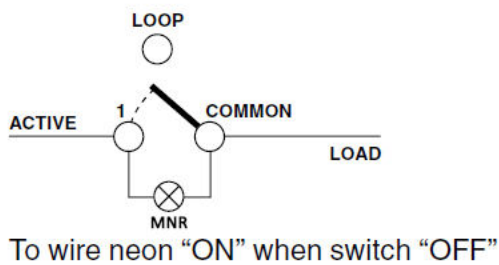
Printed Mechanisms			
Product Code	Rating (Amps)	Type	Colour
M2W10F-Z1	10AX	10amp 250V ac 1 way/ 2 way "Zone 1"	WHITE
M2W10F-Z2	10AX	10amp 250V ac 1 way/ 2 way "Zone 2"	WHITE
M2W10F-Z3	10AX	10amp 250V ac 1 way/ 2 way "Zone 3"	WHITE
M2W10F-B1	10AX	10amp 250V ac 1 way/ 2 way "Bed 1"	WHITE
M2W10F-B2	10AX	10amp 250V ac 1 way/ 2 way "Bed 2"	WHITE
M2W10F-B3	10AX	10amp 250V ac 1 way/ 2 way "Bed 3"	WHITE
M2W10F-HT	10AX	10amp 250V ac 1 way/ 2 way "Heat"	WHITE
M2W10F-FN	10AX	10amp 250V ac 1 way/ 2 way "Fan"	WHITE
M2W10F-LT	10AX	10amp 250V ac 1 way/ 2 way "Light"	WHITE
M2W10F-DN	10AX	10amp 250V ac 1 way/ 2 way "Day/Night"	WHITE
M2W32F-HP	32AX	32amp 250V ac Mechanism "Hot Plate"	WHITE
M2W32F-RN	32AX	32amp 250V ac Mechanism "Range"	WHITE
M2W32F-OV	32AX	32amp 250V ac Mechanism "Oven"	WHITE
M2W32F-ST	32AX	32amp 250V ac Mechanism "Stove"	WHITE
M2W10FB-Z1	10AX	10amp 250V ac 1 way/ 2 way "Zone 1"	BLACK
M2W10FB-Z2	10AX	10amp 250V ac 1 way/ 2 way "Zone 2"	BLACK
M2W10FB-Z3	10AX	10amp 250V ac 1 way/ 2 way "Zone 3"	BLACK
M2W10FB-B1	10AX	10amp 250V ac 1 way/ 2 way "Bed 1"	BLACK
M2W10FB-B2	10AX	10amp 250V ac 1 way/ 2 way "Bed 2"	BLACK
M2W10FB-B3	10AX	10amp 250V ac 1 way/ 2 way "Bed 3"	BLACK
M2W10FB-HT	10AX	10amp 250V ac 1 way/ 2 way "Heat"	BLACK
M2W10FB-FN	10AX	10amp 250V ac 1 way/ 2 way "Fan"	BLACK
M2W10FB-LT	10AX	10amp 250V ac 1 way/ 2 way "Light"	BLACK
M2W10FB-DN	10AX	10amp 250V ac 1 way/ 2 way "Day/Night"	BLACK
M2W32FB-HP	32AX	32amp 250V ac Mechanism "Hot Plate"	BLACK
M2W32FB-RN	32AX	32amp 250V ac Mechanism "Range"	BLACK
M2W32FB-OV	32AX	32amp 250V ac Mechanism "Oven"	BLACK
M2W32FB-ST	32AX	32amp 250V ac Mechanism "Stove"	BLACK

TV Mechanisms		
Product Code	Type	Colour
TVCP	F Type Connector 75 Ohm to suit "Pay TV"	WHITE
TVCP2GB	F Type Connector 75 Ohm to suit "Pay TV" 2GB Barrel	WHITE
TVSSF	TV Antenna Socket 75 Ohm Screw Fix Solderless	WHITE
TVSSFF	TV Antenna Socket 75 Ohm Pal to F Type	WHITE
TVCPB	F Type Connector 75 Ohm to suit "Pay TV"	BLACK
TVCP2GBB	F Type Connector 75 Ohm to suit "Pay TV" 2GB Barrel	BLACK
TVSSFB	TV Antenna Socket 75 Ohm Screw Fix Solderless	BLACK
TVSSFFB	TV Antenna Socket 75 Ohm Pal to F Type	BLACK

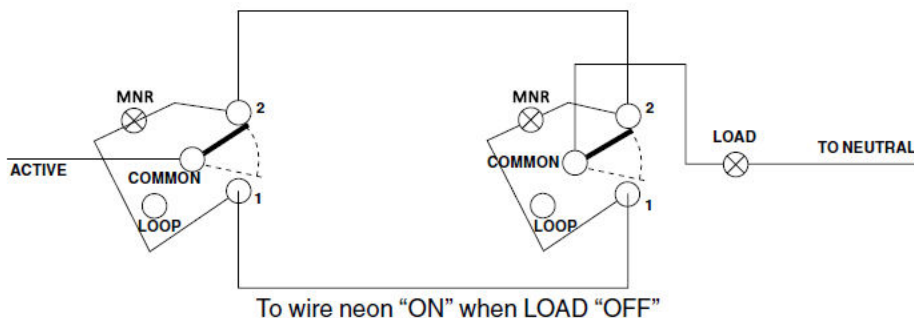
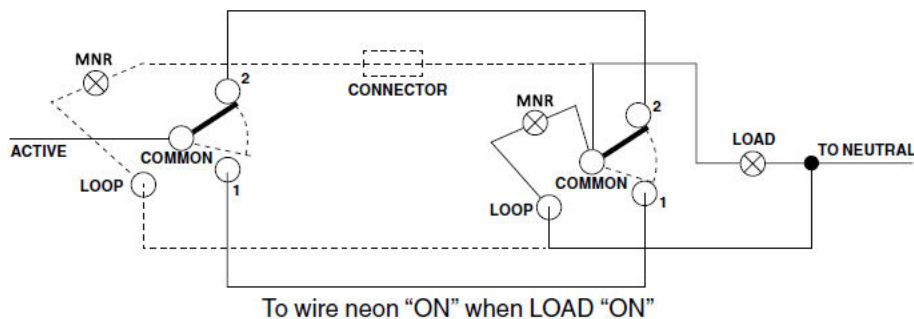
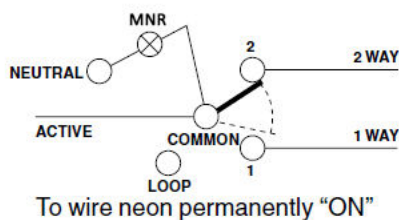
Data Mechanisms		
Product Code	Type	Colour
CAT3P	Cat 3 RJ12 Punch Down	WHITE
CAT5E	Cat 5 RJ45	WHITE
CAT6	Cat 6 RJ45	WHITE
CAT3PB	Cat 3 RJ12 Punch Down	BLACK
CAT5EB	Cat 5 RJ45	BLACK
CAT6B	Cat 6 RJ45	BLACK

Wiring Diagram

One-Way Neon Indicator (MNR)



One-Way/Two-Way Neon Indicator (MNR)



Related Products

