

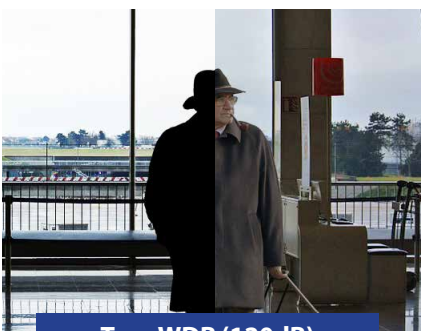


The peak of performance.

Ultimate Series: 4.0MP Motorised Lens IP Bullet Camera

This weather resistant bullet camera from the VIP Vision™ Ultimate Series offers double the resolution of Full HD 1080p cameras and has a multitude of features to be a peak performer across all applications, weather and lighting conditions. Integrate alarm systems, audio devices, edge recording via microSD and deliver reliable installations every time with the Ultimate Series surveillance range.

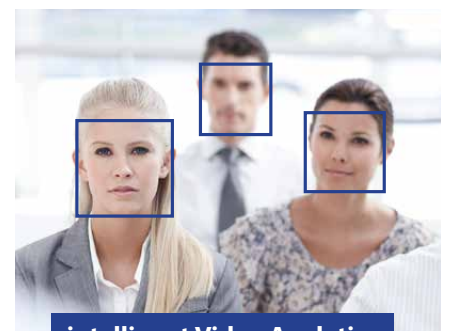
- Stream up to 4.0 megapixel (2688 x 1520) at 20fps
- 2.7 ~ 12mm motorised lens (100 ~ 33°) with auto iris
- Day/night (auto ICR) with 50m max infrared range
- True WDR (120dB) for back/highlight compensation
- RCA test video output & on-camera zoom controls
- MicroSD slot for edge recording up to 128GB
- Interface for alarm and audio device integration
- Triple stream and smart detection technologies
- IP67 weather resistant housing for external use
- ONVIF, PSIA and CGI conformance



True WDR (120dB)



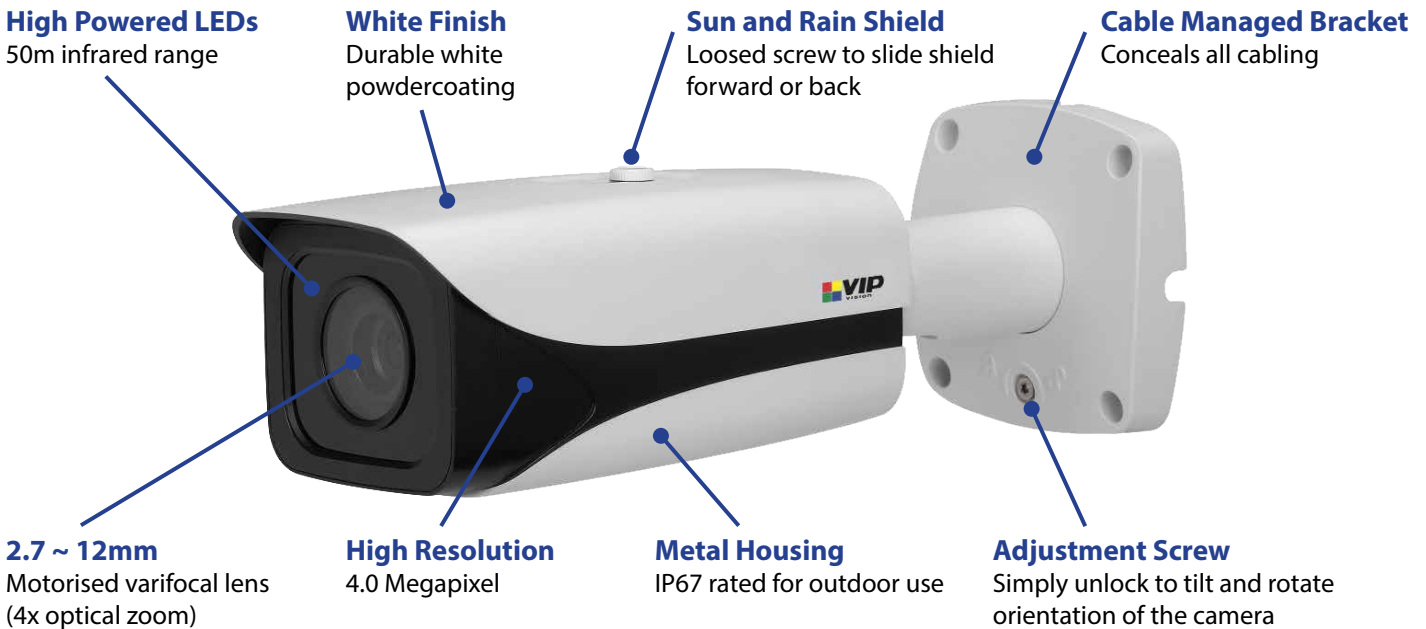
Greater than Full HD



intelligent Video Analytics

Professional surveillance packed full of impressive features.

When installing the bullet, simply open the convenient weather sealed hatch to access the viewing angle adjustment buttons, Micro SD port and the video output for testing.



Installation and setup made easy.

Opening the weather-sealed panel on the underside of the Ultimate Series IP bullet reveals:

- Manual zoom adjustment controls of the 2.7~12mm lens
- MicroSD slot for up to 128GB of local recording
- Reset button and 2-pin / 4-pin tester outputs



Easy output to BNC tester, even after mounting.

This enables new and existing camera installations to be configured easily, without ever needing to take down the camera from its mounting.

- Camera includes 2-pin to BNC video tester cable
- Easily configure via BNC testers, like VSTEST100

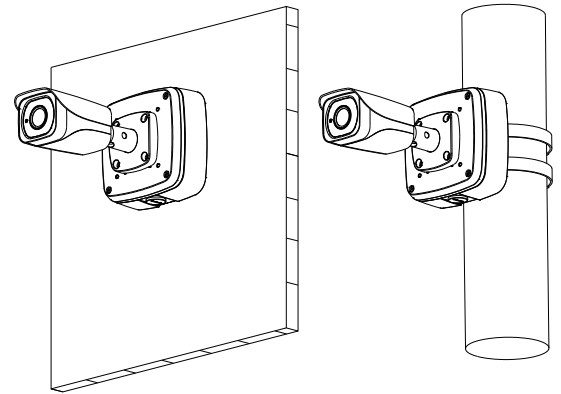
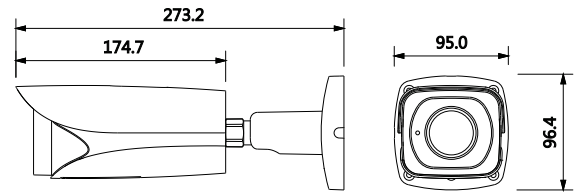


Camera I/O functionality like no other

The Ultimate IP Series features unrivaled alarm and audio functionality. Trigger recording via PIR sensors by connecting an alarm system, or integrate audio into surveillance with an external microphone input.

- 2 / 1 channel input / output for alarm integration
- 1 / 1 channel input / output audio interface

Model		VSIP4MPFBIRM	
General	Product Image		
	Camera Style	Weather Resistant Bullet	
	Image Sensor	1/3" 4.0MP Progressive Scan CMOS	
	Effective Pixels	2688 (H) x 1520 (V)	
Signal Noise Ratio		> 50dB	
Camera	Lens	2.7 ~ 12mm F1.4 Motorised Lens with Auto Iris (DC)	
	Angle of View	100° (wide) ~ 33° (tele)	
	Minimum Illumination	0.01 Lux at F1.4 (Colour) / 0 Lux at F1.4 (IR on)	
	Electronic Shutter	Auto / Manual (1/3 ~ 1/100000s)	
	Day/Night	Auto (ICR) / Colour / B&W	
	Infrared Range	50m	
	White Balance	Auto / Sunny / Night / Outdoor / Customised	
	Noise Reduction	3D Digital Noise Reduction	
	Gain Control	Auto / Manual	
	Lighting Compensation	Backlight / Highlight / True WDR (120dB)	
	Resolution	4.0MP (2688 x 1520) to CIF (352 x 288)	
	Video	Frame Rate	Main
Sub			D1 and lower (1 ~ 25fps)
Third			720p and lower (1 ~ 20fps)
Video Compression		H.264 / H.264B / H.264H / MJPEG	
Bit Rate	H.264: 32Kbps ~ 10Mbps		
ONVIF Conformance	ONVIF, PSIA, CGI		
Interface	Audio Input	1 input / 1 output channels	
	Audio Compression	G.711a / G.711u / AAC	
	Alarm Interface	1 input / 1 output channels	
	Network Interface	RJ45 (10/100 Base-T)	
	Memory Slot	MicroSD up to 128GB	
	Smart Functions	Face Detection (Optional: Tripwire, Intrusion, Scene Change)	
Environmental	Video Output	1 channel BNC (1.0Vp-p, 75 ohm)	
	Ingress Protection	IP67	
	Vandal Resistant	N/A	
	Power Input	12VDC / PoE (802.3af)	
	Power Consumption	< 12W	
	Construction	Full metal enclosure	
	Dimensions	273 x 95 x 95mm	
Weight	1.10kg		
Operating Environment	-30 to 60°C / RH95% (max)		


 Wall Mount:
VSBKTA121

 Pole Mount:
VSBKTA121/VSBKTA152