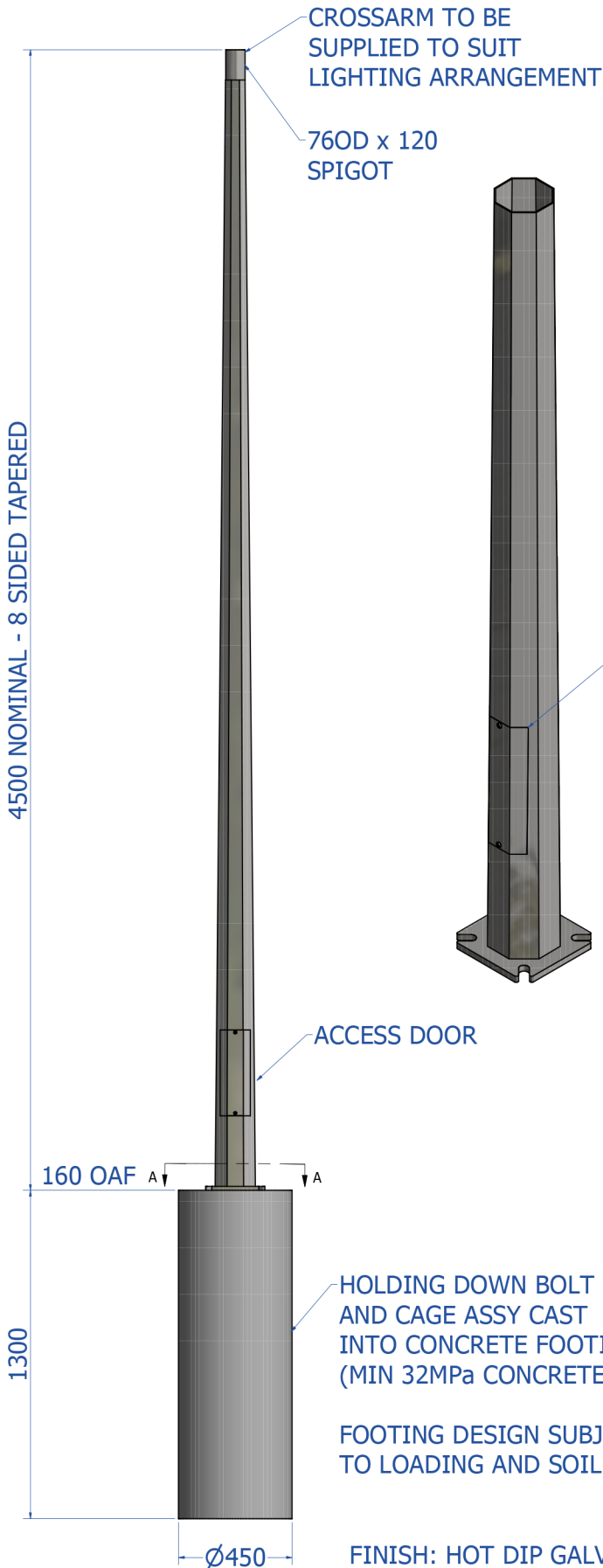


SLR-POL4

4.5 metre option

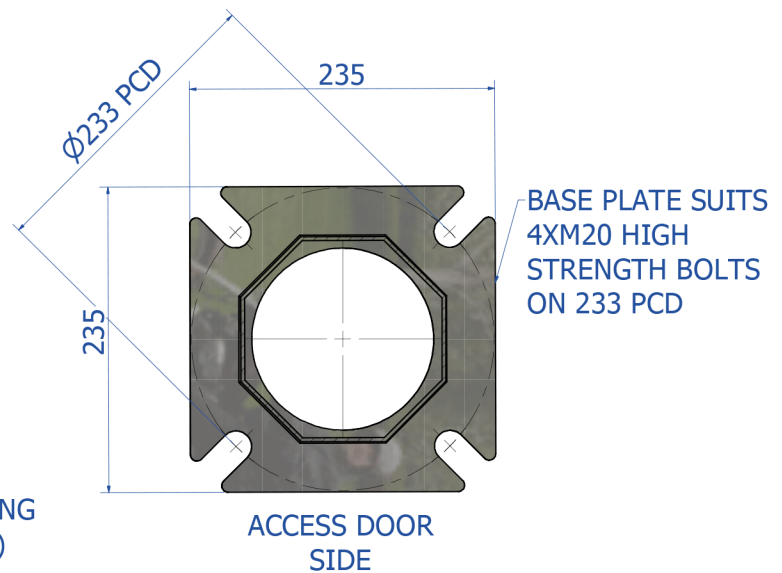
SLR-POL6

6.0 metre option



WEATHERPROOF ACCESS DOOR
300 LONG X 110 WIDE FITTED
WITH 300 X 110 EQUIPMENT TRAY
FOR MOUNTING ELECTRICAL GEAR

MULTIPLE ACCESS DOORS OPTIONAL
SUBJECT TO ELECTRICAL EQUIPMENT
REQUIREMENTS



SECTION A-A

FINISH: HOT DIP GALVANISED (DUAL COAT FINISHES OPTIONAL)