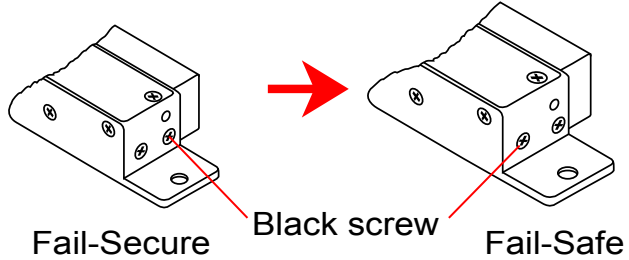
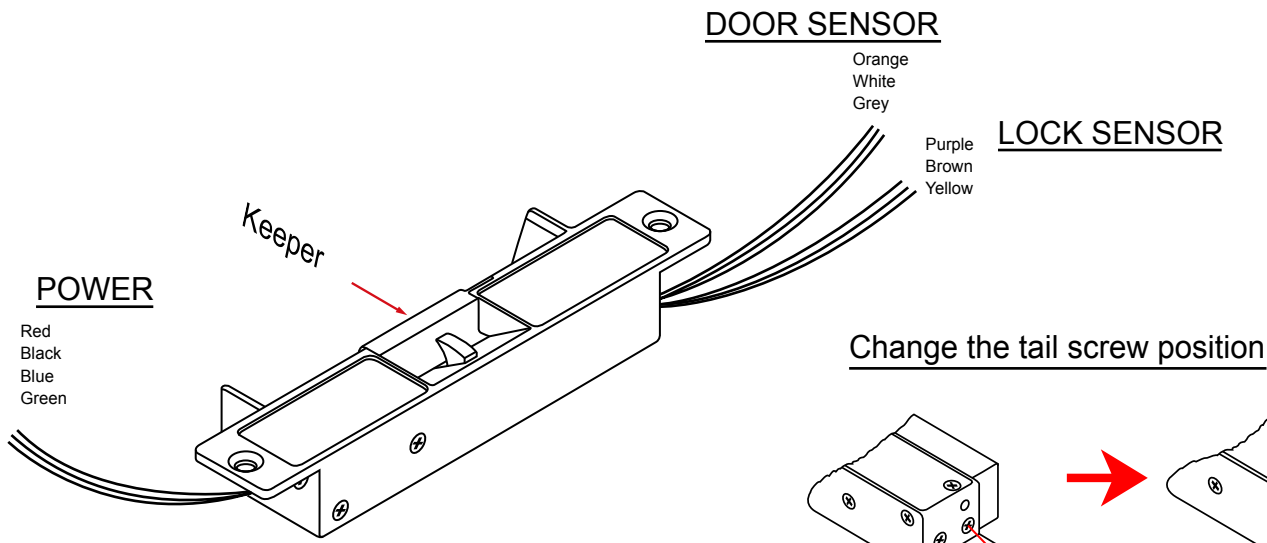


## \* Electric Strike w/Lock Sensor, Door Sensor

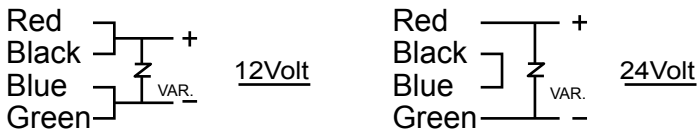


### 1. Technical Data

#### 1-1. Maximum Voltage & Current:

280mA / 12VDC	140mA / 24VDC
170mA / 12VDC	85mA / 24VDC

#### 1-2. Power Terminations:



\*\* VAR provided with the package, to be used for surge protection between + and - Power terminals.

TNR560 to be used for 24VAC  
TNR330 to be used for 12VDC, 24VDC, 12VAC

#### 1-1. Sensor Terminations:

##### Lock Sensor (when keeper locked) :

Purple	COM
Brown	NO
Yellow	NC

##### Door Sensor (when door opened) :

Orange	COM
White	NO
Grey	NC

# at keeper locked condition in fail secure mode.

Sensor contact rating : 1A Max, 30V AC/DC

### 2. Dimensions

