



# Camera Quick Install Guide



## VDIRM Series

**Thank you for purchasing a VDIRM Series CCTV Surveillance Camera.**

This Quick Install Guide covers basic setup, installation and use of your surveillance system.

For the full user manual, instructional videos, tips on using your surveillance system & warranty information, please visit: <http://www.securview.biz/>

# Safety Information

## Electrical safety

- All installation and operation here should conform to your local electrical safety codes.
- Check that the power supply is correct before operating the camera.
- Ensure the power supply conforms to the requirement in the SELV (Safety Extra Low Voltage) and the Limited power source is rated DC 12V or AC 24V in the IEC60950-1. (Power supply requirement is subject to the device label).
- Do not install wiring while the camera is powered on.
- Prevent the power cable from being trampled or pressed, especially the plug, power socket and junction.
- We assume no liability or responsibility for any fires or electrical shock caused by improper handling or installation.
- We assume no liability or responsibility for any problems caused by unauthorized modification or attempted repair.

## Environment

- Do not aim the camera at strong light (such as lighting, sunlight, etc) to focus; this may cause overexposure, which will affect the longevity of the CCD and/or CMOS.
- Transport, use and store the camera within the specified range of humidity and temperature.
- Do not store the camera in a wet, dusty, extremely hot, or extremely cold location, or in an area with strong electromagnetic radiation or unstable lighting.
- Do not allow water or other liquids to fall into the camera; this may damage internal components.
- Do not allow water or other liquids to make contact with indoor cameras (cameras with no IP rating); this may damage the camera or cause fire/electrical shocks.
- Keep the camera well ventilated in case of heat accumulation.
- Pack the camera with the included factory packaging (or material of similar quality) while transporting to prevent damage.
- While being transported, stored or installed, ensure the camera does not experience heavy stress, strong vibration or liquid contact .

## Warning

- Change the default password after login in order to avoid unauthorised access.
- Install the camera using the standard accessories provided by the manufacturer and make sure the device is installed and fixed by professionals.
- Keep the camera away from laser beams while using a laser device.
- Do not connect two power sources to the device at the same time; this may result in damage to the camera.

## Statement

- Refer to the actual product for more details; the manual is just for reference.
- The manual will be regularly updated as the product updates; the updated content will be added to the manual without prior announcement.
- Contact the supplier or customer service if there is any problem occurred camera using the camera.
- Contact the supplier or customer service for the latest procedure and supplementary documentation.
- Actual value of some data and the value provided in the manual may differ due to environmental differences, etc.
- VIP Vision is not liable for any damages caused by operation which is not followed in the manual.

### Operation and Daily Maintenance

- Do not touch the heat dissipation component of the camera directly in order to avoid burns.
- Do not dismantle the device; there is no component which can be fixed directly by users in the camera. Contact the supplier to replace desiccant if it becomes green.
- Grounding the camera is recommended to enhance the reliability of it.
- Do not touch the CCD (CMOS) optic component directly. Use an air duster to clean dust or dirt on the lens surface, or use a cloth lightly wet with alcohol to wipe away dust gently.
- Use a dry soft cloth to clean the camera. If there's a large amount of dust, use a mild detergent diluted with water first. Don't use volatile solvents such as alcohol, benzene, thinner or strong detergents, as this may damage the surface coating or damage the camera.
- To clean the lens, use a dry soft cloth to wipe water or oil gently until dry, then use an oil-free cotton cloth or paper soaked with alcohol/detergent to wipe from the centre of the lens outwards.

## FCC information

### FCC conditions

- This device complies with part 15 of the FCC Rules. Operation is subject to the following two conditions:
  - This device may not cause harmful interference.
  - This device must accept any interference received, including interference that may cause undesired operation.

### FCC compliance

- This equipment has been tested and found to comply with the limits for a digital device, pursuant to part 15 of the FCC Rules. These limits are designed to provide reasonable protection against harmful interference. This equipment generates uses and can radiate radio frequency energy and, if not installed and used in accordance with the instruction manual, may cause harmful interference to radio communication. However, there is no guarantee that interference will not occur in a particular installation. If this equipment does cause harmful interference to radio or television reception, which can be determined by turning the equipment off and on, the user is encouraged to try to correct the interference by one or more of the following measures:
  - Reorient or relocate the receiving antenna.
  - Increase the separation between the equipment and receiver.
  - Connect the equipment into an outlet on a circuit different from that to which the receiver is connected.
  - Consult the dealer or an experienced technician for help.

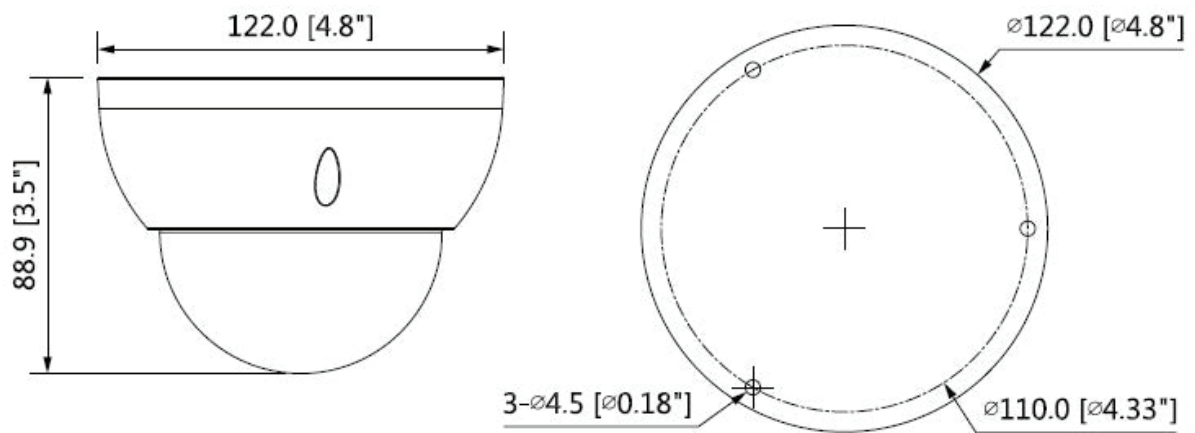
**Note:** Refer to the disk for more details, check and download corresponding user's manual and tool. Before installation, open the package and check that all components are included. If any components are broken, contact your local supplier.

## 1. Pre-install Information

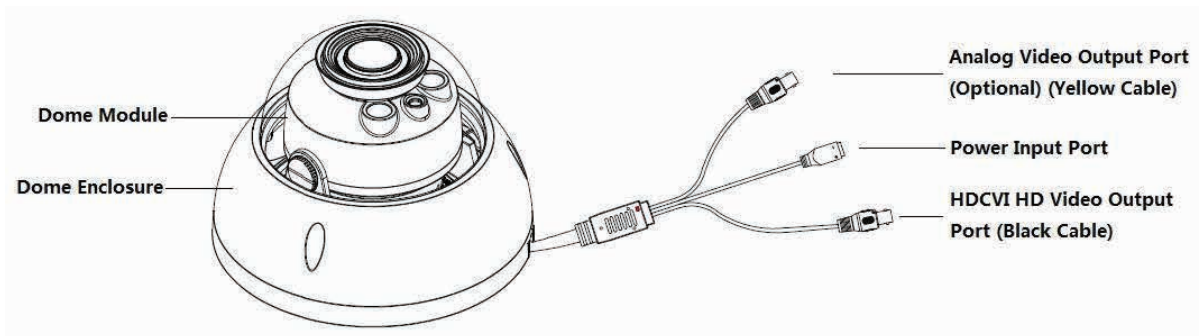
### Included components

1 x	VDIRM Series HDCVI Camera
1 x	Installation Accessories Bag: <ul style="list-style-type: none"> <li>• Position installation map</li> <li>• Expansion bolts</li> <li>• Self-tapping screws</li> </ul>
1 x	CD

### Dimensions

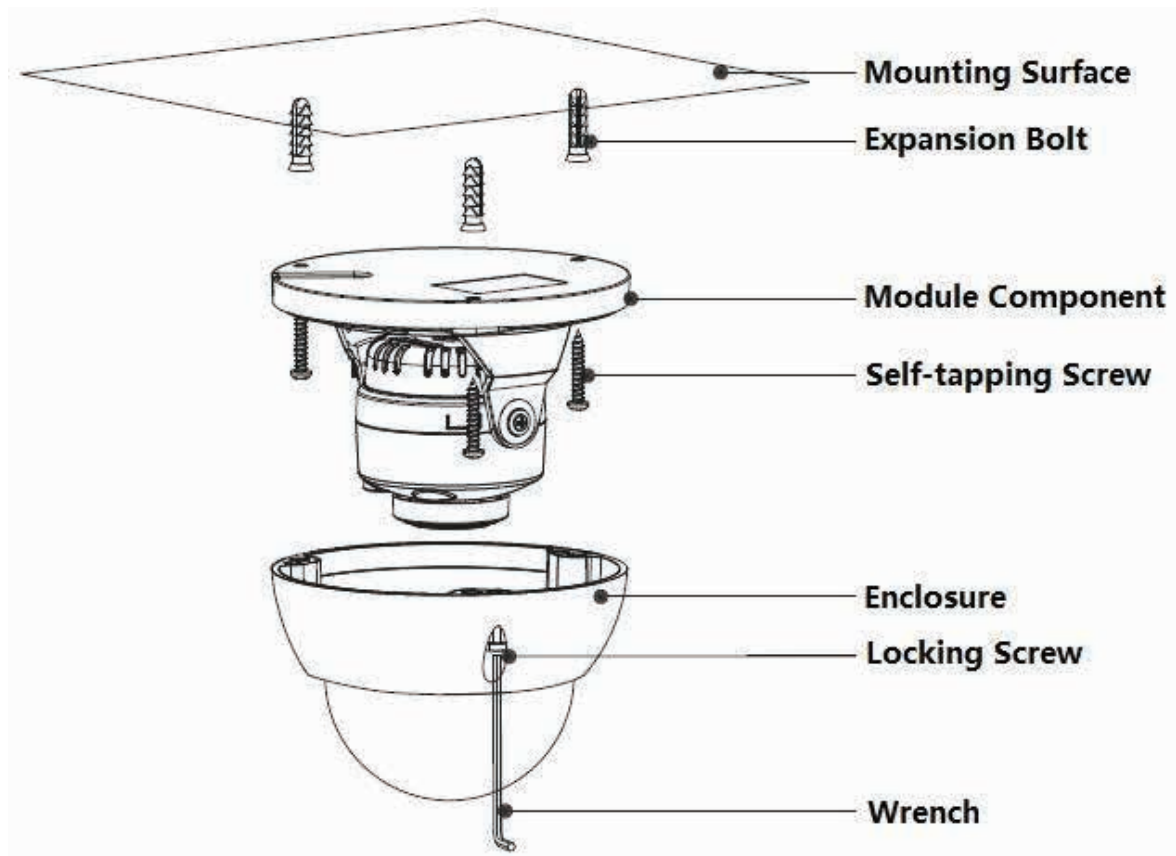


### Device framework



## 2. Camera Installation

Here we will walk you through the installation process of your “VDIRM Series” camera. We will show you how to set up and adjust your camera and insert your microSD card. Be sure to check the *Pre-install Information* to have an understanding of the included components, dimensions, and connection ports.



### 2.1 Position the camera

1. Install the microSD card. (Optional, see 2.2 *Accessing the microSD card slot*).
2. Position the installation map to a wall or ceiling and drill holes where marked.
3. Insert the expansion bolts into the drilled holes.
4. Use the installation screws to fix the device on the installation surface through the device bracket.
5. Plug in the external cables according to usage requirements.
6. Adjust monitoring direction of the device (See 2.3 *Adjusting the camera angle*).
7. Setup is complete!

## 2.2 Accessing the microSD card slot (optional)

### 2.2.1 Installing the microSD card

1. Unscrew the dome enclosure and then lift the dome off.
2. Locate the microSD card slot.
3. Install the microSD card into its dedicated slot, making sure it's properly secured.
4. Replace the dome enclosure.

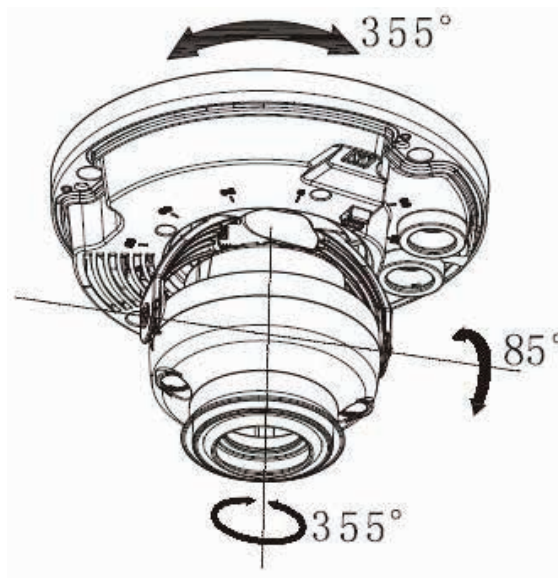
### 2.2.2 Advantages of the microSD

The microSD card is useful for anyone who wishes to have another way to back up storage, or is on a budget and doesn't have a recorder. The microSD card is placed inside of the camera, and can hold a set amount of storage (dependent on size of card) for any intended use, such as: video playback, storage, backup etc.

The microSD card utilises "Edge Recording". This is when the camera records video directly onto the installed card in the camera, instead of a separate DVR or storage device. This gives the user more flexibility in recording video.

**Note:** Having a standalone microSD card will not ensure that you have the same quality playback, nor the capacity compared to a separate DVR or storage device.

## 2.3 Adjusting the camera lens



1. Adjust the lens zoom and focus on the back-end HCVR device to make the image clear.
2. Adjust the lens angle according to the direction shown in the image above.
3. Tighten the screws to fix the lens after adjustment has been made.



Experience your moment of victory™

This quick install guide is for reference only. Slight difference may be found in user interface.

All the designs and software here are subject to change without prior written notice.

If there is any uncertainty or controversy, please refer to the final explanation of us.

Please visit our website or contact your local service engineer for more information.

[www.securview.biz](http://www.securview.biz)