

Instructions of ceiling fixed installation for panel TV

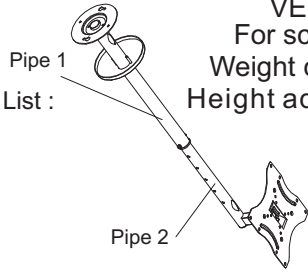
MODEL NO.:LCDBKT-A35C

VESA: 200x200

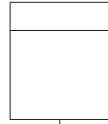
For screen sizes 23"-42"

Weight capacity: 35 kg/77 lbs
Height adjustment: 600-852mm

1. Parts List:

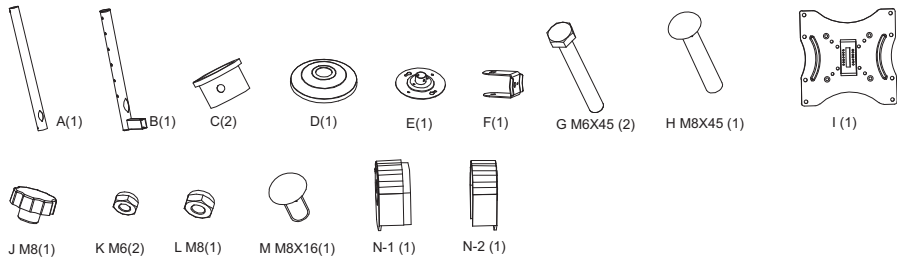


Accessories bag

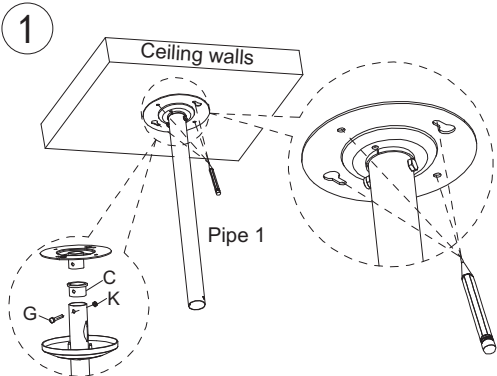


- | | | | | | |
|-------------------------------|----------------------------------|---------------------------------------|---------------------------------------|---------------------------------------|---------------------------------------|
| (A) x4 pcs
ST6x50mm | (B) x4 pcs
φ 8x φ6xL40 | (C) x4 pcs
φ Flat washer(4) | (D) x4 pcs
φ Flat washer(4) | (E) x4 pcs
φ Flat washer(4) | (F) x4 pcs
φ Flat washer(4) |
| (G) x4 pcs
M4x12mm | (H) x4 pcs
M5x12mm | (I) x4 pcs
M6x12mm | (J) x4 pcs
M8x15mm | | |

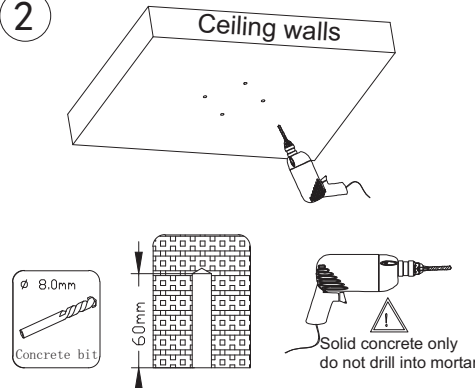
Part list:



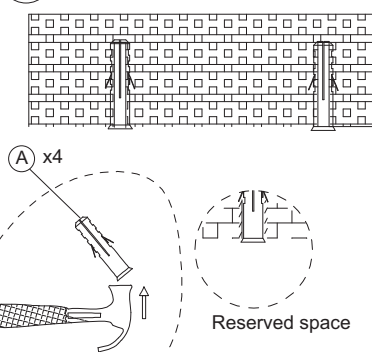
Step-1 Mounting the wall plate:



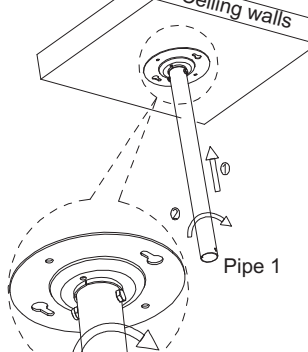
2



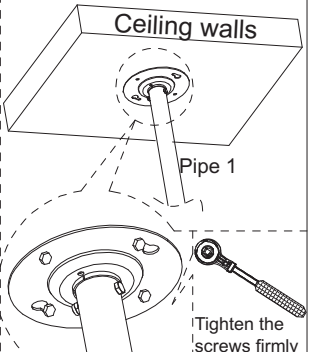
3



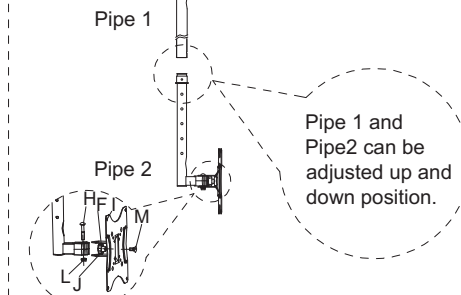
4



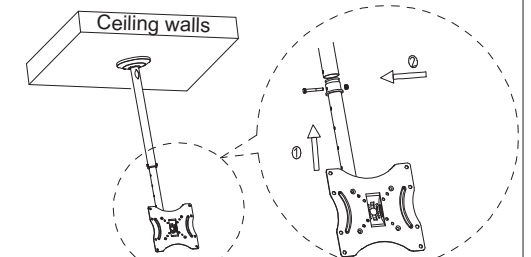
5



Step-2



Step-3 Select the appropriate height in the Pipe1 into Pipe2; Then lock the pin.



Step-4 The TV is installed on the bracket.

