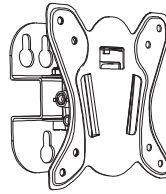
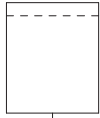


# LCD Plasma Wall Bracket Instruction Manual

Model No:LCDBKT-A15T  
 VESA: 100x100  
 For screen sizes 13"-30"  
 Weight capacity:15 Kg/33LBS  
 Distance from wall:73mm



Accessories bag



St5. 5x50mm  
 [A] x3



M8x6x40mm  
 [B] x3



M4x12  
 [C] x4

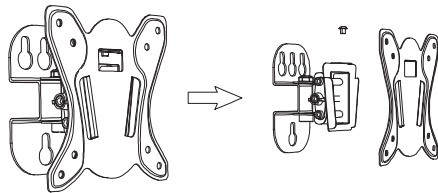


D4  
 [D] x4

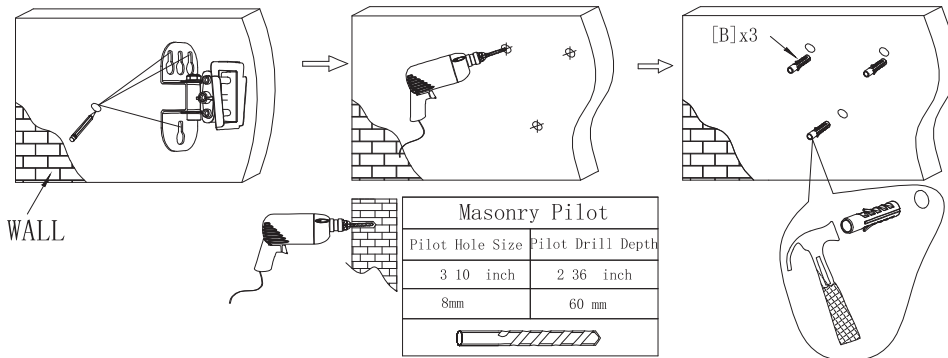


spanner s=4  
 [E] x1

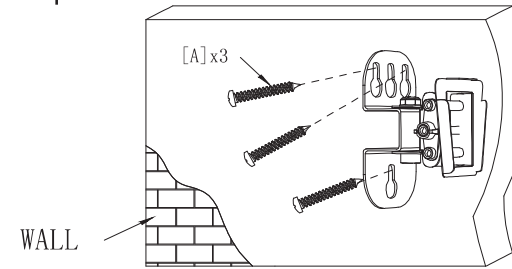
Step-1 :



Step-2 :

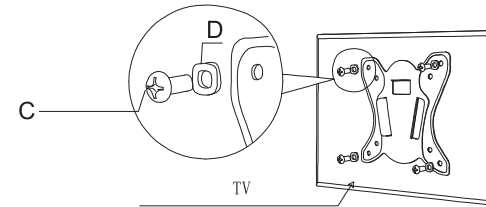


Step-3 :



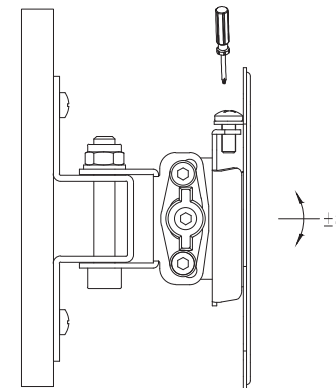
Fix the wall dead plate with six lag bolts to install the wall fixed installation for the panel TV on the vertical wall

Step-4 :



Install the panel TV on the TV fixed plate with suitable bolts .

Step-5 :



Hang the TV fixed plate in connection with the TV panel on the wall dead plate. At last adjust the azimuth of the panel TV to a suitable position for watching.