

12VDC/24VDC Single Output Industrial DIN Rail Power Supply

SECURVIEW™

Professional CCTV Surveillance

Model: PSDR12V7A / PSDR24V4A



Specifications

	Model	PSDR12V7A	PSDR24V4A
Output	Output Voltage	12VDC	24VDC
	Current	7.5A	4.2A
	Current Range	0 ~ 7.5A	0 ~ 4.2A
	Rated Power	90W	100W
	Ripple and Noise (max.)	120mVp-p	150mVp-p
	Voltage Adj. Range	12 ~ 15V	24 ~ 29V
	Voltage Tolerance	±2.0%	±1.0%
	Line Regulation	±1.0%	
	Load Regulation	±1.0%	
	Setup, Rise Time	2700ms, 80ms/230VAC	
Input	Hold Up Time	2700ms, 80ms/115VAC at full load	
	Voltage Range	88 ~ 264VAC / 124 ~ 370VDC	
	Frequency Range	47 ~ 63Hz	
	Efficiency	87%	89%
	AC Current	3A/115VAC / 1.6A/230VAC	
Protection	In-rush Current	Cold Start - 30A/115VAC Normal - 45A/230VAC	
	Overload	105 ~ 135% rated output power Type: Constant current limiting, recovers automatically after fault condition is removed	
	Overvoltage	16 ~ 20V / 30 ~ 35V Type: Shut down O/P voltage, restart to recover 90°C ±15°C (RTH2) detect on heatsink of power transistor	
Environment	Overheat	Type: Shut down o/p voltage, restart to recover -20 ~ +60°C	
	Working Temperature	-20 ~ +60°C	
	Working Humidity	20 ~ 90% RH non-condensing	
	Storage Temp., Humidity	-40 ~ +85°C, 10 ~ 95% RH	
Safety & EMC	Temp Coefficient	±0.03%/OC (0 ~ 50°C)	
	Vibration	Component: 10 ~ 500Hz, 2G 10min./1cycle, 60min. each along X, Y, Z axes Mounting: Compliance to IEC60068-2-6	
	Safety Standards	UL60950-1, TUV EN60950-1 approved, Design refer to EN50178	
	Withstand Voltage	I/P-O/P: 3KVAC	
	Isolation Resistance	I/P-O/P: >100M Ohms/500VDC 25°C 70%RH	
Other	EMI Conduction & Radiation	Compliance to EN61204-3	
	Harmonic Current	Compliance to EN61000-3-2,-3	
	EMS Immunity	Compliance to EN61000-4-2, 3, 4, 5, 6, 8, 11, ENV50204, EN55024, EN61000-6-2, EN61204-3, heavy industry level, criteria A	
MTBF	486K hrs min. MIL-HDBK-217F (25°C)		
Dimensions	100 x 93 x 56mm		
Working Temperature	-20 ~ +60°C		

Overview

The PSDR series consists of 12VDC and 24VDC Class II DIN rail mount switching power supplies. Designed with a fully isolated plastic case to prevent user contact and the risk of shock.

Other standard features include its no load power consumption to save energy, short circuit, over load, over voltage and over temperature protections.

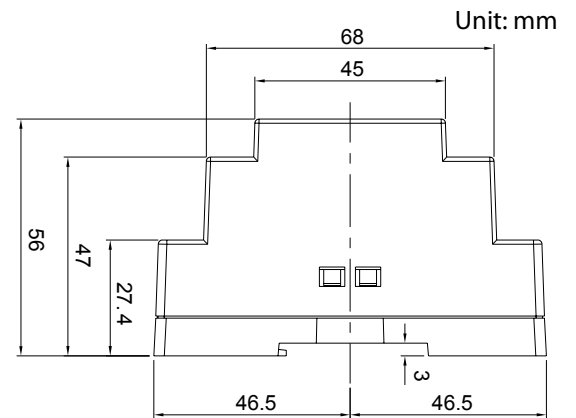
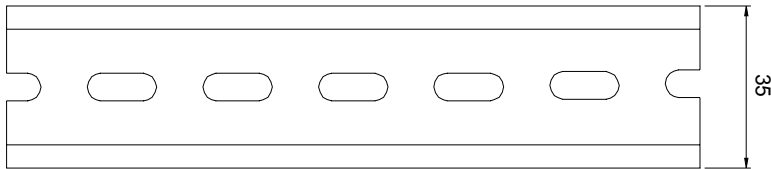
Product Highlights

- 12VDC 7.5A / 24VDC 4.2A Power output
- Integrated protection against line overvoltage / overload / short circuit
- Integrate to protect IT & security in home, office and retail environments
- Designed for installation on DIN rail TS-35/7.5 or 15
- Prevents overheating with free air convection
- Isolation class II
- LED indicator for power on
- No load power consumption < 1W
- 100% full load burn-in test

Your local Securview™ surveillance professional:

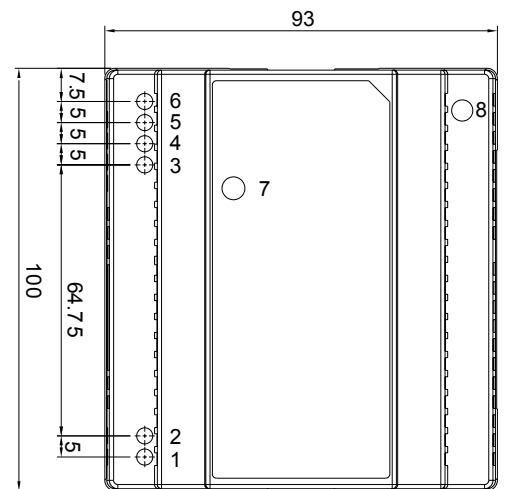
Diagram Details

Admissible DIN-Rail: TS35/7.5 or TS35/15

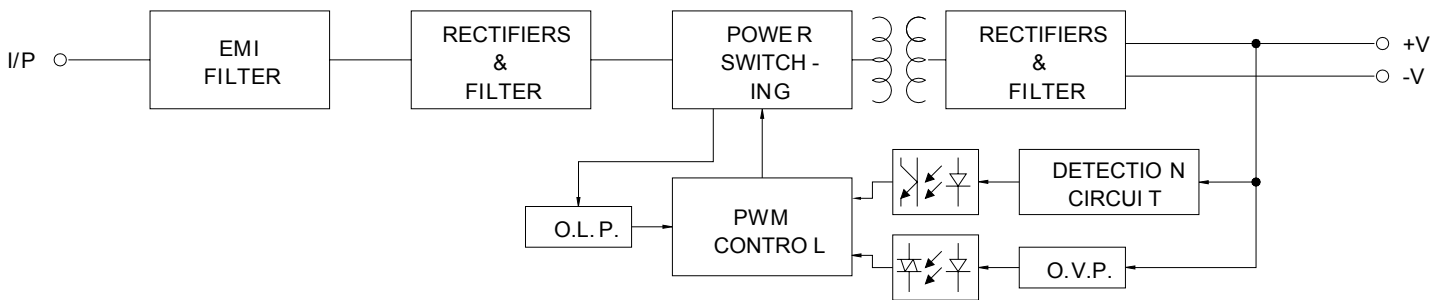


Terminal Pin No. Assignment

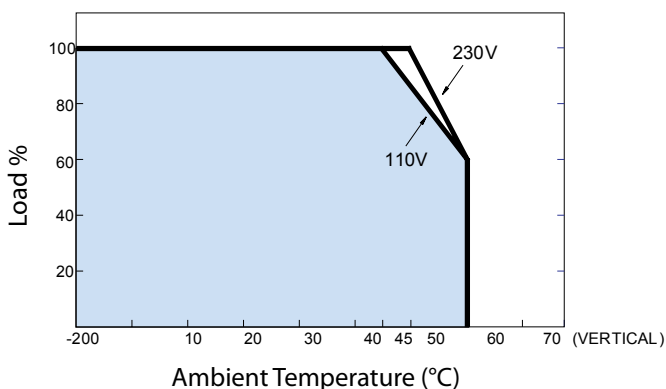
Pin No.	Assignment
1	12
2	7.5
3,4	90W
5,6	88-264VAC
7	87%
8	100 x 93 x 56mm



Block Diagram



Derating Curve vs Ambient Temperature



Output Derating vs Input Voltage

