



Delay doors, set schedules.

Watchguard™ Timer Modules

The Watchguard™ range of timer modules allows you to control the timing of your doors, egress points, security systems and lighting installations. Set door delays with egress timers, or set daily, weekly or annual schedules for access and alarms with an annual timer.



ACLOC Door strikes

The latest Watchguard™ range of electronic door strikes feature tough, steel and stainless steel, convertible fail-safe/fail-secure, multi-voltage, and door/lock monitored models.



ACDS Release Buttons

Stylish buttons for use with Watchguard™ door strikes.

Connect a timer module between the door strike and the release button to cause a delay between the button being pressed and the door opening.

Use these timer modules with the Watchguard™ access control range

365-Day Annual Timer (Two Relay Outputs)

Model: TMR10A-1Y

The TMR10A-1Y can be programmed to operate two relays 24 hours a day, over the course of an entire year.

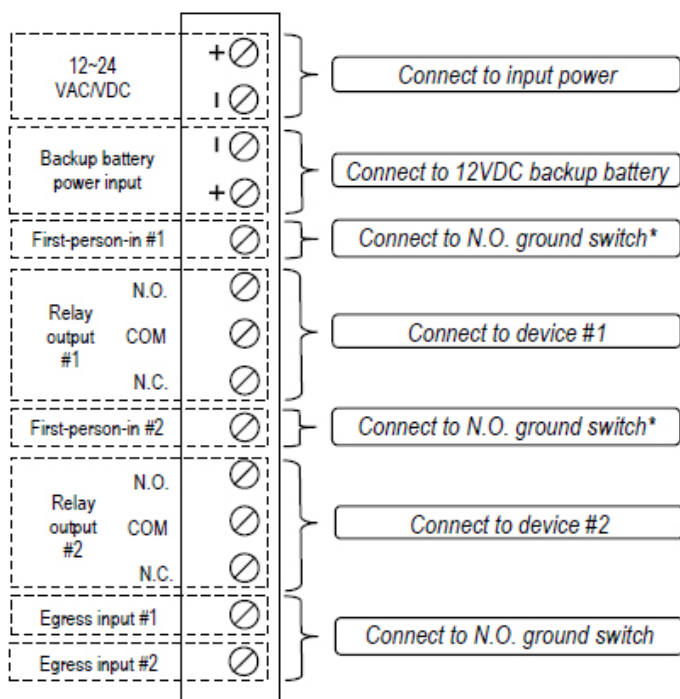
These relays can be used to control devices in many applications such as security, access control, lighting and environmental control (for example, electronic locks and alarms can be programmed to automatically arm every weekday from 8PM to 7AM, and all day for weekends and holidays).



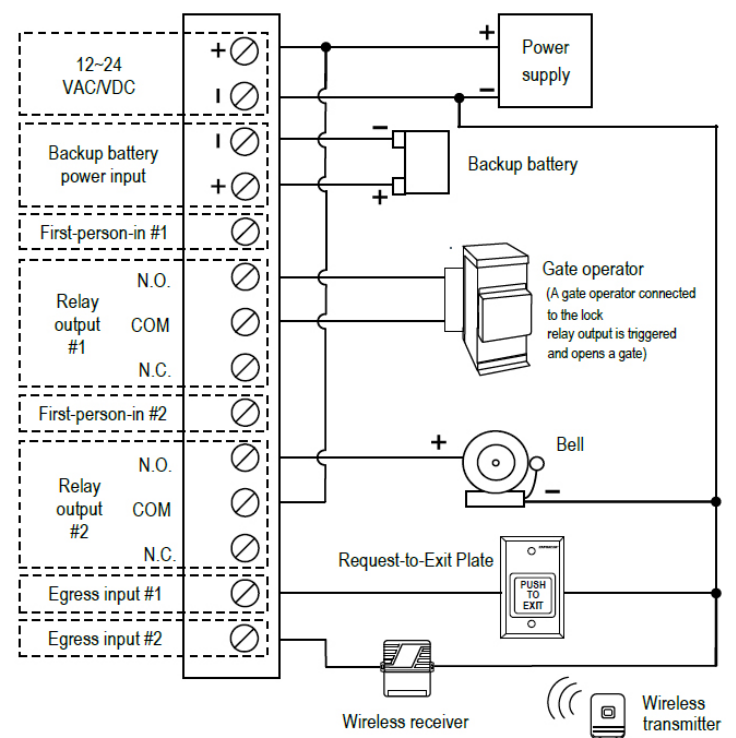
Features

- Each relay can be programmed for 50 events, for a total of 100 individual programmable events
- Events can be set weekly, daily, or hourly, over the course of an entire year (with leap year compensation)
- Manual operation of relays without event programming
- Block programming allows events to be repeated
- First-person-in function interrupts the timer's normal operation
- Event outputs can be programmed disable, ON, OFF, shunt, or momentary (1~99 seconds)
- 10 Programmable holidays
- Password-protected programming
- Tandem mode allows both relays to operate at once
- EEPROM Memory for data protection in case of outage
- Built-in clock backup battery
- Built-in backup battery charger for external backup use
- Can be set for Standard or Daylight Saving Time
- Alphanumeric backlit LCD display for easy programming

Wiring Diagram



Sample Applications



Programmable Timer Module (1s - 60m)

Model: TMR8A-1H

The TMR8A-1H is suitable for use with a wide range of timed security and access control products, such as electric door strikes, sirens, or bells.

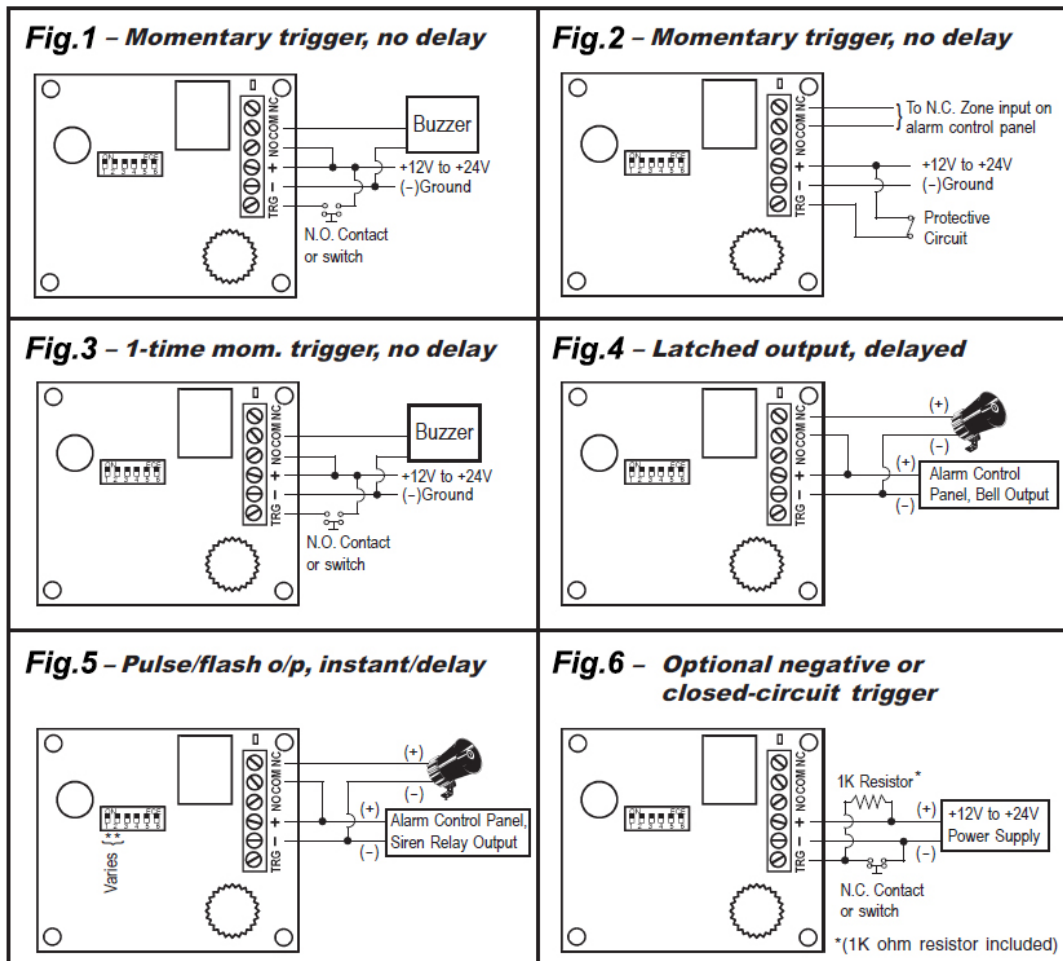
Installation is easy with DIP switches for programming, auto-sensing of input voltage and a case with screw holes for mounting.

Features

- Timer can be set from 1 second to 60 minutes
- Protective case shields the timer from dirt/dust and makes installation easier
- Can be triggered by positive voltage (+DC), or closure or opening of dry contact
- Relay can be programmed to activate at the start/end of the timing cycle, or for one sec at end of timing cycle
- Programmable for pulse (flash) activation
- Small form factor allows for easy installation
- Built-in reset function to manually reset timing cycle
- LED power indicator
- Programmed via DIP switches - no jumpers to cut



Sample Applications



Delayed Egress Timer Module (1s - 60s)

Model: TMR10A-1M

The TMR10A-1M is a delay timer module used to delay the opening of a door, with 3 relock modes to choose from.

Delayed egress is useful in stores, particularly with back doors, to deter theft and grant more time to notice and approach somebody making unauthorized use of the door.

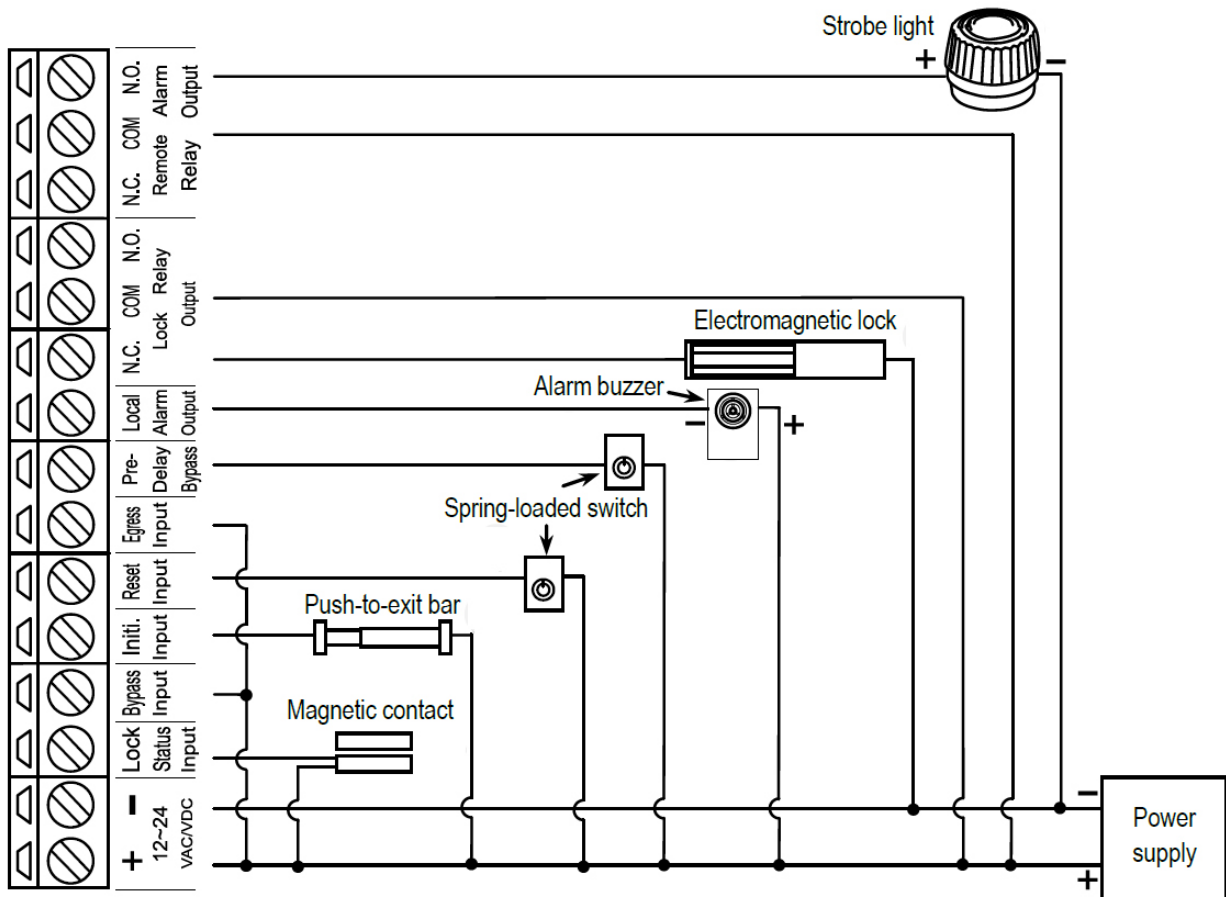


Features

- 12~24 VDC Operation
- 3 Relock modes to meet installation requirements:
 - Standard manual relocking
 - BOCA (Building Officials Code Administrators) relocking
 - Timed relocking (1~60 seconds)
- Adjustable pre-delay timer (1~30 seconds)
- Adjustable post-delay timer (1~60 seconds)
- Small form factor allows for easy installation
- Selectable manual or automatic relocking after outage
- Door status input
- LED power and relay status indicators
- Bypass input immediately releases locks
- Free egress input allows easy exit during the delay

Sample Application

In this application, the TMR10A-1M is used to delay egress from a building.



Compact Timer Module (1s - 3m)

Model: TMR2A-3M

The TMR2A-3M is a low-voltage miniature delay timer module which extends the activation time of a momentary contact switch.

It is ideal for electrical locks which do not have a built-in time delay function. Its compact size makes it able to fit in a single-gang switch box, door frame cavities and other small spaces.

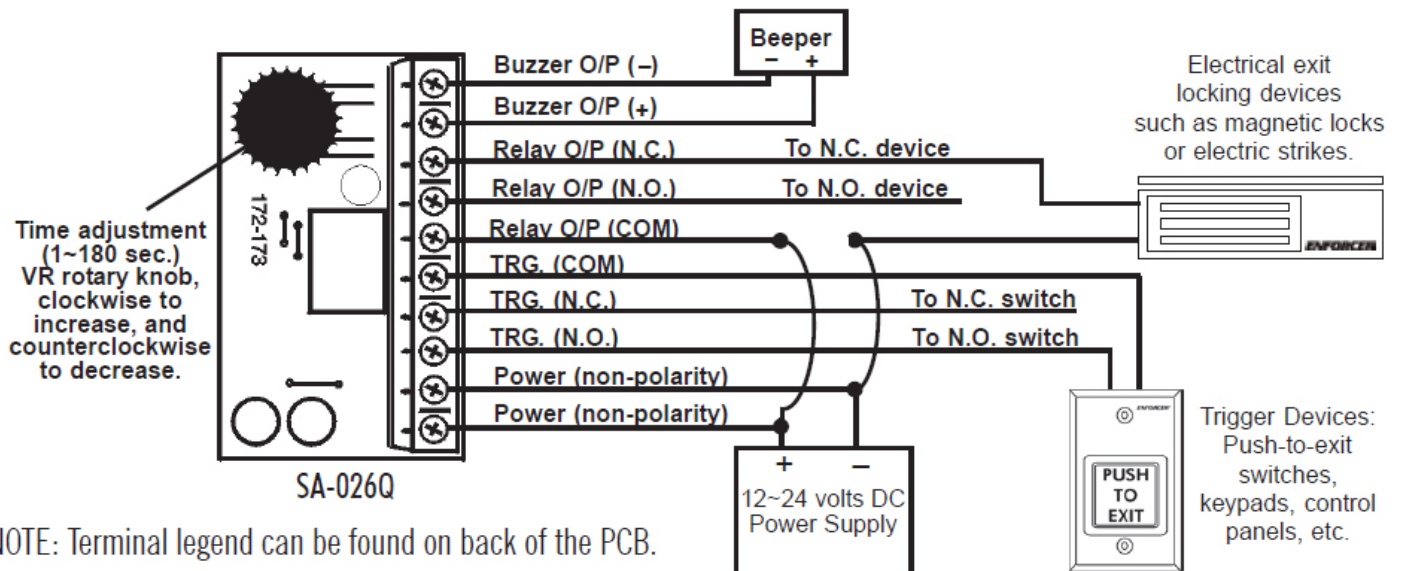


Features




- Adjustable timer from 1~180 seconds via potentiometer
- NO/NC switch trigger
- Compact design for easy and versatile installation
- Relay output: Form-C (SPDT) via terminal blocks
- Built-in reset function to manually reset timing cycle
- LED power indicator
- Built-in buzzer output (100mA @ 24VDC)
- Includes double-sided foam tape

Sample Application

In this application, the TMR2A-3M is used as a fail-safe electromagnetic lock.



Product Specifications

| Model | TMR10A-1Y | TMR8A-1H | TMR10A-1M | TMR2A-3M |
|-------------------------------|---|---|--|---|
| |  |  |  |  |
| Timer Duration | 1 hour to 1 year | 1 second to 60 minutes | 1 to 60 seconds | 1 to 180 seconds |
| Relay Ratings | Form C 10A | Form C 8A | Form C 10A | Form C 2A |
| No. of Relays | 2 | 1 | 1 | 1 |
| Operating Voltage | 12/24 VDC/VAC | 12/24 VDC | 12~24 VDC/VAC | 12~24 VDC/VAC |
| Current Draw - Active | 70mA | 50mA | 120mA | 75mA |
| Current Draw - Standby | N/A | 1mA | N/A | 2mA |
| LED Status | Yes (Power) | Yes (Power) | Yes (Power & Relay) | Yes (Power) |
| DIP Switches | No (Buttons) | Yes | No | No |
| Protective Case | Yes | Yes | Yes | No |
| Dimensions | 107 x 78 x 31mm | 73 x 63mm (Board) | 76 x 83 x 28mm | 35 x 68 x 16 mm |
| Weight | 55g | 45g | 55g | 20g |

Your local Watchguard™ professional:
