

Adapter/Junction Box for PTZ Dome Cameras

Model: VSBKTA140

Technical Specifications

Aluminium adapter/junction box used as a spacer or as connector for corner & pole mounts. For PTZ surveillance cameras.

| | |
|------------------------------|----------------------------|
| Model | VSBKTA140 |
| Materials | Aluminium |
| Dimensions | 297 x 248 x 107mm |
| Pipe Thread | M20 (G1/2") |
| Operating Conditions | -40° ~ 60°C / 90% RH (max) |
| Load Bearing Capacity | 8.00kg |
| Weather Resistance | IP66 rated |
| Weight | 1.70kg |

Product specifications and bracket compatibility are subject to change.



Bracket Compatibility

This bracket is compatible with the following cameras from VIP Vision and/or Securview Victory Series.



VIP Vision™ IP Surveillance Cameras

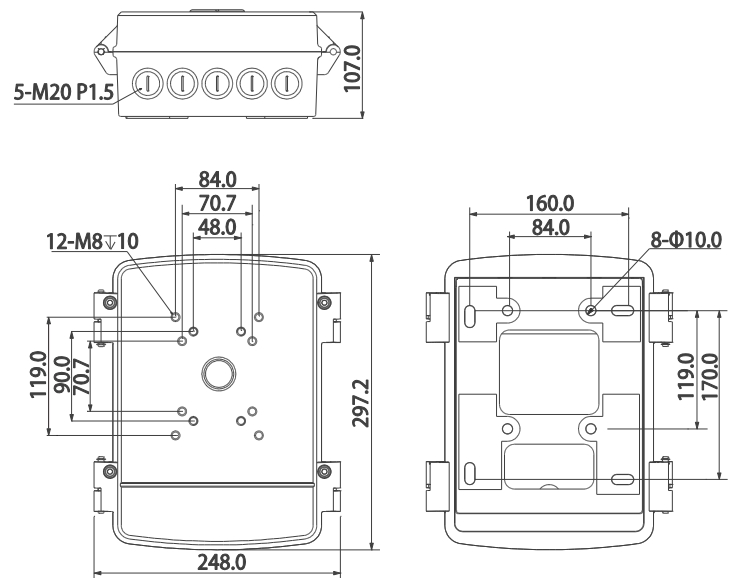
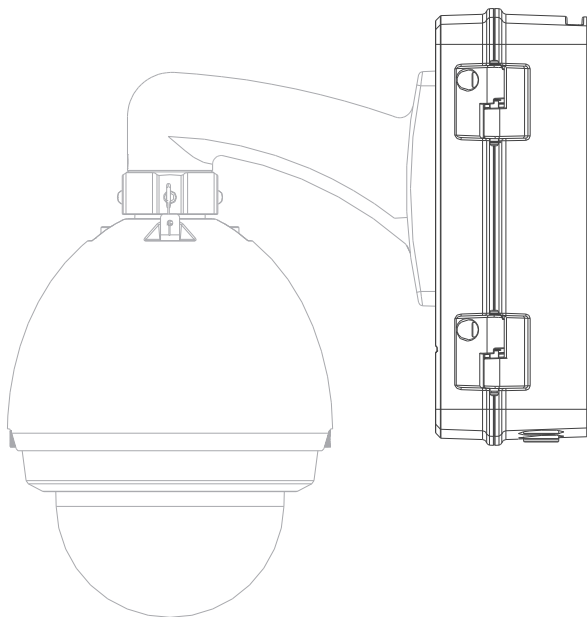
VIP Vision PTZ cameras only. Excludes VSIP2MPPTZ and VSIP2MPPTZC.



Securview Victory Series™ HD Over Coax Cameras

Securview Victory PTZ cameras only.

Product Diagrams



Your professional CCTV surveillance dealer: