

Ceiling/Wall Mount Adapter for PTZ Cameras

Model: VSBKTA114

Technical Specifications

Hanging aluminium connector for PTZ surveillance cameras and ceiling/wall mount brackets.

Model	VSBKTA114
Materials	Aluminium
Dimensions	Ø60 x 50mm
Pipe Thread	1½" PF
Operating Conditions	-40° ~ 60°C / 90% RH (max)
Load Bearing Capacity	N/A
Weather Resistance	N/A
Weight	0.25kg

Product specifications and bracket compatibility are subject to change.



Bracket Compatibility

This bracket is compatible with the following cameras from VIP Vision and/or Securview Victory Series.



VIP Vision™ IP Surveillance Cameras

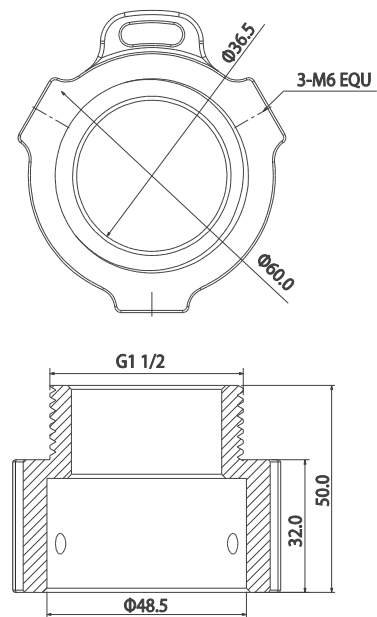
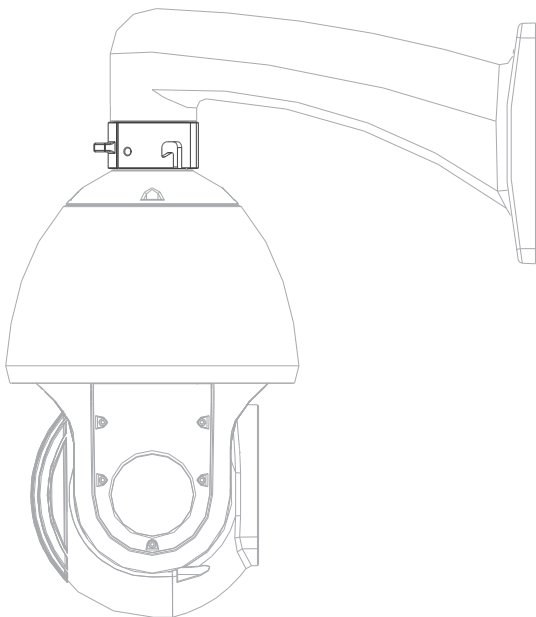
Adapter comes standard with VSIP3MPPTZIRV2.



Securview Victory Series™ HD Over Coax Cameras

VSCV11/2MPPTZIR. Essential for ceiling mount bracket use (VSBKT300C). Not required for standard wall mount bracket.

Product Diagrams



Your professional CCTV surveillance dealer: