

Right Angle Wall Mount Camera Bracket

Model: VSBKTB203W

Powder coated aluminium right angle wall mount bracket for surveillance cameras.

Model	VSBKTB203W
Materials	Aluminium
Dimensions	160 x 122 x 76mm
Pipe Thread	N/A
Operating Conditions	-40° ~ 60°C / 90% RH (max)
Load Bearing Capacity	1.00kg
Weather Resistance	Yes
Weight	0.57kg



Bracket Compatibility

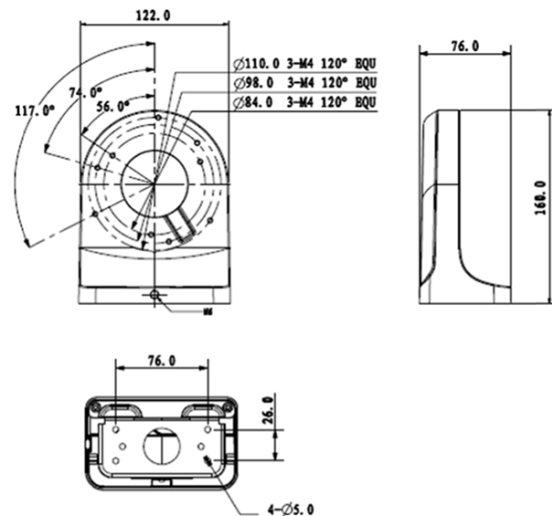
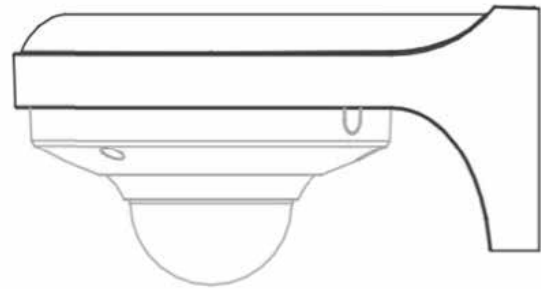
This bracket is compatible with the following cameras from VIP Vision and/or Securview Victory Series.



VSIP4MPFE,
VSIP3MPVDIRM2.8-12,
VSIP4MPVDMINIIR



VSCVI1MPDIRV3,
VSCVI2MPVDIRMV2,
VSCVI2MPVDIRV2,



Additional camera brackets, adapters, junction boxes or connectors may be required for camera compatibility. Please see full bracket compatibility reference for more detail.

Your professional CCTV surveillance dealer: