

# Recessed Ceiling Mount Bracket

Model: VSBKTB200C

Neat and Integrated recessed ceiling mounting bracket

<b>Model</b>	<b>VSBKTB200C</b>
<b>Materials</b>	SECC & PC
<b>Dimensions</b>	Ø166 x 76mm
<b>Pipe Thread</b>	N/A
<b>Operating Conditions</b>	-40° ~ 60°C / 90% RH (max)
<b>Load Bearing Capacity</b>	1.00kg
<b>Weather Resistance</b>	N/A
<b>Weight</b>	0.32kg



## Bracket Compatibility

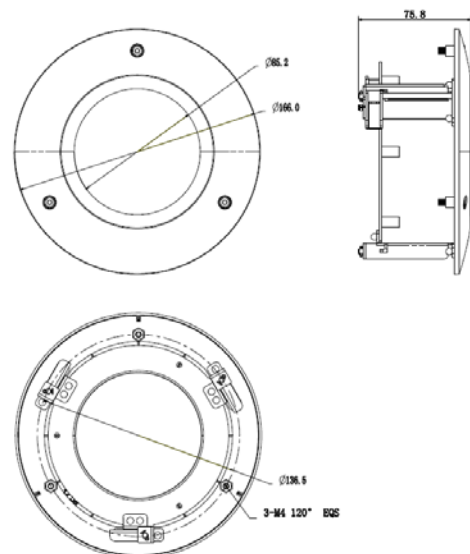
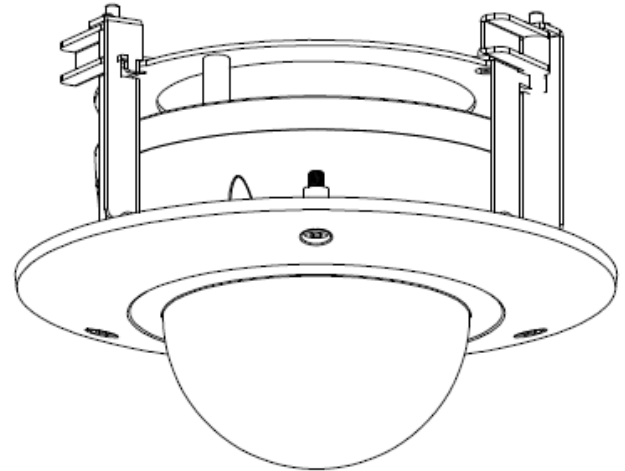
This bracket is compatible with the following cameras from VIP Vision and/or Securview Victory Series.



VSIP3MPVDIRM2.8-12,  
VSIP2MPPTZMINI



VSCVI2MPVDIRMV2



Additional camera brackets, adapters, junction boxes or connectors may be required for camera compatibility. Please see full bracket compatibility reference for more detail.

Your professional CCTV surveillance dealer: