

# Right Angle Wall Mount Camera Bracket

Model: VSBKTB202W

Powder coated aluminium right angle wall mount bracket for surveillance cameras.

<b>Model</b>	<b>VSBKTB202W</b>
<b>Materials</b>	Aluminium
<b>Dimensions</b>	160 x 122 x 76mm
<b>Pipe Thread</b>	N/A
<b>Operating Conditions</b>	-40° ~ 60°C / 90% RH (max)
<b>Load Bearing Capacity</b>	1.00kg
<b>Weather Resistance</b>	Yes
<b>Weight</b>	0.50kg



## Bracket Compatibility

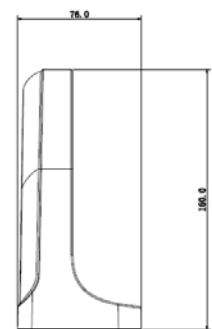
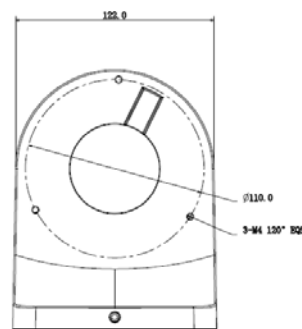
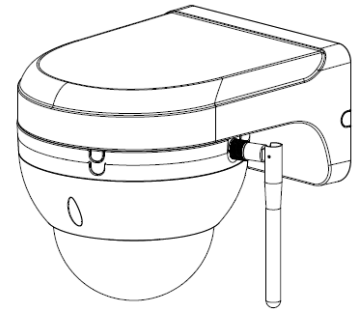
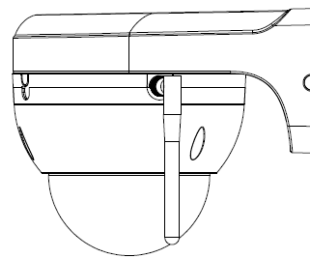
This bracket is compatible with the following cameras from VIP Vision and/or Securview Victory Series.



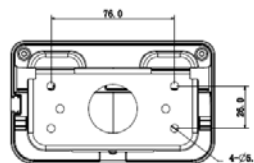
VSIP2MPPTZMINI



No compatible models.



Additional camera brackets, adapters, junction boxes or connectors may be required for camera compatibility. Please see full bracket compatibility reference for more detail.



Your professional CCTV surveillance dealer: