

# Adapter for Ceiling & Wall Mount Brackets

Model: VSBKTA100

## Technical Specifications

Powder coated aluminium adapter to enable camera/bracket connection for ceiling and wall mount brackets.

<b>Model</b>	<b>VSBKTA100</b>
<b>Materials</b>	Aluminium
<b>Dimensions</b>	Ø159 x 35mm
<b>Pipe Thread</b>	G1 1/2"
<b>Operating Conditions</b>	-40° ~ 60°C / 90% RH (max)
<b>Load Bearing Capacity</b>	3.0kg (6.61lb)
<b>Weather Resistance</b>	N/A
<b>Weight</b>	0.24kg

Product specifications and bracket compatibility are subject to change.



## Bracket Compatibility

This bracket is compatible with the following cameras from VIP Vision and/or Securview Victory Series.



### VIP Vision™ IP Surveillance Cameras

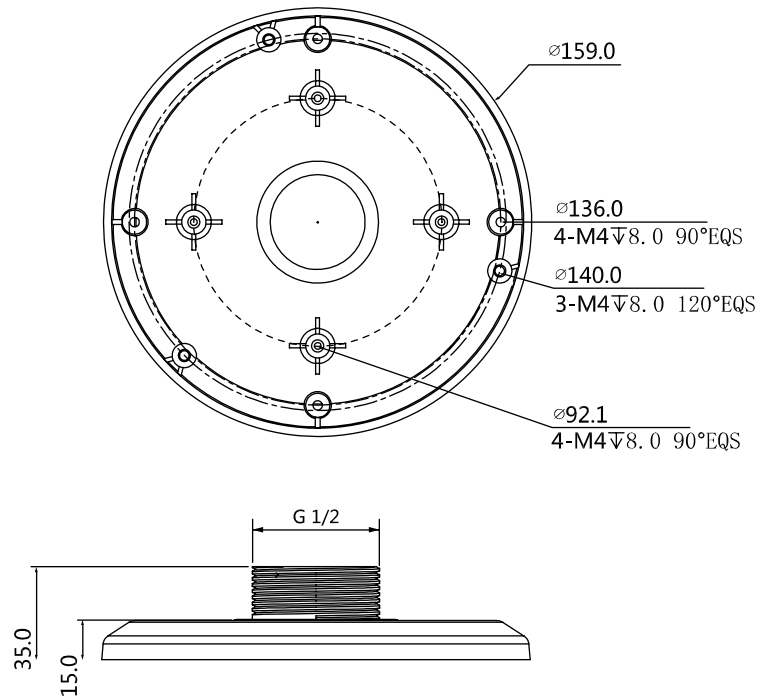
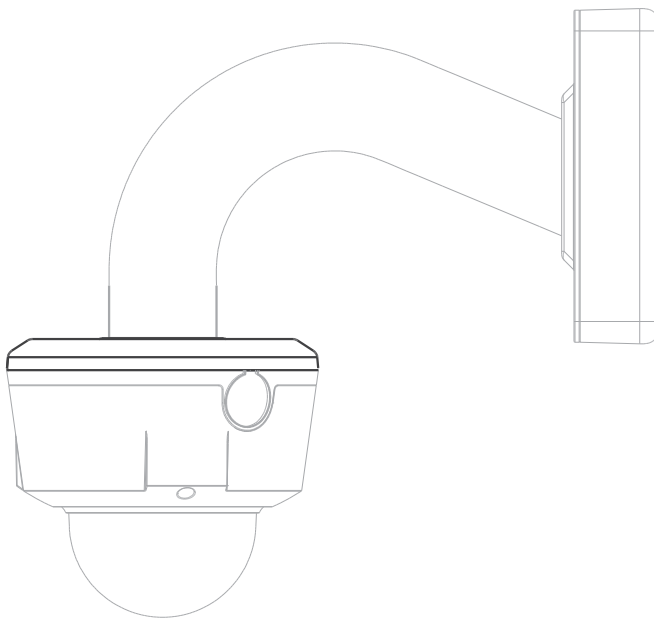
Adapter compatible with VSBKTB300C ceiling mount bracket and VSBKTB302S wall mount bracket.



### Securview Victory Series™ HD Over Coax Cameras

Adapter compatible with VSBKTB300C ceiling mount bracket and VSBKTB302S wall mount bracket.

## Product Diagrams



Your professional CCTV surveillance dealer: