

# Ultimate Series 1080p Motorised HDCVI Dome

Model: VSCVI2MPVDIRM30M

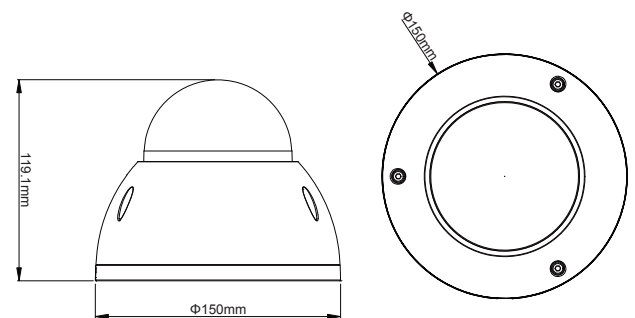


Model	VSCVI2MPVDIRM30M
<b>General</b>	
Camera Style	Vandal Resistant Dome
Image Sensor	1/2.8" 2.4 Megapixel CMOS
Effective Pixels	1984 (H) x 1225 (V)
Signal Noise Ratio	> 50dB
<b>Camera</b>	
Lens	2.7 ~ 12mm Motorised Lens; Auto Iris
Angle of View	93° (wide) ~ 35° (tele)
Electronic Shutter	1/3 ~ 1/100,000s
Minimum Illumination	0.05 Lux at F1.2 (Colour) / 0 Lux IR Active
Day/Night	Auto (ICR) / Colour / B&W
White Balance	Auto
Noise Reduction	2D / 3D
Gain Control	Auto
Backlight Compensation	BLC
Audio Input	1 channel in
Transmission Distance	Over 500m via 75-3 coaxial cable
Synchronisation	Internal
OSD Menu	Support
Alarm Interface	1 channel in / 1 channel out
<b>Video</b>	
Video Compression	H.264 / MJPEG
Resolution	1080p (1920 x 1080) to CIF (352 x 288)
Frame Rate	25fps (1080p and lower)
Video Output	BNC CVI HD output / CVBS SD output (switchable)
<b>Environment</b>	
Ingress Protection	IP66
Vandal Resistant	IK10
Maximum Infrared Range	50m
Power Input	12VDC / 24VAC
Power Consumption	< 8.4W
Dimensions	Ø150 x 119mm
Weight	0.80kg
Operating Environment	-30° to 60°C / RH95% (max)
<b>Product Diagram</b>	

Experience unparalleled performance and ease of use with the Ultimate Series from Securview, with auto-iris motorised lens, dual voltage support and up to 500m Full HD video transmission.

## Camera Features

- Streams Full HD 1080p/2.0MP (1920 x 1080)
- Motorised 2.7 ~ 12mm lens, auto iris
- 93 ~ 35° horizontal viewing angles
- Up to 500m HD video transmission over coax
- Infrared illumination up to 50m
- IP67/IK10 for weather & vandal resistance
- HD/SD switchable output for analogue DVRs
- Dual voltage compatible: 12VDC and 24VAC
- Alarm and audio I/O interface
- Digital WDR & 3D noise reduction



## Compatible Accessories

Accessories sold separately, additional adapters may be required.



VSBKTA100

VSBKTB302S

VSBKTB300C

VSBKTA132

VSBKTA152

Your local Securview™ professional: