



Complete 360° AI coverage.

Fisheye AI Series: 360° Fisheye IP Camera with AI people counting in 12.0MP

The Fisheye AI Series 360° dome performs the duties of multiple cameras, with the powerful benefit of AI-powered people counting, queue management and heat mapping. Receive alerts when a certain number of people enter an area with queue management or set up heat map to observe the amount of time spent in areas.

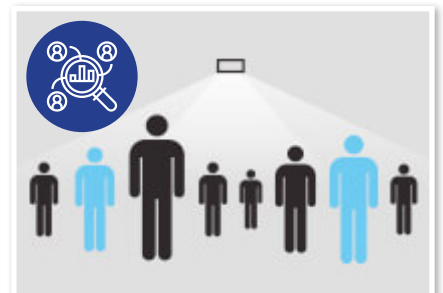
- Stream up to 12.0MP (4000 x 3000) at 25fps
- Circular fisheye lens with 360° viewing angle
- Dewarp modes* for ceiling, floor & wall mounting
- Virtual PTZ, panorama, & camera split dewarp modes
- Up to 10m infrared range; true day/night (auto ICR)
- AI-enhanced people tracking for real-time alerts, statistics and business analytics
- Heat map, queue management & regions of interest
- MicroSD card slot for edge recording up to 128GB
- IP67 weather & IK10 vandal resistant housing




Superb Image Performance



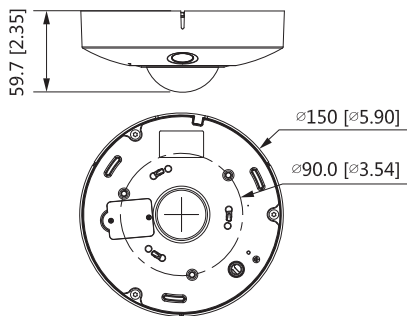
Fisheye Image Dewarp Modes

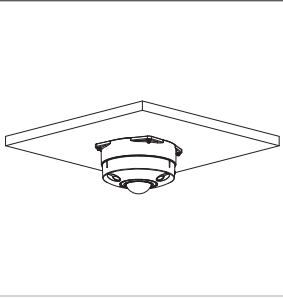
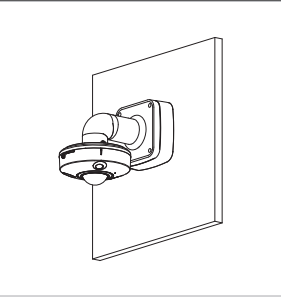
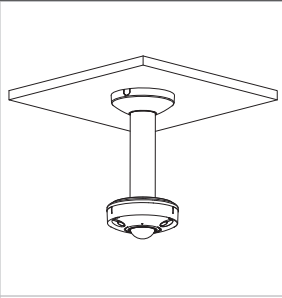


AI-Enhanced People Counting

Specifications		12.0MP 360° Fisheye with AI People Counting	
Model	Product Image		
	Ordering Information	VSIPFE-12IR-I	
Camera	Image Sensor	1/1.7" 12.0MP Progressive Scan CMOS	
	Effective Pixels	4000 (H) x 3000 (V)	
	RAM / ROM	4GB / 4GB	
	Min Illumination	0.001 Lux/F2.0 (colour 1/3s), 0.01 Lux/F2.0 (colour 1/30s), 0 Lux/F2.0 (IR on)	
	S/N Ratio	49.7dB	
	Infrared System	3 x Infrared LED, 10m range	
Lens	Lens / Iris	1.85mm F2.0 Fixed Focal Lens with Fixed Aperture	
	Field of View	Horizontal: 185°, Vertical: 180°	
	Focus	Fixed	
	DORI	Detect (25px/m): 40m / Observe (63px/m): 16m / Recognise (125px/m): 8m / Identify (250px/m): 4m	
Video	Resolution	12.0MP (4000 x 3000) to CIF (352 x 288)	
	Frame Rate	Main	12.0MP (1 ~ 25fps)
		Sub	D1 (1 ~ 25fps)
		Third	D1 (1 ~ 25fps)
	Video Compression	H.265, H.264, H.264H, H.264B, MJPEG	
	Bit Rate	H264: 88Kbps-16384Kbps ;H265: 52Kbps-16384Kbps	
	Bit Rate Control	Constant bit rate (CBR) / Variable bit rate (VBR)	
	Day/Night	N/A	
	Lighting Compensation	DWDR	
	Smart Scene Adaptive	N/A	
	White Balance	Auto / Natural / Street Lamp / Outdoor / Manual / Regional Custom	
	Gain Control	Manual	
	Noise Reduction	3D DNR	
	Dewarping Modes	Original (no dewarp) / Panoramic / Double Panoramic / Virtual PTZ / Original + 3 split, + 4 split, + 8 split Check the Supported NVR specification to see if Fisheye Dewarping is supported by that NVR model	
IVS	Intelligent Functions	Intrusion, Tripwire, Region of Interest (4 zones), Privacy Masking (4 zones) Smart Infrared, Heat Map	
	People Counting	Queue Management (Triggers alarm when designated amount of people enters zone, 4 zones), Heat Mapping (Number of people and time spent)	
Network	Ethernet	RJ-45 (10/100Base-T)	
	Protocol	HTTP, TCP, ARP, RTSP, RTP, UDP, RTCP, SMTp, FTP, DHCP, DNS, DDNS, PPPoE, IPv4/v6, SNMP, QoS, UPnP, NTP	
	Streaming Method	Unicast / Multicast	
	Max. User Access	20 Users	
Interface	Video Interface	N/A	
	Audio Interface	1 Channel Input (RCA), 1 Built-in Mic / 1 Channel Output / Audio Compression: G.711A, G.711Mu, G726, AAC	
	Alarm Interface	2 Channel Input / 2 Channels Output	
	RS485	N/A	
	Edge Storage	MicroSD Card (up to 256GB) / FTP	
	Interoperability	ONVIF (Profile S / Profile G), GB/T28181, CGI	
Environmental	Power Supply	12VDC / PoE	
	Power Consumption	<9.2W (12VDC) / <12.9W (PoE)	
	Operating Conditions	-30°C to +45°C, ≤95% RH	
	Ingress Protection	IP67	
	Vandal Resistance	IK10	
	Housing	Metal + Plastic	
	Pan/Tilt/Rotation	N/A	
	Dimensions	Ø150mm x 60mm	
Net Weight	0.77kg		

Application



		
Junction Mount VSBKTA132-E	Ceiling Mount VSBKTA100 +VSBKTB300C	Wall Mount VSBKTB302S