



# WGAP864 Alarm Panel

## Quick Installation Guide



**Thank you for purchasing this Alarm Panel.**

This install guide covers basic setup, installation and use of your alarm system.

For detailed technical support and software downloads, visit our Help Centre at:

[help.c5k.info](http://help.c5k.info)



[help.c5k.info](http://help.c5k.info)

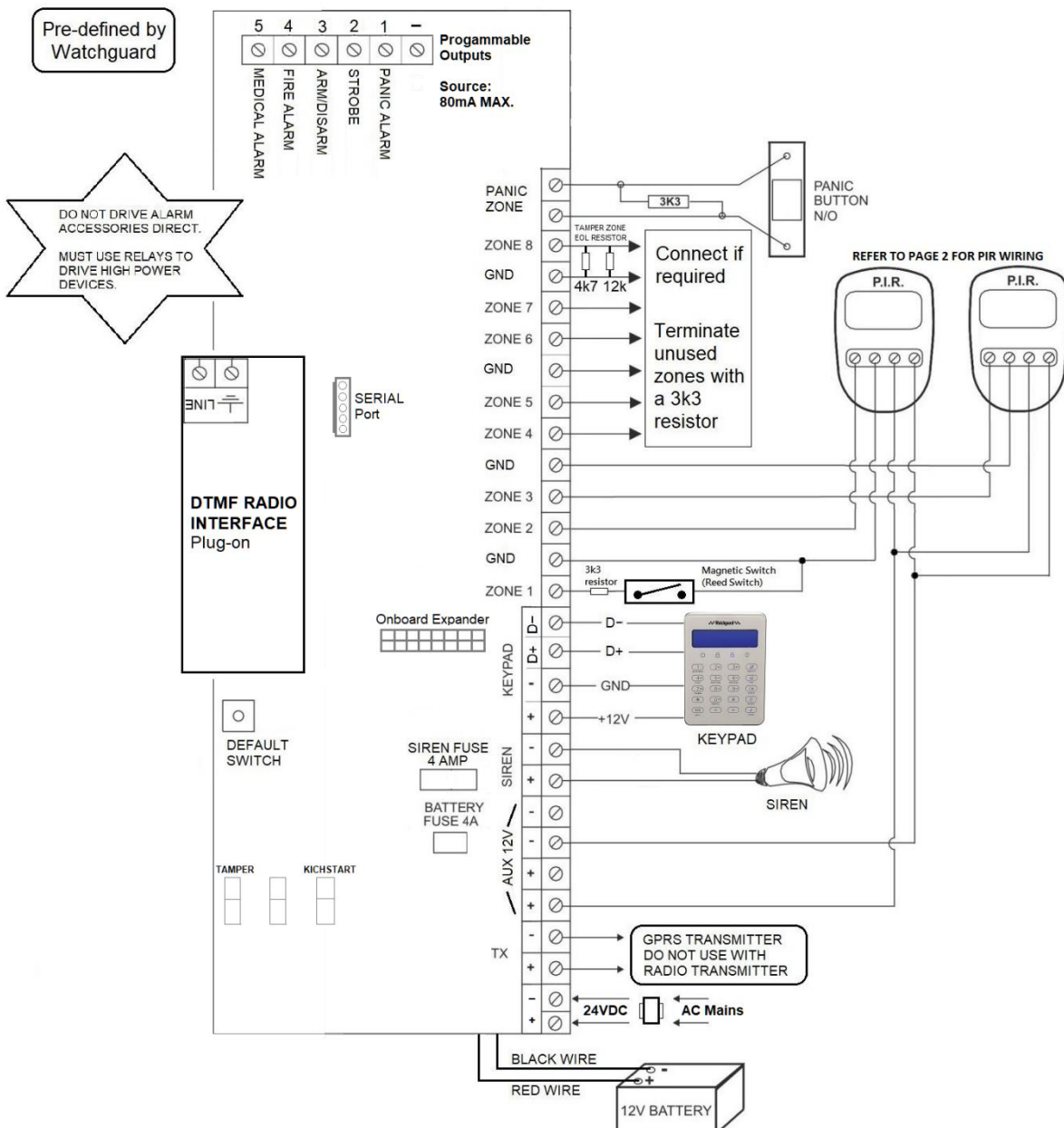
# Introduction

WGAP864 is a professional alarm panel. It covers hundreds of features and thousands of installation combinations. This Quick Installation Guide summarizes the most commonly used features for installers. Please refer to the Installer Manual for those functions not mentioned in this guide for more detailed information.

## Hardware Installation

EOL (End-Of-Line) resistor: End-Of-Line resistor has to be installed so that the electrical current will complete a loop from the alarm panel zone input to the sensor. The alarm panel monitors the current flow through the loop. If someone tries to tamper by cutting or shorting circuit the loop wiring, the alarm panel will detect the current change and will trigger the alarm panel.

- For normal zones, the EOL resistor is 3k3 ohm.
- For tamper zones, the EOL resistor is 4k7 ohms for the sensor output and 12K ohms for the tamper switch. The combined resistance of the two completed circuits is approx. 3k3 ohms.

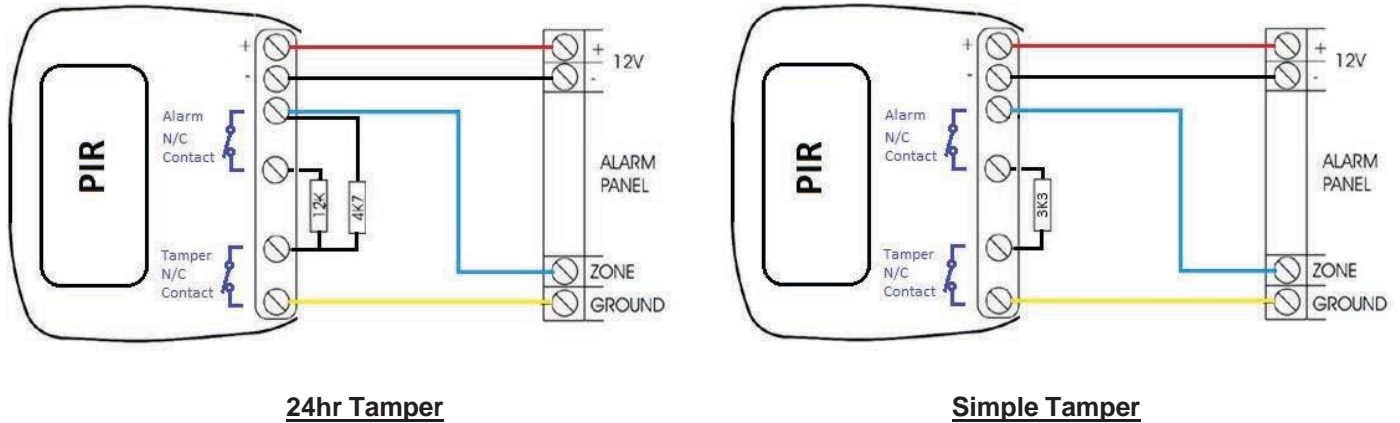


## PIR Wiring

When wiring PIR sensor's to the WGAP864 Alarm Panel, there are 2 different methods:

- **24hr Tamper:** Zone tamper using 4k7 and 12K resistors allows individual zones to identify tamper or alarm events.
- **Simple Tamper:** Simple tamper will identify both tamper and alarm events as alarm events. When using this method there is no way to identify one event from the other.

**Note:** When using a PIR with built in resistance jumpers, remove them if you are using external resistors.



## Warm Up

### Keys

**Key \*:** Functions as <ENTER>.

**Key #:** Functions as "Go back/Exit".

### Beeps

**Short beep:** A key is pressed.

**One long beep:** The input is valid and is accepted by the system.

**Three short beeps:** The input is invalid and is rejected by the system.

### Installer Menu

With alarm panel in disarm state, enter **[Installer Code] [\*]** to enter installer menu. The LCD will show:

```
INSTALLER MENU
Location: ***
```

To go back to previous menu, press **[#]**

The standard format to input data to a location is:

**[Installer Code] [\*] [Location number] [\*] [Data] [\*] [#]**

The system will exit the installer menu and go back to home screen when **[#]** is pressed. However, you can also enter location and data continuously without having to exit installer menu for every entry. Press **[#]** to exit to installer menu after the last data is entered.

For example:

**[Installer Code] [\*] [Location number 1] [\*] [Data 1] [\*] [Location number 2] [\*] [Data 3] [\*] [Location number 3] [\*] [Data 3] [\*]... [#]**

# Watchguard Pre-delivery Configuration

## User Codes

Installer Code	1479
<b>User 1 (Master Code)</b>	<b>1835</b>
User 2	7925
User 3	8462
User 4	3621
User 5	0528

## Time and Delay

Primary Entry Delay	30 sec.
Primary Exit Delay	30 sec.
Siren Timeout	2 min.
Daylight Savings	Disabled

We'll use the default codes in this quick guide for simplicity. Installer/maintainer should change the codes after the installation has been finished successfully.

**IMPORTANT NOTE:** If factory reset is performed, all the Watchguard Pre-delivery Configuration will be erased. The Installer code is 9999 and the Master code is 1234.

## Zone Types

Zone	Zone Type
Zone 1	Primary Entry/Exit
Zone 2	Follower - 02
Zone 3	Instant - 04
Zone 4	Instant - 04
Zone 5	Instant - 04
Zone 6	Instant - 04
Zone 7	Instant - 04
Zone 8	Instant - 04

## Programmable Outputs (LOCATION 390-414)

Zone	Signal
Output 1	PANIC: HIGH for 2 sec.
Output 2	STROBE: HIGH for 2 sec.
Output 3	ARM: HIGH / DISARM: LOW
Output 4	FIRE: HIGH for 2 sec.
Output 5	MEDICAL: Disable

## Trouble Display (Location 16)

Data	Action	Default
1	AC Fail Trouble Display	ON
4	On-board Siren Monitor Trouble Display	
5	Low Battery Monitor Trouble Display	
6	Aux. 12V Monitor Trouble Display	
8	Box Tamper trouble display	
9	Bus-wired Peripheral Tamper Trouble Display	
10	Bus-wired Peripheral Fail Trouble Display	
12	Wireless Detector Battery Trouble Display	
13	Wireless Detector Supervision Trouble Display	
14	Wireless Receiver Jam Trouble Display	
15	Wireless Detector RSSI Trouble Display	
16	Zone Tamper Trouble Display	

# Setup & Usage

## Step 1: Registering a Keypad

After all wiring has been completed, power up the control panel. If a keypad is un-registered, the second line of the LCD will show “Unreg”. You need to register the keypad first.

1. Press the [#] key.
2. Wait for about 2 seconds.
3. An ID will be assigned to the keypad the registered ID number will be shown on the LCD.
4. Register all “Un-reg” keypads.

## Step 2 - Setting Date and Time

Must do this BEFORE proceeding to Step 4 because the keypad keeps reminding you to set up date and time.

1. Press and hold the \* button to enter the “User Menu”
2. When you see:

User Menu  
Master Code + \*

Enter: **1835\* 40\* [hhmm]\* 41\* [ddmmyy]\* #**

Where **hh**=hour in 24-hour format (00-23), **mm**=minute (00-59),  
**ddmmyy**=day (01-31), month (01-12) and year (01-12) respectively

*Note: hh, mm, dd, mm, yy must be two-digit, for example, 4/8/2018 should be inputted as: 040818.*

## Step 3 - Setting Daylight Saving Information (Location 25-31)

**For Queensland, the Northern Territory and Western Australia: (Disable Daylight saving)**

Enter: **1479\* 25\* 0\* 28\* 0\* #**

Explanation: This sequence set location 25 to 0 and location 28 to 0.

**1479\*** is used to enter INSTALLER MENU, # at the end is used to exit the INSTALLER MENU.

**For New South Wales, Victoria, South Australia, Tasmania, and the Australian Capital Territory:**

Enter: **1479\* 25\* 10\* 26\* 7\* 27\* 1\* 28\* 4\* 29\* 7\* 30\* 1\* 31\* 60\* #**

Explanation: See table below.

**1479\*** is used to enter INSTALLER MENU, # at the end is used to exit the INSTALLER MENU.

Location	Field	Value
25	Daylight Start Month	10 (October)
26	Daylight Start Day	7 (Sunday)
27	Daylight Start Week	1 (First week)
28	Daylight End Month	4 (April)
29	Daylight End Day	7 (Sunday)
30	Daylight End Week	1 (First week)
31	Daylight Offset	60 (60 minutes)

The LCD will show “Updating Panel Please Wait...” and exit the installer menu.

## Step 4 - Exit Delay (Location 230)

Default value: 30 seconds. Ignore if don't need to change.

Enter: 1479\* 230\* [Partition Number]\* [mmss] \*##

Example: 1479\* 230\* 1\* 0100\* ## sets exit delay of Partition 1 (Zone1-8) to 1 minute 0 seconds.

## Step 5 - Primary Entry Delay (Location 231)

Default value: 30 seconds. Ignore if don't need to change.

Enter: 1479\* 231\* [Partition Number]\* [mmss] \*##

Example: 1479\* 231\* 1\* 0100\* ## sets entry delay of Partition 1 (Zone1-8) to 1 minute 0 seconds.

## Step 6 - Setting Siren Time Out Period (Location 17)

Default value: 2 minutes. Ignore if don't need to change.

Enter: 1479\* 17\* [Siren Time]\* [mmss] \*#

Example: 1479\* 17\* 0130\* # sets siren time to 1 minute 30 seconds.

**Warning:** It is an offence for an intruder alarm to be heard in any neighbouring residence when it sounds for more than 5 minutes if installed on or after 1 December 1997 NSW.

## Step 7 - Setting Zones Types (Location 1)

There are 8 zones for each partition. We use partition 1 in this example; settings for other partitions are similar. The pre-delivery values of the zones is shown below. It should satisfy most installations.

Zone (Sub-location)	Default Value	Zone Type
1	01	PRIMARY ENTRY/EXIT ZONE
2	02	FOLLOWER ZONE
3	04	INSTANT ZONE
4	04	INSTANT ZONE
5	04	INSTANT ZONE
6	04	INSTANT ZONE
7	04	INSTANT ZONE
8	04	INSTANT ZONE

If necessary, installers can also change the zone type. Please refer to the table on the next page for the value of different zone types.

The input format is: **[Installer Code] [\*] [1] [\*] [Zone Number] [\*] [Zone Type] [\*]...[#] [#]**

Zone Type	Value
DISABLED	0
PRIMARY ENTRY/EXIT ZONE	1
FOLLOWER ZONE	2
PANIC/PRIORITY ZONE	3
INSTANT ZONE	4
ARM/DISARM ZONE	5
SECONDARY ENTRY/EXIT ZONE	8

Zone Type	Value
Instant Fire Zone(New)	9
FIRE ZONE	10
TAMPER ZONE	11
24 HOUR ALARM ZONE	12
WARNING ZONE	13
PUSH TO ARM ZONE	14
OUTDOOR INSTANT ZONE	15

For example, if you don't need follower zone and zone 7 and 8 are not used, you can change Zone 2 (default Follower Zone) to instant zone and disable zone 7 and 8.

Enter **1479\* 1\* 2\* 4\* 7\* 0\* 8\* 0\***  
and then press **# #** to exit installer menu.

Explanation:

1479*	1*	2*	4*	7*	0*	8*	0*
Installer code	Location 1 (Zone types)	Zone 2	Instant Zone	Zone 7	Disable	Zone 8	Disable



# Step 8 - Managing User Codes

There are 128 user codes. We suggest to use up to 5 user codes (Master Code + User 2 - 4) because the user code must be unique for each user, if there are too many users, it will be more difficult for administration. There are some pre-defined user codes:

Code Type	Default Value	Privileges
Normal User Code (User 2-5)	7925, 8462, 3621, 0528	Arm/Disarm alarm panel
Master Code	1835 or 183556	Arm/Disarm alarm panel Full access to programming all the user options.
Maintenance Code	8888 or 888888	Similar to Installer but limited access to installer menus.
Installer Code	1479 or 147999	Full access to all installer mode menus

### Adding User Code

Press and hold \* button to enter User Menu.

When you see:	Action
Master Code + *	Enter <b>1835*</b>
Add User Code	<b>0*</b>
New Code + *	Input the new user code. All users must have different code. <b>[New User Code 1] *</b> After that a short beep will be heard to indicate user code is added successfully.
New Code + *	<b>[New User Code 2] * ... etc.</b>
New Code + *	Press <b>##</b> to exit User Menu

Example: Add user codes 1037 and 8571  
[\* HOLD ] 1835\* 0\* 1037\* 8571\* ##

### Editing User Code

Press and hold \* button to enter User Menu.

When you see:	Action
Master Code + *	Enter <b>1835*</b>
Add User Code	<b>1*</b>
Old Code + *	Input the old user code you want to change. <b>[Old User Code] *</b>
New Code + *	Input the new user code. <b>[New User Code] *</b>
Old Code + *	Press <b>##</b> to exit User Menu

Example: Change user codes 6567 to 3721  
[\* HOLD ] 1835\* 1\* 6567\* 3721\* ##

### Deleting User Code

Press and hold \* button to enter User Menu.

When you see:	Action
Master Code + *	Enter <b>1835*</b>
Add User Code	<b>2*</b>
User Code + *	Input the user code you want to delete. <b>[User Code] *</b>
User Code + *	Press <b>##</b> to exit User Menu

Example: Delete user codes 1567 and 2450.  
[\* HOLD ] 1835\* 2\* 1567\* 2450\* ##

### Deleting All User Codes (Location 0, Value 2)

Press and hold \* button to enter User Menu.

[\* HOLD ] 1835\* 1\* 6567\* 3721\* ##

All user codes will be cleared and Master Code (User Code 1) will reset to 1234 or 123456.

## Step 8 - Managing User Codes (cont.)

The Pre-delivery outputs are defined as follow:

Alarm Type	Output
Panic Alarm	Output 1 - Pulse high for 2 seconds
Burglary Alarm	Output 2 - Pulse high for 2 seconds
Close Programmable Output Event Open Programmable Output Event	Output 3 - Set High Output 3 - Set Low
Fire Alarm	Output 4 - Pulse high for 2 seconds
Medical Alarm	Output 5 - Pulse high for 2 seconds

A relay must be used when any device requiring a current greater than 50mA is connected to the programmable output. The programmable output is a current sink circuit with a maximum output voltage of 13.6VDC and a maximum output current of 50mA. Programmable outputs are primarily connected to trigger external device inputs but not to drive external devices. The Watchguard Relay Board (P/N: WGAPARB) must be used for connecting, LEDs, sirens, bus-wired peripherals, etc.

There are many locations and values for setting the programmable outputs. Please read Installer Manual for more detailed information.

## Optional Settings

**Skip steps 9 to 11 if not using a dialer.**

### Step 9 - Setting Account Codes (Location 61 - Partition 1)

Input a 4-digit account number for the control centre.

Enter **1479\* 61\* [ACCOUNT NUMBER]\* #**

### Step 10 - Setting Phone Numbers (Location 51-54)

Up to 4 telephone numbers can be stored. Installers can press # to exit INSTALLER MENU at anytime without having the need to set up all 4 phone numbers.

Enter **1479\* 51\* [TELEPHONE NUMBER 1]\*  
52\* [TELEPHONE NUMBER 2]\*  
53\* [TELEPHONE NUMBER 3]\*  
54\* [TELEPHONE NUMBER 4]\*  
# (exit INSTALLER MENU)**

## Step 11 - Setting Communication Delay and Number of Dial Attempts Numbers

By default, the alarm panel will dial the phone numbers stored at location 51-54(Telephone Number 1-4) after 20 seconds when it is triggered. It attempts to dial maximum of 6 times. If the alarm condition is cancelled within this time, it will not report. If you want to change these parameters, follow the steps below:

### Setting Communication Delay

Enter 1479\* to enter the installer menu.

When you see:	Action
INSTALLER MENU Location:***	Enter <b>45*</b>
Comms Delay Update Time: (Current Setting)	Input the new communication delay in <b>mm:ss</b> format and press * <b>mm</b> =minute, <b>ss</b> =second e.g. If we want to change the delay to 30 seconds, enter: <b>00:30*</b>
INSTALLER MENU Location:***	Press <b>#</b> to exit setting

### Setting Number of Dial Attempts Numbers

Enter 1479\* to enter the installer menu.

When you see:	Action
INSTALLER MENU Location:***	Enter <b>47*</b>
Dial Attempts Update Data: (Current Setting)	Input the Number of Dial Attempts Numbers and press * e.g. To set 5 attempts, enter: <b>5*</b> Valid range of data: 1 – 9, with 0 to disable.
INSTALLER MENU Location:***	Press <b>#</b> to exit setting

## Step 12 - Changing the Installer Code (Location 197)

**Caution:** After changing the installer code, this new code must be used to administer the panel – if the code is lost, the panel must be defaulted, and all configurations will be lost.

Enter **1479\* 197\* [New Installer Code] \* #**



For detailed technical support and software downloads,  
visit our Help Centre at: [help.c5k.info](https://help.c5k.info)

All products, designs and software may be subject to change without prior written notice. Information, layout and graphics presented in this guide are the property of their respective owners.

See [www.c5k.info](https://www.c5k.info) for more information.