

Camera Quick Install Guide



DIR Series

Available in 1.0MP, 2.0MP and 4.0MP variants.

Thank you for purchasing a DIR Series CCTV Surveillance Camera.

This Quick Install Guide covers basic setup, installation and use of your surveillance system.

For the full user manual, instructional videos, tips on using your surveillance system & warranty information, please visit: <http://www.securview.biz/>

Applicable Models

VSCVI4MPDIR	4.0MP Fixed HDCVI Mini Dome
VSCVI4MPDIR2.8	4.0MP Fixed HDCVI Mini Dome (2.8mm)
VSCV1MPDIRV4	1.0MP Fixed HDCVI Mini Dome
VSCV2MPDIRV4	2.0MP Fixed HDCVI Mini Dome

Important Safeguards and Warnings

Electrical safety

- All installation and operation here should conform to your local electrical safety codes.
- Check if the power supply is correct before operating the device.
- The power shall conform to the requirement in the SELV (Safety Extra Low Voltage) and the Limited power source is rated DC 12V or AC 24V in the IEC60950-1. (Power supply requirement is subject to the device label).
- Install easy-to-use device for power off before installing wiring, which is for emergent power off when necessary.
- Prevent the line cord from being trampled or pressed, especially the plug, power socket and the junction.
- **Note: Do not connect these two power supplying sources to the device at the same time; it may result in device damage!**
- We assume no liability or responsibility for all the fires or electrical shock caused by improper handling or installation.
- We are not liable for any problems caused by unauthorized modification or attempted repair.

Environment

- Don't aim device at strong light (such as lighting, sunlight and so on) to focus; otherwise it may cause overexposure (It is not the device malfunction), which will affect the longevity of CCD or CMOS.
- Transport, use and store the device within the range of allowed humidity and temperature.
- Don't keep the device in a place which is wet, dusty, extremely hot, and extremely cold and with strong electromagnetic radiation or unstable lighting.
- Do not allow water and other liquid falling into the camera in case that the internal components are damaged.
- Do not allow rain or damp to the indoor device in case fire or lightning may occur.
- Keep the sound ventilation in case of heat accumulation.
- Pack the device with standard factory packaging or material with same quality when transporting the device.
- Heavy stress, violent vibration or water splash are not allowed during transportation, storage and installation.

Warning

- Modify the default password after login in order to avoid being stolen.
- Use the standard accessories provided by manufacturer and make sure the device is installed and fixed by professional engineers.
- Prevent the device surface from the radiation of laser beam when using laser beam device.
- Do not provide two or more power supply modes for the device, otherwise it may cause damage to the device.

Statement

- Refer to the actual product for more details; the manual is just for reference.
- The manual will be regularly upgraded according to the product update; the upgraded content will be added in the manual without prior announcement.
- Contact the supplier or customer service if there is any problem occurred when using the device.
- Contact the customer service for the latest procedure and supplementary documentation.
- There may be deviation between the actual value of some data and the value provided in the manual due to the reasons such as the real environment is not stable and so on. Refer to the company's final explanation if there is any doubt or dispute.
- The company is not liable for any loss caused by the operation which is not followed by the manual.

Operation and Daily Maintenance

- Do not touch the heat dissipation component of the device directly in order to avoid scald.
- Do not dismantle the device; there is no component which can be fixed by users themselves in the machine. It may cause water leakage or bad image for the device due to unprofessional dismantling. Please contact after-sale service to replace desiccant if it becomes green.
- It is recommended to use the device with thunder proof device in order to improve thunder proof effect.
- The grounding holes of the product are recommended to be grounded to further enhance the reliability of the camera.
- Do not touch the CCD (CMOS) optic component directly. You can use the blower to clean the dust or dirt on the lens surface. Please use a dry cloth wet by alcohol to wipe away the dust gently if it is necessary to clean.
- Always use the dry soft cloth to clean the device. If there is too much dust, please use the water to dilute the mild detergent first and then use it to clean the device. Finally use the dry cloth to clean the device. Don't use volatile solvent like alcohol, benzene, thinner and etc or strong detergent with abrasiveness, otherwise it will damage the surface coating or reduce the working performance of the device.
- Dome cover is an optical device, please don't touch or wipe cover surface directly during installation and use, please refer to the following methods to deal with once dirt is found:
 - Stained with dirt
 - Use oil-free soft brush or hair dries to remove it gently.
 - Stained with grease or fingerprint
 - Use soft cloth to wipe the water drop or oil gently to make it dry, then use oil-free cotton cloth or paper soaked with alcohol or detergent to wipe from the lens center to outward. It is ok to change the cloth and wipe several times if it is not clean enough.

FCC Information

1. FCC conditions
 - This device complies with part 15 of the FCC Rules. Operation is subject to the following two conditions:
 - This device may not cause harmful interference;
 - This device must accept any interference received, including interference that may cause undesired operation.
2. FCC compliance
 - This equipment has been tested and found to comply with the limits for a digital device, pursuant to part 15 of the FCC Rules. These limits are designed to provide reasonable protection against harmful interference. This equipment generates uses and can radiate radio frequency energy and, if not installed and used in accordance with the instruction manual, may cause harmful interference to radio communication. However, there is no guarantee that interference will not occur in a particular installation. If this equipment does cause harmful interference to radio or television reception, which can be determined by turning the equipment off and on, the user is encouraged to try to correct the interference by one or more of the following measures:
 - Reorient or relocate the receiving antenna.
 - Increase the separation between the equipment and receiver.
 - Connect the equipment into an outlet on a circuit different from that to which the receiver is connected.
 - Consult the dealer or an experienced radio/TV technician for help.

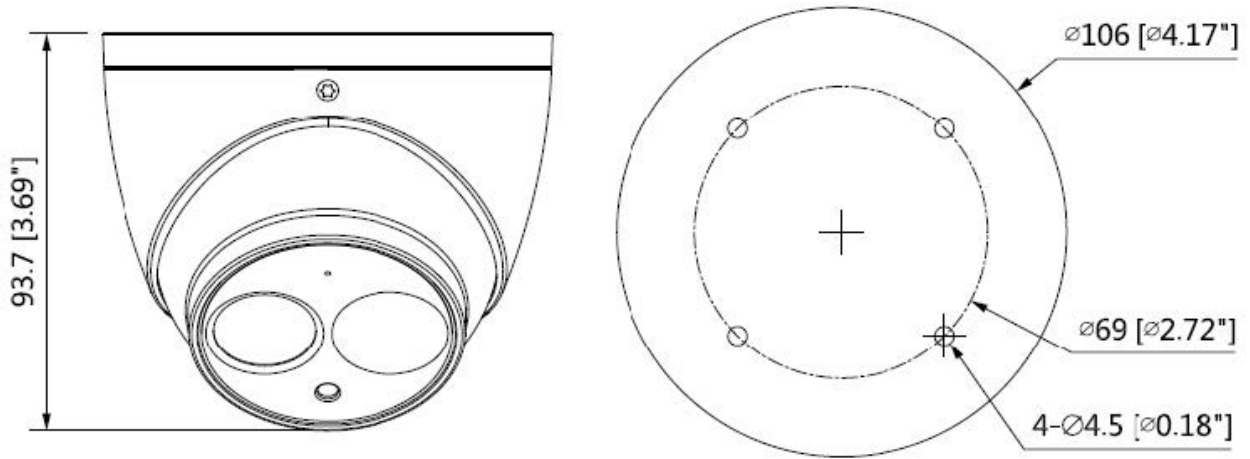
Note: Refer to the disk for more details, check and download corresponding user's manual and tool. Before installation, please open the package and check all the components are included. Contact your local retailer ASAP if something is broken in your package

Pre-install information

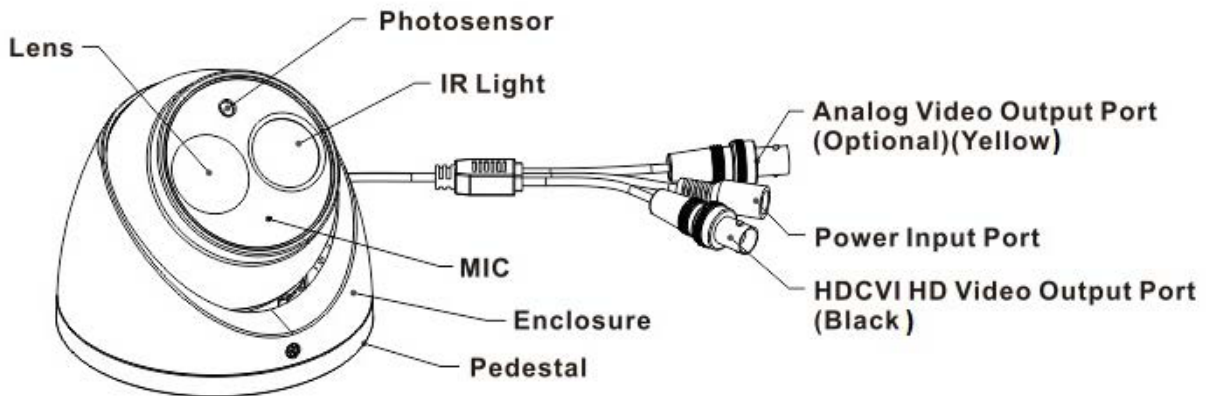
Included components

1 x	DIR Series HDCVI Camera
1 x	Quick Start Guide
1 x	Installation Accessories Bag: <ul style="list-style-type: none"> • Position installation map • Expansion bolts • Self-tapping screws
1 x	CD

Dimensions



Device framework

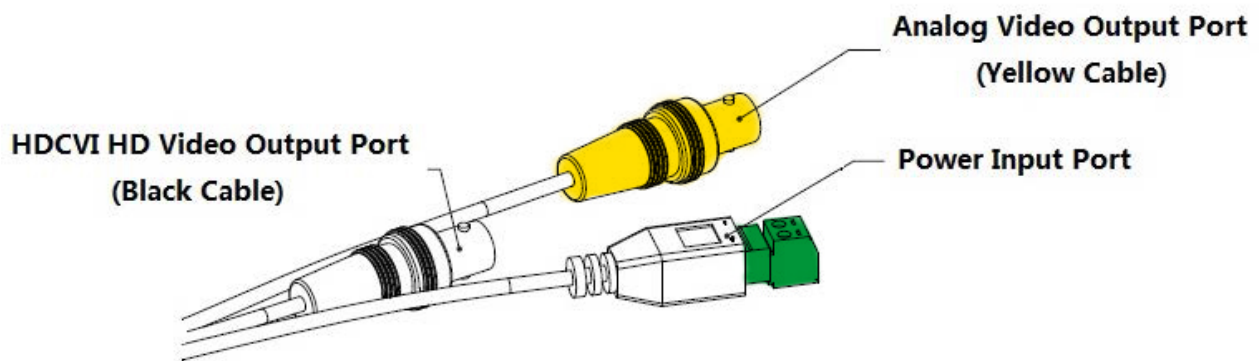


Connection ports

Cable Colour	Name	Function
Green	Power input port	12VDC or 24VAC input
Yellow	Analog video output port	Output analog SD video signal
Black	HDCVI video output port	Coaxial transmission of video, audio signal, it need to connect to back-end HCVR to control.

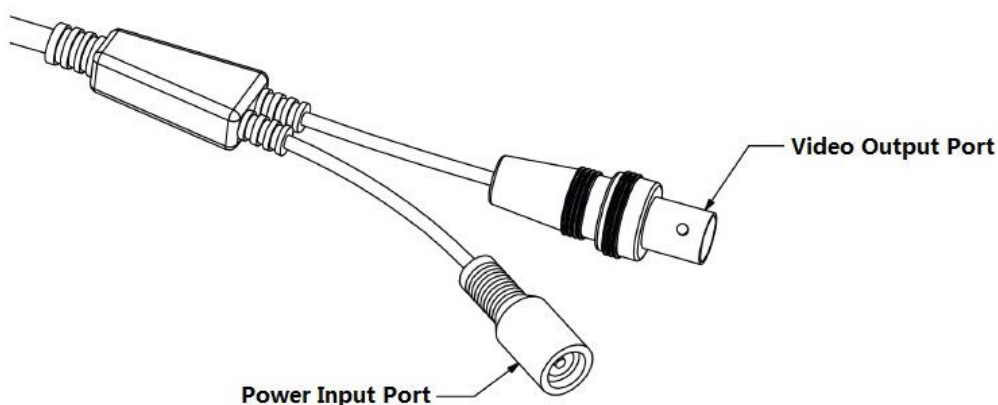
Dual video input & 12VDC/24VAC power models

Camera models with dual power use the cable structure shown in the image above; the power input port supports 12VDC or 24VAC power supply.



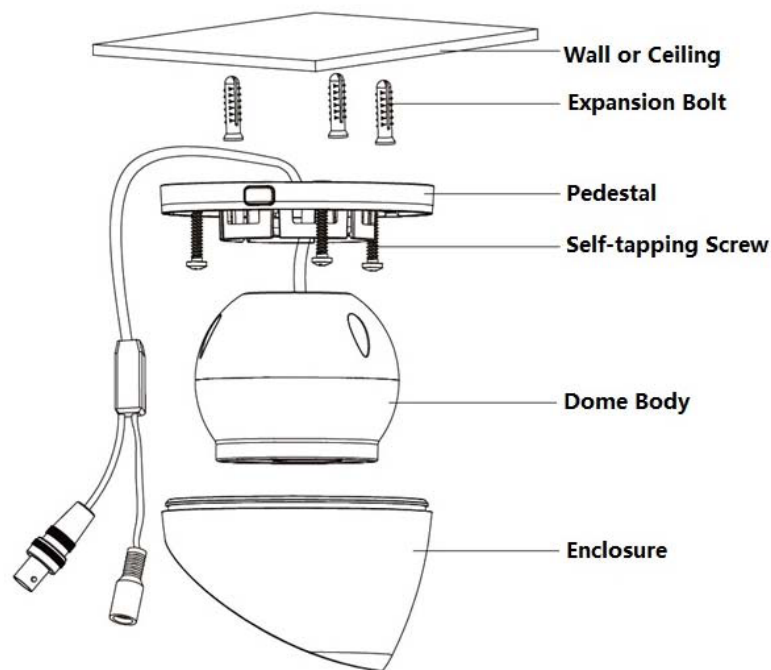
Single video input & 12VDC only models

There is only one video port for some cameras, which is shown in the image above; it outputs HD video signal by default, you'll need to enable self-adaptation function in the OSD menu to switch to standard definition (SD) video signal



1. Installing the camera

1. Please install the device in time after it is taken apart to avoid the camera module being exposed to damp environment for too long.
2. Before the installation, please make sure the installation surface is thick enough to sustain at least 3 x the weight of the camera.
3. For the installation mode of side outlet, make sure the direction of side outlet is in accordance with that of the installation position map when sticking the installation position map. Besides, pull the cable through the pedestal cable slot before locking the screw.



1.1 Follow these steps to install your camera (see image above)

1. Unscrew the locking screw counterclockwise to release the pedestal.
2. Take out the installation map found in the accessories bag, paste it on a ceiling or wall and dig holes on installation surface according to the position map.
3. Fix expansion bolts into the installation holes.
4. Adjust the pedestal location (pull the cable through side cable slot if it is side cable outlet).
5. Align the bolt fixing hole of device pedestal with the expansion bolt fixing holes of the installation surface; insert the self-tapping screws into the expansion bolts and secure them firmly to fix the pedestal on the installation surface (if it is top outlet, pull the cable through the outlet hole on the installation surface after the pedestal is fixed firmly).
6. Insert the enclosure into the pedestal together with the dome body, turn the locking screws clockwise and fix them preliminarily; rotate enclosure and dome body to a proper monitoring location.
7. Tighten the locking screws to fix it completely.
8. Your setup is complete!



Experience your moment of victory™

This quick install guide is for reference only. Slight difference may be found in user interface.

All the designs and software here are subject to change without prior written notice.

If there is any uncertainty or controversy, please refer to the final explanation of us.

Please visit our website or contact your local service engineer for more information.

www.securview.biz