

Adapter for Ceiling & Wall Mount Brackets

Model: VSBKTA100

Technical Specifications

Powder coated aluminium adapter to enable camera/bracket connection for ceiling and wall mount brackets.

| | |
|------------------------------|----------------------------|
| Model | VSBKTA100 |
| Materials | Aluminium |
| Dimensions | Ø151 x 37mm |
| Pipe Thread | 1½" PF |
| Operating Conditions | -40° ~ 60°C / 90% RH (max) |
| Load Bearing Capacity | N/A |
| Weather Resistance | N/A |
| Weight | 0.20kg |

Product specifications and bracket compatibility are subject to change.



Bracket Compatibility

This bracket is compatible with the following cameras from VIP Vision and/or Securview Victory Series.



VIP Vision™ IP Surveillance Cameras

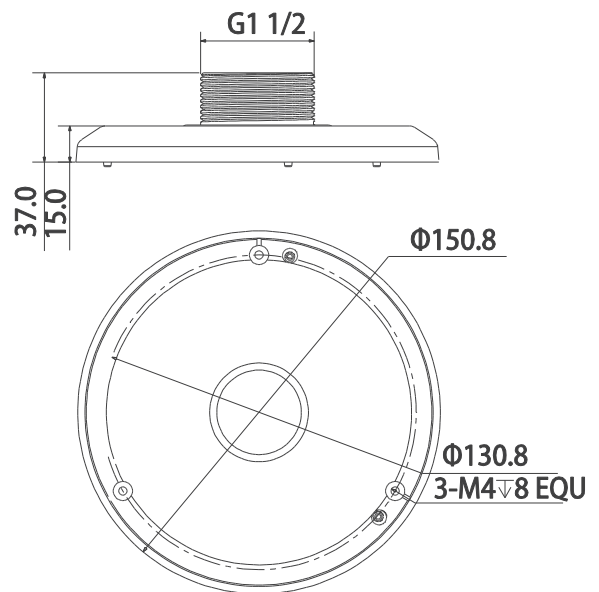
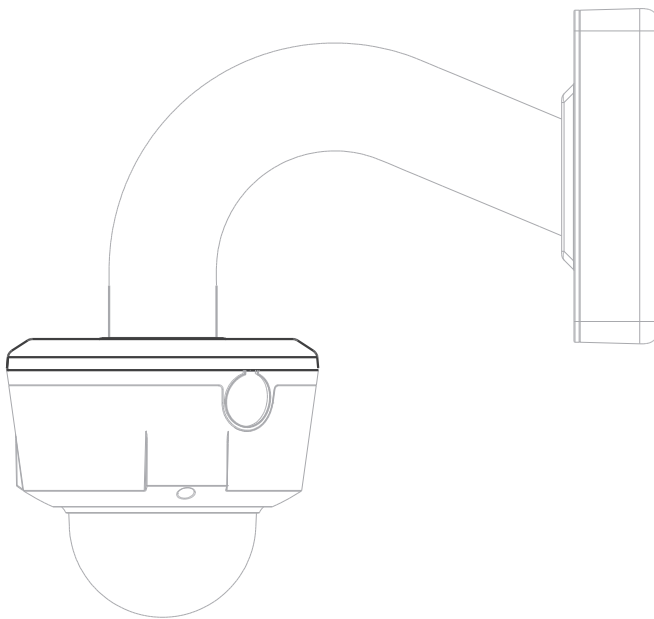
Adapter compatible with VSBKTB300C ceiling mount bracket and VSBKTB302S wall mount bracket.



Securview Victory Series™ HD Over Coax Cameras

Adapter compatible with VSBKTB300C ceiling mount bracket and VSBKTB302S wall mount bracket.

Product Diagrams



Your professional CCTV surveillance dealer: